



Model Numbers: **Penta Series**

Product Description:

Penta Series

Slow speed, high performance quintuplex pumps, designed for extended life operating at very high pressures.

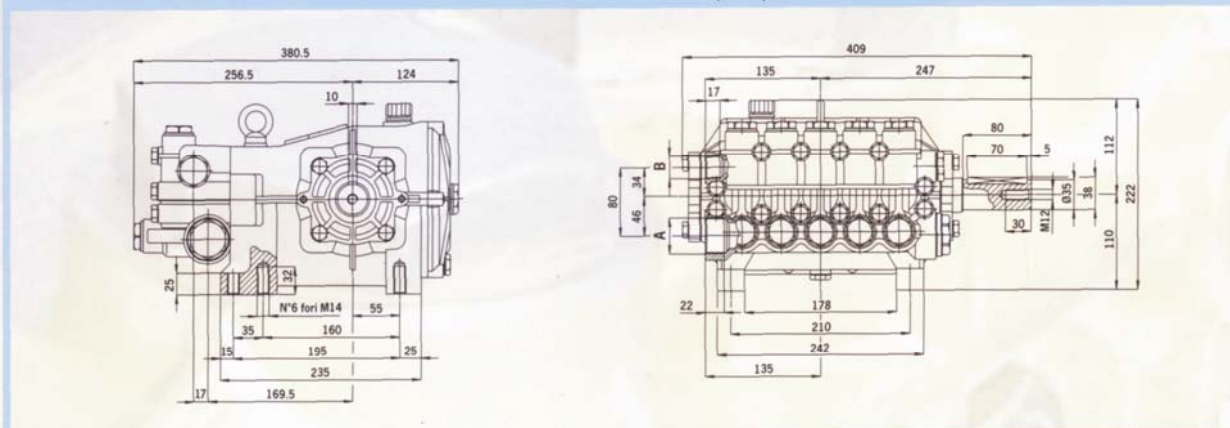
Maximum Flows 71lpm
 Maximum Pressure 5800 psi (400 bar)
 Max Speed 1450 rpm
 Shaft size mm



Penta Piston Pumps

Pump Model	Volume (l/min)	Pressure		RPM	Required HP		Weight (kg)	Part Number
		bar	psi		electric	petrol		
PENTA-B 25/400 R	25	400	5800	1000	25		42	PENTA-B 25/400 R
PENTA-B 25/350 R	25	350	5100	1000	22		42	PENTA-B 25/350 R
PENTA-B 30/300 R	30	300	4400	1000	23		42	PENTA-B 30/300 R
PENTA-B 40/250 R	39	250	3600	1000	25		42	PENTA-B 40/250 R
PENTA-B 50/200 R	49	200	3000	1000	25		42	PENTA-B 50/200 R
PENTA-C 35/400 R	35	400	5800	1450	36		42	PENTA-B 35/400 R
PENTA-C 35/350 R	35	350	5100	1450	32		42	PENTA-B 35/350 R
PENTA-C 43/300 R	43	300	4400	1450	33		42	PENTA-B 43/300 R
PENTA-C 55/250 R	56	250	3600	1450	36		42	PENTA-B 55/250 R
PENTA-C 70/200 R	71	200	3000	1450	36		42	PENTA-B 70/200 R

Overall Dimensions (mm)



Model	A (IN)	B (OUT)
PENTA-B 25/400 - PENTA-B 25/350 - PENTA-C 25/350	G 1"	G 1/2"
PENTA-B 30/300 - PENTA-B 40/250 - PENTA-C 43/300 - PENTA-C 55/250 - PENTA-C 70/200	G 1" 1/4	G 3/4"





Product Description:

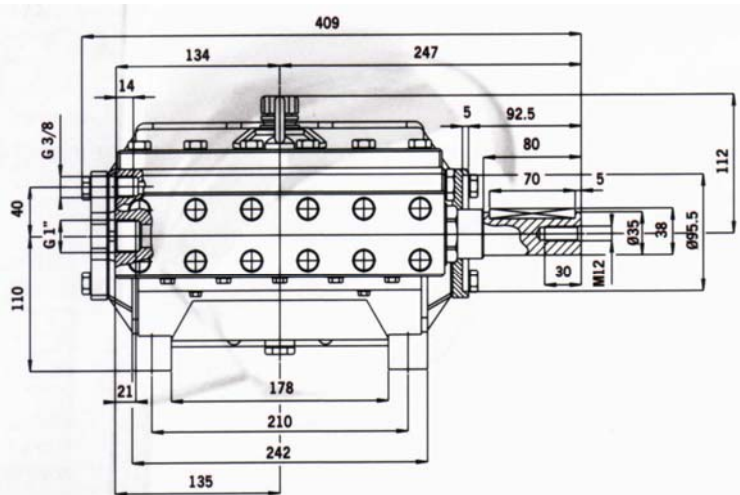
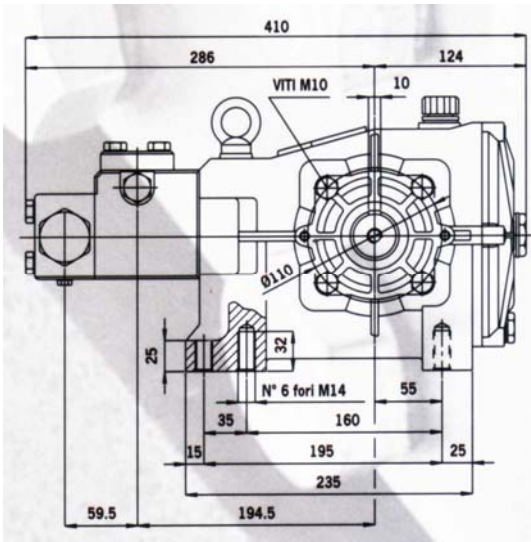
Penta Series

Maximum Flows 27 lpm
 Maximum Pressure 7300 psi (300 bar)
 Max Speed 1450 rpm
 Shaft size 35 mm



Penta Piston Pumps

Pump Model	Volume (l/min)	Pressure		RPM	Required HP		Weight (kg)	Part Number
		bar	psi		electric	petrol		
PENTA-B 20/500 R	19	500	7300	1000	25		47	PENTA-B 20/500 R
PENTA-C 27/500 R	27	500	7300	1450	35		47	PENTA-B 27/500 R





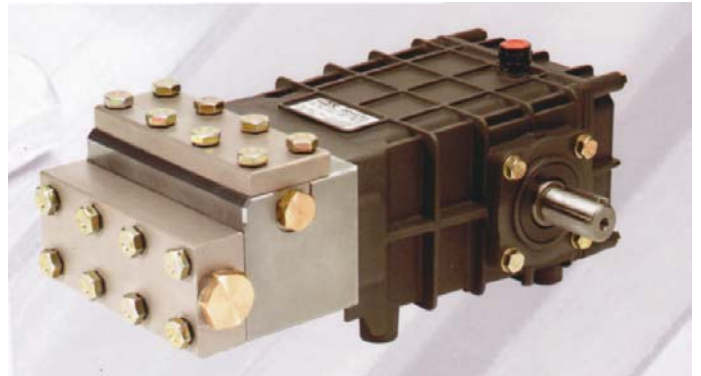
AUSSIE PENTA HIGH PRESSURE PUMPS

Model Numbers: **Penta GH Series**

Product Description:

Penta GH Series

Maximum Flows 116 pm
 Maximum Pressure 7300 psi (500 bar)
 Max Speed 1750 rpm
 Shaft size 24 mm



Penta Piston Pumps							
Pump Model	Volume (l/min)	Pressure		RPM	Required HP electric	Weight (kg)	Part Number
		bar	psi				
GHC 12/50 S	12	500	7300	1450	15	23	GHC 12/50 S
GHC 16/50 S	16	500	7300	1450	20	23	GHC 16/50 S
GHD 3.0/75 S	11.5	500	7300	1750	15	23	GHD 3.0/75 S
GHD 4.5/75 S	16	500	7300	1750	20	23	GHD 4.5/75 S

