



3" Self priming, stainless steel, electric drive, transfer pump with open style impeller.

Features

- ☑ Heavy duty cast construction
- ☑ Open style impeller
- ☑ Self primes from 6 metres
- ☑ Replaceable suction port
- ☑ Close coupled to a heavy duty TEFC three phase electric motor

Benefits

- ⇒ Long trouble free life
- ⇒ Pumps solids in suspension
- ⇒ Ready to pump in minimum amount of time
- ⇒ Easy to replace, easy access to check valve
- ⇒ Compact design for ease of installation

Applications

- Mine tailings dam pump out
- Aggressive water pumping
- Sewage handling
- Acid & solvent pumping
- Industrial food waste

Performance

| | |
|---------------------|---------------------------------|
| Max suction depth | 6m |
| Max temp of liquid | +70°C |
| Max solids diameter | 19 mm |
| Max delivery | 78 m ³ /h (1300 lpm) |
| Max pressure | 2.6 BAR (28m head) |
| Inlet/outlet | 3"G |

Construction

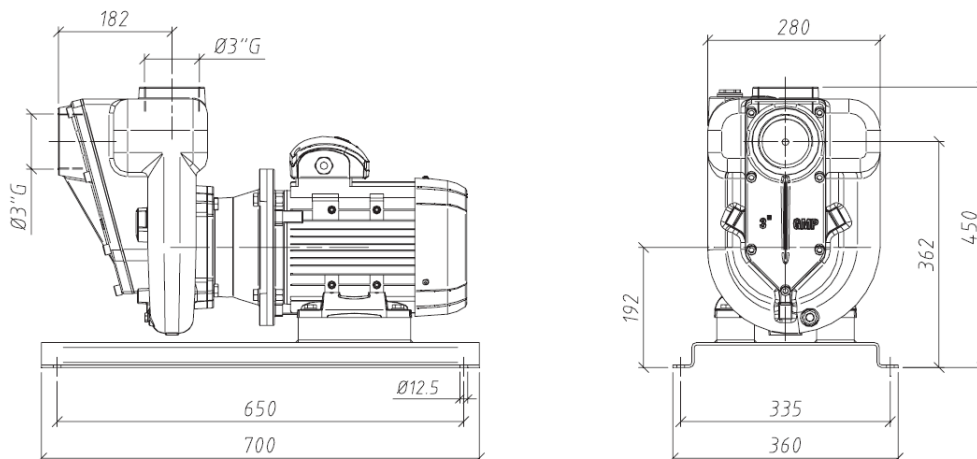
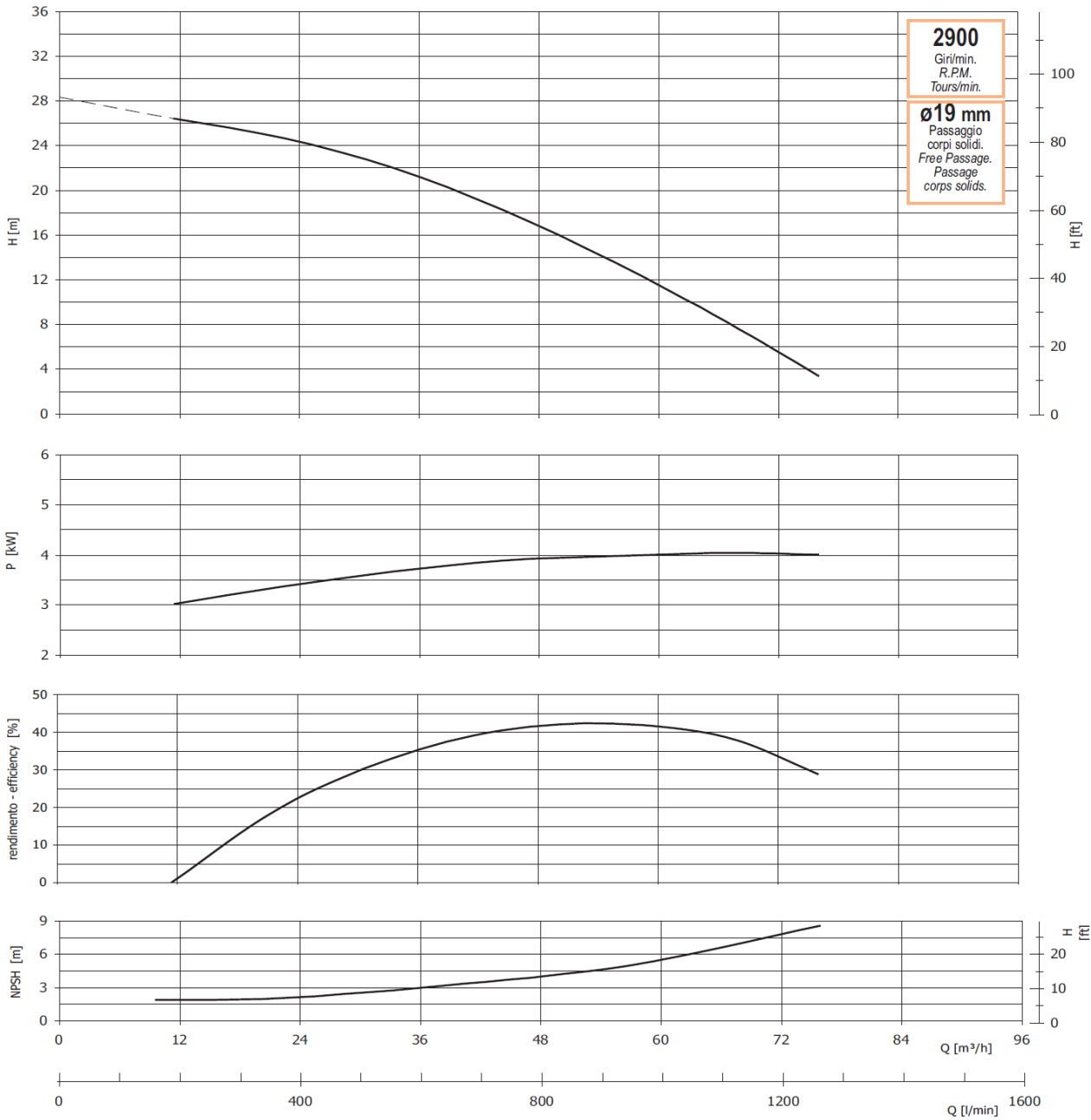
| | |
|-------------------|-----------------------------|
| Pump body | 316 Stainless steel |
| Valve body | 316 Stainless steel |
| Seal support disk | 316 Stainless steel |
| Impeller | 316 Stainless steel |
| Motor shaft | 316 Stainless steel |
| Seal | Nbr/Carbon/AISI 316/Alumina |

Technical Data

| | |
|-----------------------|-----------------|
| Model | B3XR-A/X |
| kW | 4 (three phase) |
| Frequency (Hz) | 50 |
| Rated Current (A) | 7.88/4.55 |
| Protection | IP55 |
| RPM | 2900 |
| Weight (Kg) | 78.5 |
| Boxed Dimensions (mm) | 410x770x645 |

Tolerance & curves according to UNI EN ISO 9906 attachment A

CAT EALP



Due to our program of continuous product development the manufacturer reserves the right to alter specifications without notice.