

CAT EA6F (3N)
EA6E (1N)



1½" Self priming, cast iron, electric drive, semi trash pump with open impeller.

Features

- ☑ Heavy duty cast construction
- ☑ Open non clog style impeller
- ☑ Self primes from 6 metres
- ☑ Front mounted clean out port
- ☑ Close coupled to a heavy duty TEFC three phase electric motor

Benefits

- ⇒ Long trouble free life
- ⇒ Pumps solids in suspension
- ⇒ Ready to pump in minimum amount of time
- ⇒ Pump clean out without pipe work
- ⇒ Compact design for ease of installation

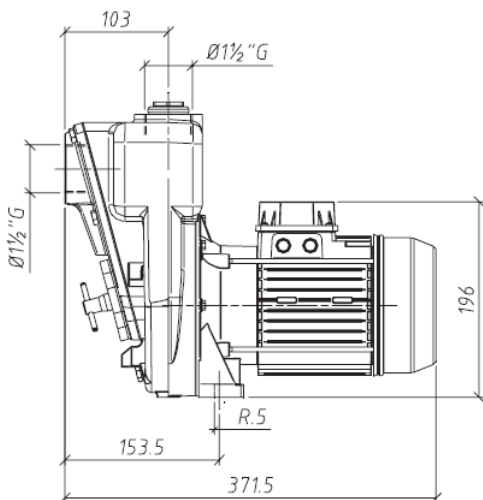
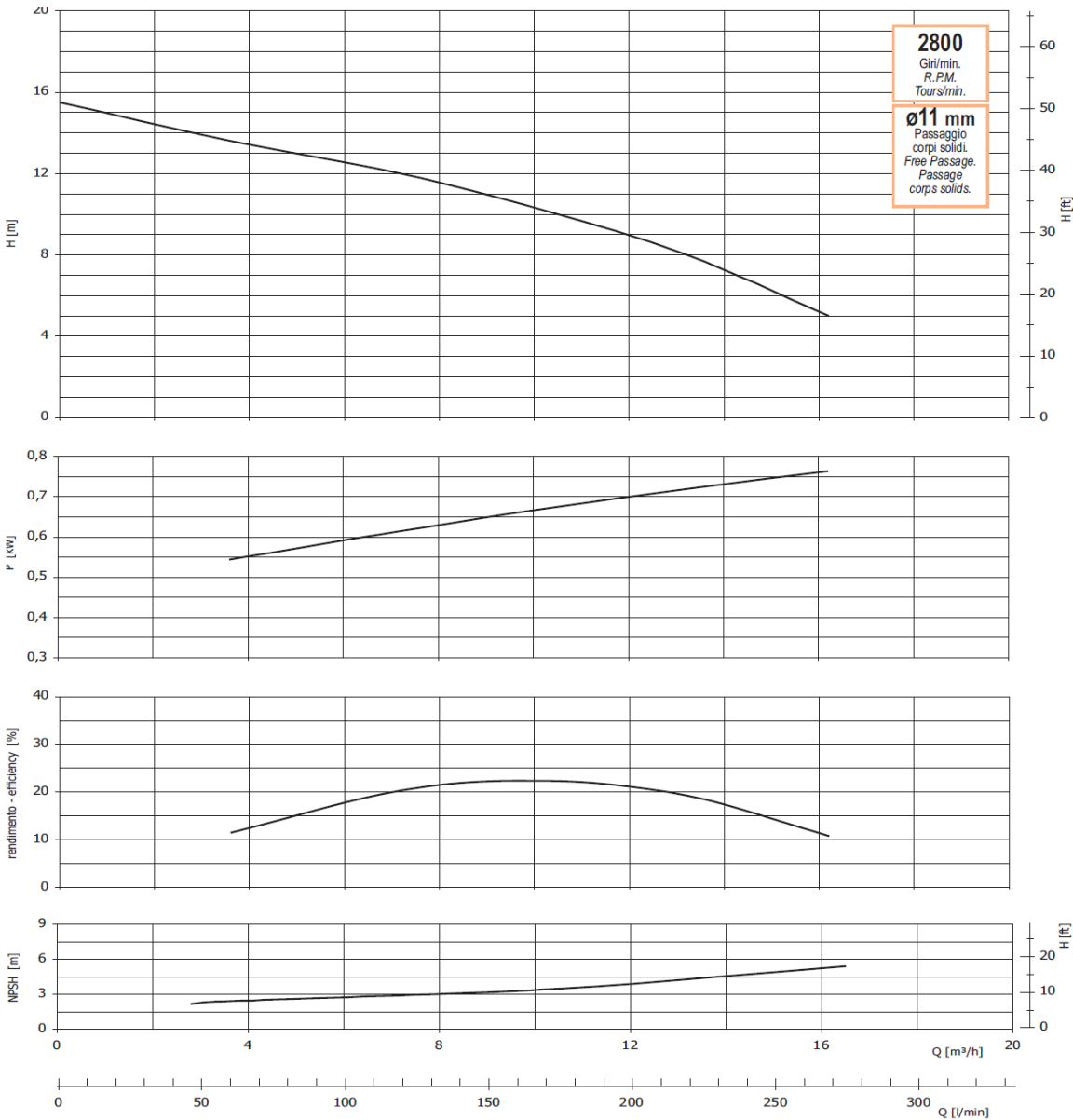
Applications

- Industrial waste pump out
- Livestock effluent pump out
- Public sewage works
- Abattoir waste pump out
- Piggeries, chicken processing, feed lots
- Wash bay water recirculation
- Batch plant recirculation
- Mineral processing
- Quarry dewatering

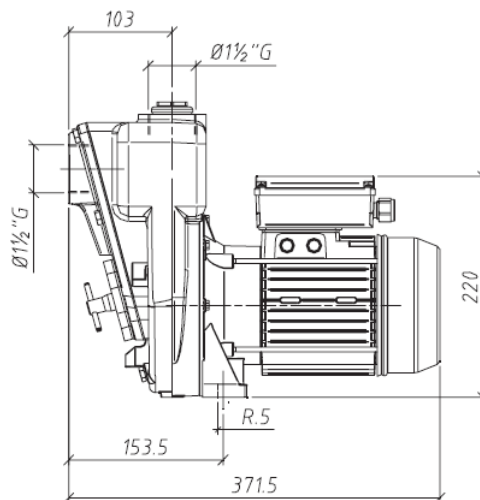
Performance		Construction		Technical Data		
Max suction depth	6m	Pump body	Cast Iron	Model	B1½KQ-A/ST (EA6E)	B1½KQ-A/ST (EA6F)
Max temp of liquid	+70°C	Valve body	Cast Iron	kW	0.75 (single phase)	0.75 (three phase)
Max solids diameter	11 mm	Support	Cast Iron	Frequency (Hz)	50	50
Max delivery	16m ³ /h (270 lpm)	Impeller	Cast Iron	Rated Current (A)	6.2	3/1.8
Max pressure	1.5 BAR (15m head)	Motor shaft	316 Stainless steel	Protection	IP54	IP54
Inlet/outlet	1½"G	Seal	Silicon Carbide/Nbr/Alumina	RPM	2800	2800
				Weight (Kg)	20	20
				Boxed Dimensions (mm)	210x450x400	210x450x400

Tolerance & curves according to UNI EN ISO 9906 attachment A

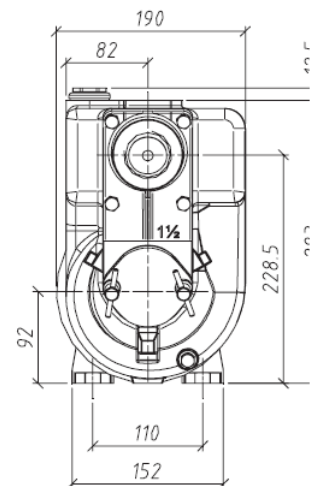
CAT EA6F (3N)
EA6E (1N)



EA6F (3N)



EA6E (1N)



Due to our program of continuous product development the manufacturer reserves the right to alter specifications without notice.