

4" high pressure transfer pump with twin impellers

Features

- Twin single piece closed impellers
- Self primes from 7 metres
- Replaceable suction port & delivery elbow
- Close coupled to a Honda GX390 13HP petrol engine with electric start
- Full frame with integrated lifting handles

Benefits

- ⇒ High pressure performance
- ⇒ Ready to pump in minimum amount of time
- ⇒ Easy to replace, easy access to check valve for servicing, versatile discharge options
- ⇒ Easy start, 3 year international warranty
- ⇒ Protects unit & facilitates moving

Applications

- High pressure water transfer
- Irrigation
- Fire fighting
- High pressure spraying

Performance

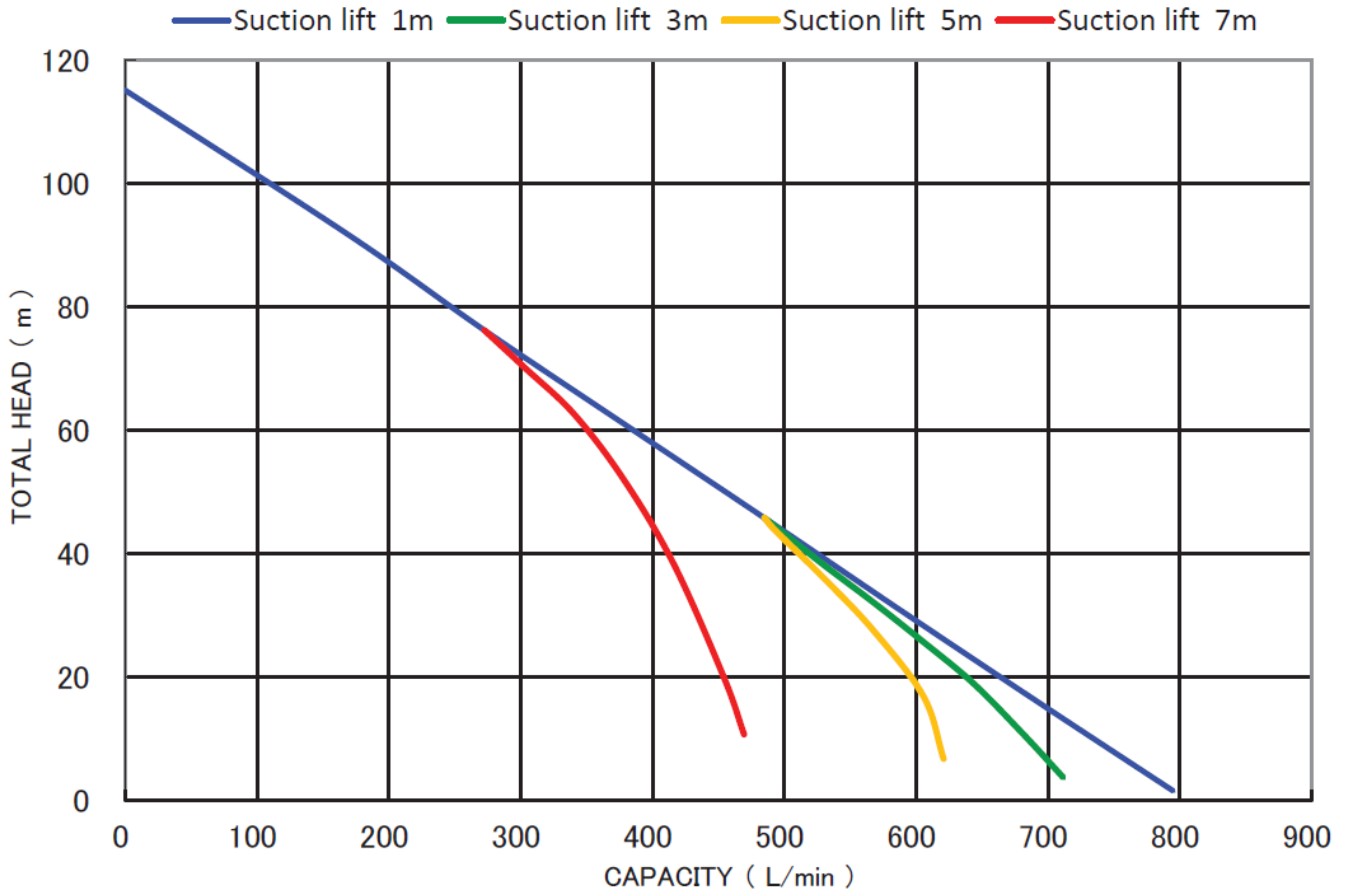
Max suction depth	7m
Max delivery	795 lpm
Max pressure	115m
Inlet/outlet	4" / 3 way (1x4, 2x3")

Construction

Front case & back plate	Marine grade aluminium
Impeller & Volute	Marine grade aluminium
Mechanical seal	Twin Silicon Carbide
Outlet	Marine grade aluminium
Casing bolts	Zinc plated steel
Check valve & seals	Nitrile rubber
Priming & drain plugs	Polycarbonate
Finish	Painted

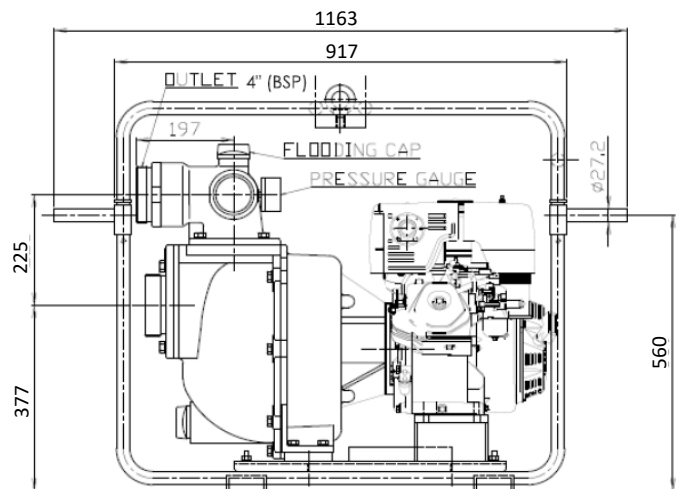
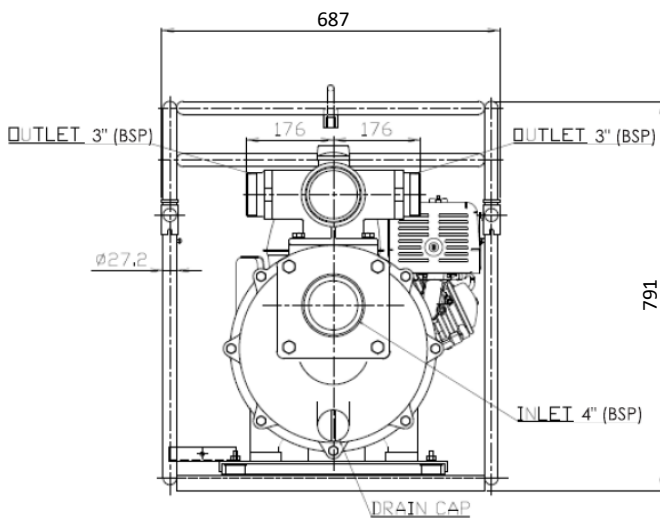
Technical Data

Model	QPT405SLT/GX390E
Make of engine	Honda GX390
Engine type	4 stroke air cooled petrol engine
Continuous power output (kW)	8.7 (13HP)
RPM	3600
Weight (Kg)	141 144 (long range)
Boxed Dimensions (mm)	930x690x800 950x750x980 (long range)



*The datas herein specified: Measured under the below conditions & the method of the measurement as per JIS8301. ⇒Performance Allowance: Head downto -5% Flow downto -7%

Conditions of Measurement			Facility & Tools [□ The photo of the testing facility as per the attached]			
Temperature : 20°C±15°C	Handling liquid : Water	Actual suction lift : 1m	Measurement method of pump flow	Electromagnetic flowmeter	Piping	PVC (Polyvinyl chloride)
Altitude : Less than 0~100m	Liquid Temperature : 0-40°C	Discharge pipe diameter : 4"[100mm]	Pressure monitoring measures	Digital pressure gauge	—	—



Due to our program of continuous product development the manufacturer reserves the right to alter specifications without notice.