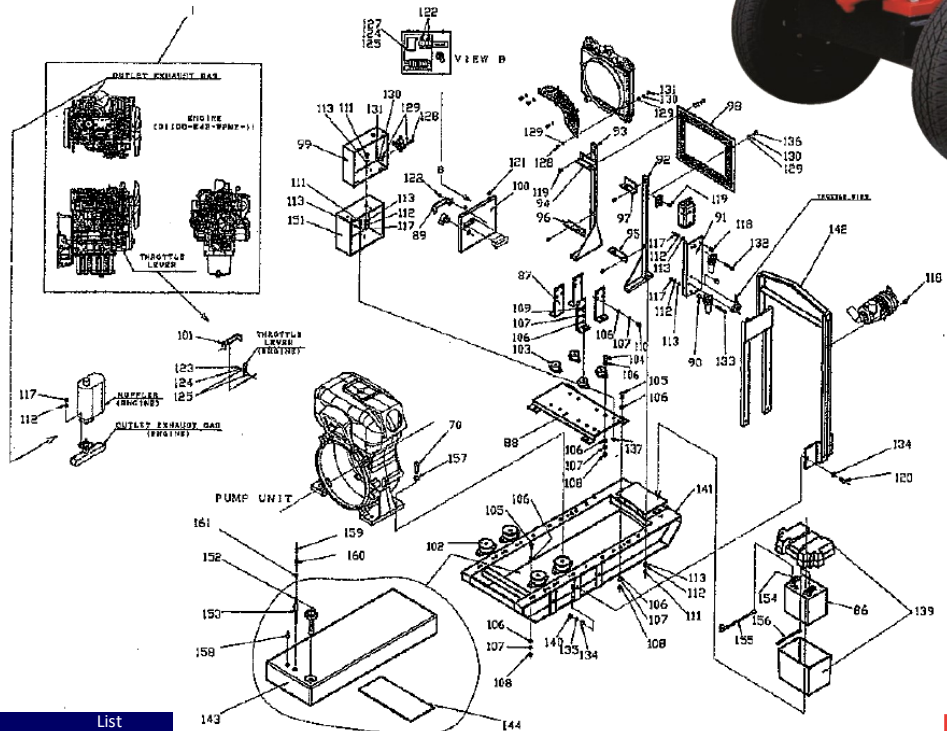
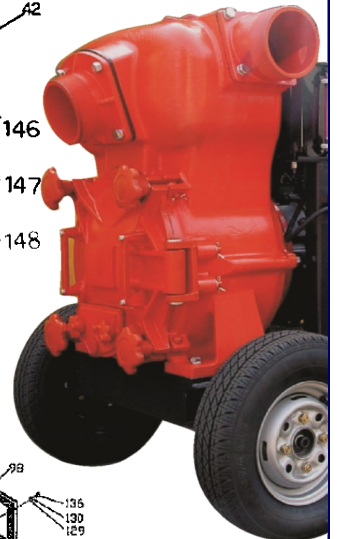
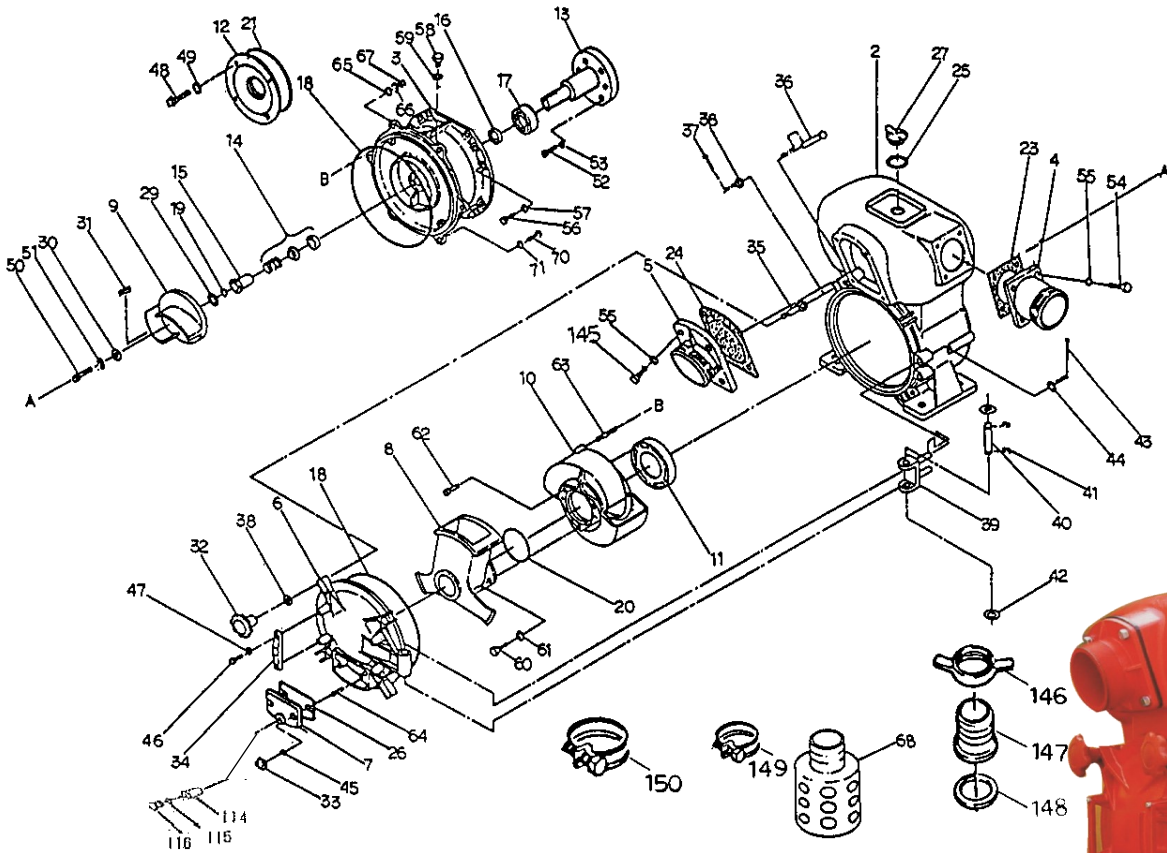


Aussie Pumps

AUSSIE SPARES DIAGRAM & PARTS LIST

AUSSIE QP TRANSFER PUMPS: QP-60TD (KUBOTA D1105 & KOHLER)



Replacement Kits

Part number	Description	Positions	List Price
Q60TDREJ	Rejuvenation Kit	14, 16, 17, 18, 19, 20, 21, 25, 26, 29, 30, 31, 50, 51	\$1,900
Q60TD-ORKT	O-ring kit	16, 18, 19, 20, 21, 23, 25, 26, 29,	\$256

Purchase a kit and **SAVE** on buying individual parts



Aussie Pumps

AUSSIE SPARES DIAGRAM & PARTS LIST

AUSSIE QP TRANSFER PUMPS: QP-60TD (KUBOTA D1105 & KOHLER)

Pos	Part number	Description	Qty	List price
1	D1105-E4B-WPME-1	ENGINE D1105	1	
2	Q2601-000010-0001	CASING	1	\$15,099
3	Q2620-000024-0001	CASING COVER	1	\$4,140
4	Q4601-000090-0001	DELIVERY COVER	1	\$1,218
5	Q4601-000160-0001	SUCTION COVER	1	\$1,462
6	Q2608-000170-0001	DRAIN COVER	1	\$3,774
7	Q2601-000210-0001	DRAIN COVER-B	1	\$310
8	Q2601-000800	SUCTION CASE	1	\$2,009
9	Q2647-000030	IMPELLER	1	\$1,218
10	Q2620-000130	VOLUTE CASING	1	\$2,995
11	Q4607-000700	WEAR PLATE	1	\$1,340
12	Q4607-000751	MECHANICAL SEAL HOUSING	1	\$305
13	Q4607-221012	PUMP SHAFT	1	\$2,168
14	Q080133-4545	MECHANICAL SEAL	1	\$1,750
15	Q081138-4576	MECHANICAL SEAL SLEEVE	1	\$730
16	Q086245-6209	OIL SEAL		\$74
17	Q067002-6209	BALL BEARING	1	\$274
18	Q048360-4300	O-RING (CASING, DRAIN COVER)	2	\$91
19	Q048035-0380	O-RING (MECANICAL SEAL SLEEVE)	1	\$7
20	Q048057-1400	O-RING (VOLUTE CASING)	1	\$30
21	Q048220-1000	O-RING (MECANICAL SEAL HOUSING)	1	\$15
23	Q1601-330360	PACKING (DELIVERY COVER)	1	\$46
24	Q1601-350350	CHECK VALVE	1	\$597
25	Q074132-0503	PACKING (FLOODING CAP)	1	\$11
26	Q1601-330380	PACKING (DRAIN COVER-B)	1	\$65
27	Q063121-1202-0002	FLOODING CAP	1	\$158
29	Q085285-6439	ADJUST LINER	3	\$36
30	Q4607-201240-0011	IMPELLER WASHER	1	\$19
31	Q051108-1054	KEY	1	\$24
32	Q2601-000190-0001	DRAIN COVER SET HANDLE	4	\$195
33	Q2601-000220-0001	DRAIN COVER SET-B SET HANDLE	2	\$98
34	Q1247-100250-0001	DRAIN COVER HANDLE	2	\$44
35	Q2601-200270-0001	HINGE BOLT	4	\$98
36	Q2601-200280-0001	HINGE PIN	4	\$39
37	Q064140-0430	SPLIT PIN	4	\$1
39	Q2601-200260-0001	DRAIN COVER SET HINGE	1	\$840
40	Q2601-200300-0001	HINGE SET PIN	1	\$128
41	Q046272-1915	E-RING	2	\$6
42	Q040145-0200	WASHER	2	\$2
43	Q064230-0528	SPLIT PIN	2	\$2
44	Q040145-0160	WASHER	12	\$1
45	Q040145-0120	WASHER	2	\$1
46	Q014105-0825	SCREW (DRAIN COVER HANDLE)	4	\$1
47	Q045125-0080	SPRING WASHER	4	\$1
48	Q010509-0820	BOLT (MECHANICAL SEAL HOUSING)	4	\$3
49	Q045129-0080	SPRING WASHER	4	\$1
50	Q010509-1225	BOLT (IMPELLER)	1	\$9
51	Q045129-0120	SPRING WASHER	1	\$2
52	Q019116-0538	BOLT	6	\$3
53	Q045125-0080	SPRING WASHER	6	tba
54	Q010505-1645	BOLT (DELIVERY COVER)	4	\$13
55	Q045125-0160	SPRING WASHER	8	\$1
56	Q019116-0632	BOLT (CASING COVER)	8	\$6
57	Q045125-0100	SPRING WASHER	8	\$1
58	Q010505-2030-0001	BOLT (OIL CAP)	3	\$79
59	Q4607-287110	OIL CAP WASHER	3	\$7
60	Q010509-1030	BOLT (SUCTION CASE)	2	\$9
61	Q045129-0100	SPRING WASHER	2	\$1
62	Q013119-1020	CAP SCREW (WEAR PLATE)	3	\$9
63	Q015116-1035	STUD BOLT (VOLUTE CASING)	2	\$43
64	Q015115-1230	STUD BOLT (DRAIN COVER-B)	2	\$11
65	Q045822-0100	SEAL WASHER	2	\$13
67	Q020445-0100	U-NUT	2	\$7
68	Q074221-1150	STRAINER		\$1,096
70	Q010505-1655	BOLT	10	\$7
71	Q045125-0160	SPRING WASHER	6	\$2
86	Q096120-50520	BATTERY	1	\$1,219
87	Q2647-204320-C014	ENGINE BRACKET	4	\$374
88	Q2647-214020-C014	ENGINE BASE	1	\$845
89	Q2647-204360-C014	FUSE BRACKET	1	\$31
90	Q2647-200580-C014	FILTER COLLAR	1	\$46
91	QQ2647-204380-C014	FILTER SET PLATE	1	\$60

Pos	Part number	Description	Qty	List price
92	Q2647-214180-C014	RADIATOR BRACKET 1	1	\$528
93	Q2647-214190-C014	RADIATOR BRACKET 2	1	\$504
94	Q2647-204800-C014	RADIATOR BRACKET 3	1	\$37
95	Q2647-204810-C014	RADIATOR BRACKET 4	1	\$37
96	Q2647-204820-0014	RADIATOR BRACKET 5	1	\$37
97	Q2647-204830-C014	RADIATOR BRACKET S	1	\$30
98	Q2647-214140-C014	RADIATOR GUARD	1	\$287
99	Q2647-212610-C014	CONTROL BOX	1	\$799
100	Q2647-212600-C014	CONTROL BOX COVER	1	\$547
101	Q2647-207060-C014	THROTTLE BRACKET	1	\$33
102	Q072330-5010	CUSHION REBBER	4	\$406
103	Q072330-2750	CUSHION REBBER	4	\$176
104	Q010505-1025	BOLT	8	\$2
105	Q010505-1030	BOLT	12	\$2
106	Q040145-0100	WASHER	60	
107	Q045125-0100	SPRING WASHER	40	
108	Q020545-0100	NUT	20	\$1
109	Q010505-1020	BOLT	4	\$1
110	Q010709-1025	BOLT	16	\$8
111	Q010505-0820	BOLT	14	\$1
112	Q045125-0080	SPRING WASHER	16	
113	Q040145-0080	WASHER	20	
114	Q082122-0820	ZINC STICK	1	
115	Q074430-0251	PACKING	1	\$116
116	Q063122-1106	DRAIN CAP	1	
117	Q020545-0080	NUT	10	
118	Q010506-0820	HEXAGON HEAD SCREW W/CAPTIVE WASHER	4	\$2
119	Q010506-0616	HEXAGON HEAD SCREW W/CAPTIVE WASHER	12	\$1
120	Q010505-1235	BOLT	4	\$2
121	Q014309-0510	TRUSS HEAD SCREW HEXAGON HEAD SCREW W/CAPTIVE WASHER	4	\$1
122	Q010506-0510	WASHER	4	\$1
123	Q014105-0512	SCREW	1	
124	Q045125-0050	SPRING WASHER	3	
125	Q040145-0050	WASHER	4	
127	Q010505-0535	BOLT	2	\$1
128	Q010505-0616	BOLT	6	\$1
129	Q040145-0060	WASHER	16	
130	Q045125-0060	SPRING WASHER	10	
131	Q020545-0060	NUT	6	
132	Q010505-0865	BOLT		\$1
133	Q010505-0880	BOLT	1	\$1
134	Q040145-0120	WASHER	8	
135	Q045125-0120	SPRING WASHER	4	
136	Q010505-0620	BOLT	4	\$1
137	Q020915-0080	FLANGE NUT	4	\$1
139	Q7308-805200	BATTERY BOX	1	\$284
UO	Q020545-0120	NUT	4	\$1
141	Q2647-214030	SKID BASE	1	\$5,417
142	Q2647-214150	LIFTING VEIL	1	\$5,146
143	Q2647-800900	FUEL TANK	1	\$2,167
144	Q2647-338500	RUBBER PLATE	6	\$284
145	Q010505-1655	BOLT(SUCTION COVER)	4	\$5
146	Q074111-0150	HOSE COUPLING	2	\$406
147	Q074124-0150	HOSE JOINT	2	\$206
148	Q074132-1501	HOSE COUPLING PACKING	2	\$68
149	Q093225-0160	WIRE HOSE BAND	1	\$14
150	Q093225-6000	WIRE HOSE BAND	2	\$19
151	Q2647-213950-C014	CONTROL BOX STAND	1	\$200
152	Q2647-801040	FUEL CAP	1	\$758
153	Q2647-801050	PIPE FOR FUEL (SUCTION)	1	\$130
154	Q096903-3000	BATTERY TERMINAL		\$80
155	Q097890-9800	BATTERY CORD (PLUS)	1	\$184
156	Q097209-9720	BATTERY CORD (MINUS)	1	\$176
157	Q045125-0160	SPRING WASHER	4	\$1
158	Q2647-286320	HOSE NIPPLE	1	\$43
159	Q074428-7211	REDUSER JOINT	1	\$70
160	Q094206-1012	FUEL HOSE	1	\$11
161	Q093720-0008	HOSE BAND (cp8.5)	1	\$1
162	Q2647-996800	HARNES SET	1	\$1,625
163	QC30000-0013	EMERGENCY STOP BUTTON	1	\$214
164	Q2647-280580	HEXAGON SPACER	1	\$33
165	Q2647-281060	FUEL PIPE JOINT SET	1	\$51