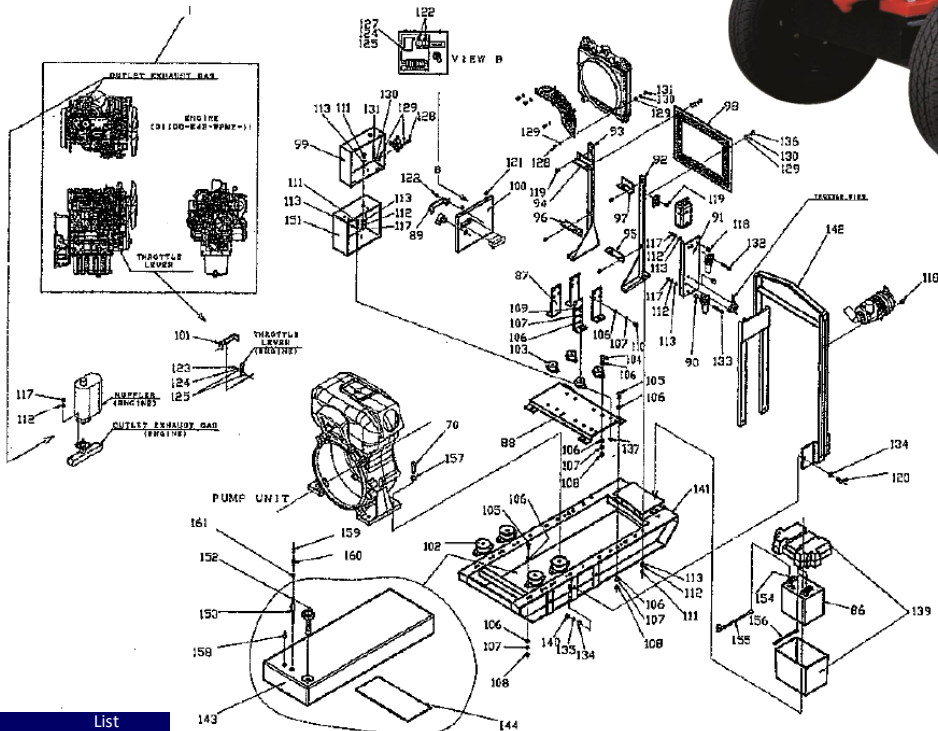
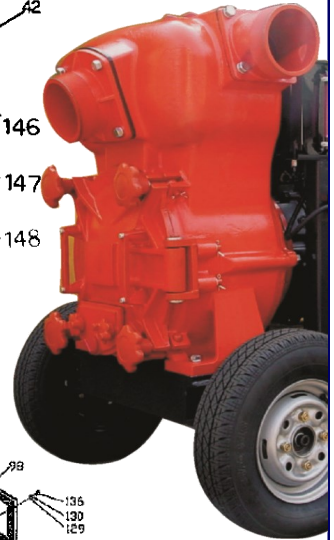
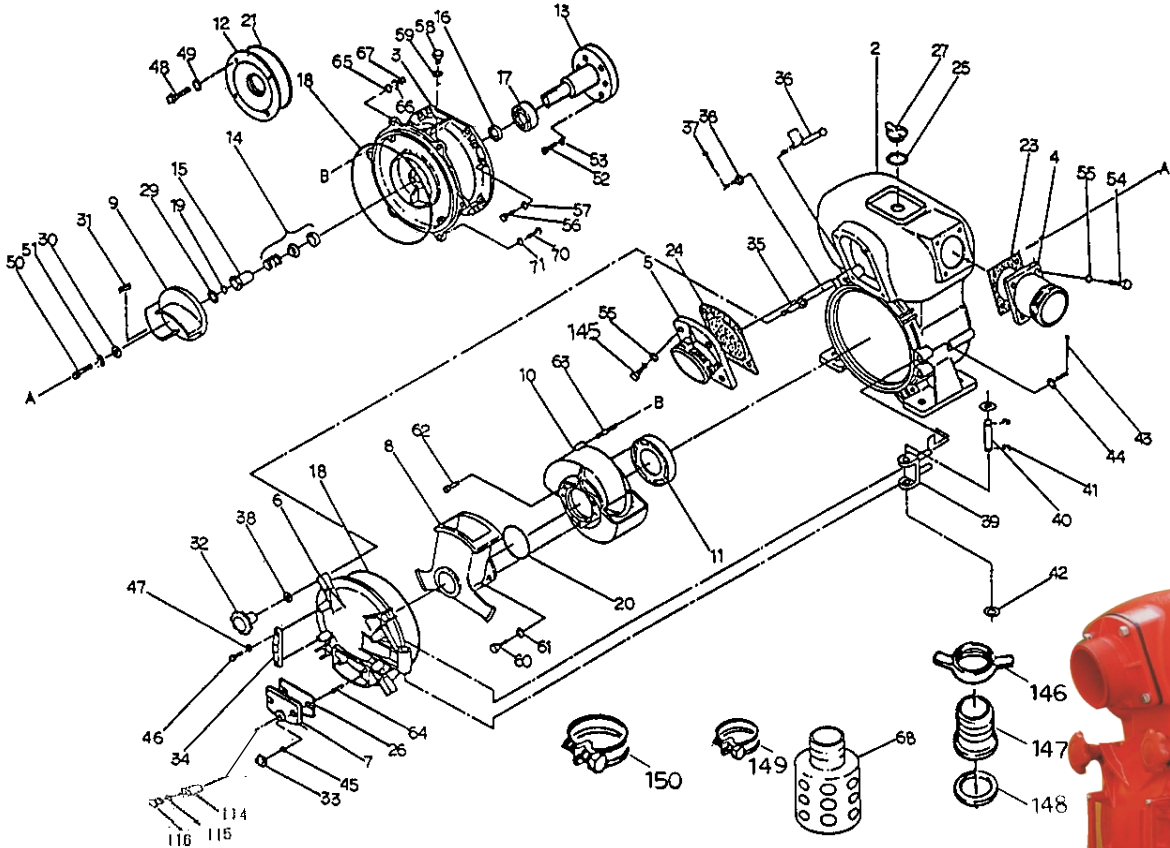


Aussie Pumps

AUSSIE SPARES DIAGRAM & PARTS LIST

AUSSIE QP TRANSFER PUMPS: QP-60TD (KUBOTA D1105 & KOHLER)



Replacement Kits

Part number	Description	Positions	List Price
Q60TDREJ	Rejuvenation Kit	14, 16, 17, 18, 19, 20, 21, 25, 26, 29, 30, 31, 50, 51	\$2,132
Q60TD-ORKT	O-ring kit	16, 18, 19, 20, 21, 23, 25, 26, 29,	\$354

Purchase a kit and **SAVE** on buying individual parts



Aussie Pumps

AUSSIE SPARES DIAGRAM & PARTS LIST

AUSSIE QP TRANSFER PUMPS: QP-60TD (KUBOTA D1105 & KOHLER)

Pos	Part number	Description	Qty	List price
1	D1105-E4B-WPME-1	ENGINE D1105	1	-
2	Q2601-000010-0001	CASING	1	\$19,021
3	Q2620-000024-0001	CASING COVER	1	\$5,217
4	Q4601-000090-0001	DELIVERY COVER	1	\$1,536
5	Q4601-000160-0001	SUCTION COVER	1	\$1,843
6	Q2608-000170-0001	DRAIN COVER	1	\$4,756
7	Q2601-000210-0001	DRAIN COVER-B	1	\$391
8	Q2601-000800	SUCTION CASE	1	\$2,532
9	Q2647-000030	IMPELLER	1	\$1,536
10	Q2620-000130	VOLUTE CASING	1	\$3,774
11	Q4607-000700	WEAR PLATE	1	\$1,690
12	Q4607-000751	MECHANICAL SEAL HOUSING	1	\$386
13	Q4607-221012	PUMP SHAFT	1	\$2,733
14	Q080133-4545	MECHANICAL SEAL	1	\$2,206
15	Q081138-4576	MECHANICAL SEAL SLEEVE	1	\$922
16	Q086245-6209	OIL SEAL		\$94
17	Q067002-6209	BALL BEARING	1	\$346
18	Q048360-4300	O-RING (CASING, DRAIN COVER)	2	\$116
19	Q048035-0380	O-RING (MECANICAL SEAL SLEEVE)	1	\$10
20	Q048057-1400	O-RING (VOLUTE CASING)	1	\$39
21	Q048220-1000	O-RING (MECANICAL SEAL HOUSING)	1	\$21
23	Q1601-330360	PACKING (DELIVERY COVER)	1	\$59
24	Q1601-350350	CHECK VALVE	1	\$753
25	Q074132-0503	PACKING (FLOODING CAP)	1	\$15
26	Q1601-330380	PACKING (DRAIN COVER-B)	1	\$84
27	Q063121-1202-0002	FLOODING CAP	1	\$200
29	Q085285-6439	ADJUST LINER	3	\$47
30	Q4607-201240-0011	IMPELLER WASHER	1	\$25
31	Q051108-1054	KEY	1	\$32
32	Q2601-000190-0001	DRAIN COVER SET HANDLE	4	\$247
33	Q2601-000220-0001	DRAIN COVER SET-B SET HANDLE	2	\$125
34	Q1247-100250-0001	DRAIN COVER HANDLE	2	\$57
35	Q2601-200270-0001	HINGE BOLT	4	\$125
36	Q2601-200280-0001	HINGE PIN	4	\$51
37	Q064140-0430	SPLIT PIN	4	\$3
39	Q2601-200260-0001	DRAIN COVER SET HINGE	1	\$1,060
40	Q2601-200300-0001	HINGE SET PIN	1	\$164
41	Q046272-1915	E-RING	2	\$9
42	Q040145-0200	WASHER	2	\$4
43	Q064230-0528	SPLIT PIN	2	\$4
44	Q040145-0160	WASHER	12	\$3
45	Q040145-0120	WASHER	2	\$3
46	Q014105-0825	SCREW (DRAIN COVER HANDLE)	4	\$3
47	Q045125-0080	SPRING WASHER	4	\$3
48	Q010509-0820	BOLT (MECHANICAL SEAL HOUSING)	4	\$5
49	Q045129-0080	SPRING WASHER	4	\$3
50	Q010509-1225	BOLT (IMPELLER)	1	\$12
51	Q045129-0120	SPRING WASHER	1	\$4
52	Q019116-0538	BOLT	6	\$5
53	Q045125-0080	SPRING WASHER	6	#VALUE!
54	Q010505-1645	BOLT (DELIVERY COVER)	4	\$19
55	Q045125-0160	SPRING WASHER	8	\$3
56	Q019116-0632	BOLT (CASING COVER)	8	\$9
57	Q045125-0100	SPRING WASHER	8	\$3
58	Q010505-2030-0001	BOLT (OIL CAP)	3	\$101
59	Q4607-287110	OIL CAP WASHER	3	\$10
60	Q010509-1030	BOLT (SUCTION CASE)	2	\$12
61	Q045129-0100	SPRING WASHER	2	\$3
62	Q013119-1020	CAP SCREW (WEAR PLATE)	3	\$12
63	Q015116-1035	STUD BOLT (VOLUTE CASING)	2	\$56
64	Q015115-1230	STUD BOLT (DRAIN COVER-B)	2	\$15
65	Q045822-0100	SEAL WASHER	2	\$19
67	Q020445-0100	U-NUT	2	\$10
68	Q074221-1150	STRAINER		\$1,382
70	Q010505-1655	BOLT	10	\$10
71	Q045125-0160	SPRING WASHER	6	\$4
86	Q096120-50520	BATTERY	1	\$1,537
87	Q2647-204320-C014	ENGINE BRACKET	4	\$472
88	Q2647-214020-C014	ENGINE BASE	1	\$1,066
89	Q2647-204360-C014	FUSE BRACKET	1	-
90	Q2647-200580-C014	FILTER COLLAR	1	\$59
91	QQ2647-204380-C014	FILTER SET PLATE	1	\$77

Pos	Part number	Description	Qty	List price
92	Q2647-214180-C014	RADIATOR BRACKET 1	1	\$667
93	Q2647-214190-C014	RADIATOR BRACKET 2	1	\$637
94	Q2647-204800-C014	RADIATOR BRACKET 3	1	\$48
95	Q2647-204810-C014	RADIATOR BRACKET 4	1	\$48
96	Q2647-204820-0014	RADIATOR BRACKET 5	1	\$48
97	Q2647-204830-C014	RADIATOR BRACKET S	1	\$39
98	Q2647-214140-C014	RADIATOR GUARD	1	\$362
99	Q2647-212610-C014	CONTROL BOX	1	\$1,008
100	Q2647-212600-C014	CONTROL BOX COVER	1	\$691
101	Q2647-207060-C014	THROTTLE BRACKET	1	\$43
102	Q072330-5010	CUSHION REBBER	4	\$513
103	Q072330-2750	CUSHION REBBER	4	\$224
104	Q010505-1025	BOLT	8	\$4
105	Q010505-1030	BOLT	12	\$4
106	Q040145-0100	WASHER	60	-
107	Q045125-0100	SPRING WASHER	40	-
108	Q020545-0100	NUT	20	\$3
109	Q010505-1020	BOLT	4	\$3
110	Q010709-1025	BOLT	16	\$11
111	Q010505-0820	BOLT	14	\$3
112	Q045125-0080	SPRING WASHER	16	-
113	Q040145-0080	WASHER	20	-
114	Q082122-0820	ZINC STICK	1	-
115	Q074430-0251	PACKING	1	\$148
116	Q063122-1106	DRAIN CAP	1	-
117	Q020545-0080	NUT	10	-
118	Q010506-0820	HEXAGON HEAD SCREW W/CAPTIVE WASHER	4	\$4
119	Q010506-0616	HEXAGON HEAD SCREW W/CAPTIVE WASHER	12	\$3
120	Q010505-1235	BOLT	4	\$4
121	Q014309-0510	TRUSS HEAD SCREW HEXAGON HEAD SCREW W/CAPTIVE WASHER	4	\$3
122	Q010506-0510	WASHER	4	\$3
123	Q014105-0512	SCREW	1	-
124	Q045125-0050	SPRING WASHER	3	-
125	Q040145-0050	WASHER	4	-
127	Q010505-0535	BOLT	2	\$3
128	Q010505-0616	BOLT	6	\$3
129	Q040145-0060	WASHER	16	-
130	Q045125-0060	SPRING WASHER	10	-
131	Q020545-0060	NUT	6	-
132	Q010505-0865	BOLT		\$3
133	Q010505-0880	BOLT	1	\$3
134	Q040145-0120	WASHER	8	-
135	Q045125-0120	SPRING WASHER	4	-
136	Q010505-0620	BOLT	4	\$3
137	Q020915-0080	FLANGE NUT	4	\$3
139	Q7308-805200	BATTERY BOX	1	\$359
140	Q020545-0120	NUT	4	\$3
141	Q2647-214030	SKID BASE	1	\$6,826
142	Q2647-214150	LIFTING VEIL	1	\$6,484
143	Q2647-800900	FUEL TANK	1	\$2,732
144	Q2647-338500	RUBBER PLATE	6	\$359
145	Q010505-1655	BOLT(SUCTION COVER)	4	\$8
146	Q074111-0150	HOSE COUPLING	2	\$513
147	Q074124-0150	HOSE JOINT	2	\$261
148	Q074132-1501	HOSE COUPLING PACKING	2	\$87
149	Q093225-0160	WIRE HOSE BAND	1	\$20
150	Q093225-6000	WIRE HOSE BAND	2	\$25
151	Q2647-213950-C014	CONTROL BOX STAND	1	\$253
152	Q2647-801040	FUEL CAP	1	\$956
153	Q2647-801050	PIPE FOR FUEL (SUCTION)	1	\$166
154	Q096903-3000	BATTERY TERMINAL		\$102
155	Q097890-9800	BATTERY CORD (PLUS)	1	\$233
156	Q097209-9720	BATTERY CORD (MINUS)	1	\$224
157	Q045125-0160	SPRING WASHER	4	\$3
158	Q2647-286320	HOSE NIPPLE	1	\$56
159	Q074428-7211	REDUSER JOINT	1	\$90
160	Q094206-1012	FUEL HOSE	1	\$15
161	Q093720-0008	HOSE BAND (cp8.5)	1	\$3
162	Q2647-996800	HARNESS SET	1	\$2,048
163	QC30000-0013	EMERGENCY STOP BUTTON	1	\$272
164	Q2647-280580	HEXAGON SPACER	1	\$43
165	Q2647-281060	FUEL PIPE JOINT SET	1	\$66