

Replacement Kit

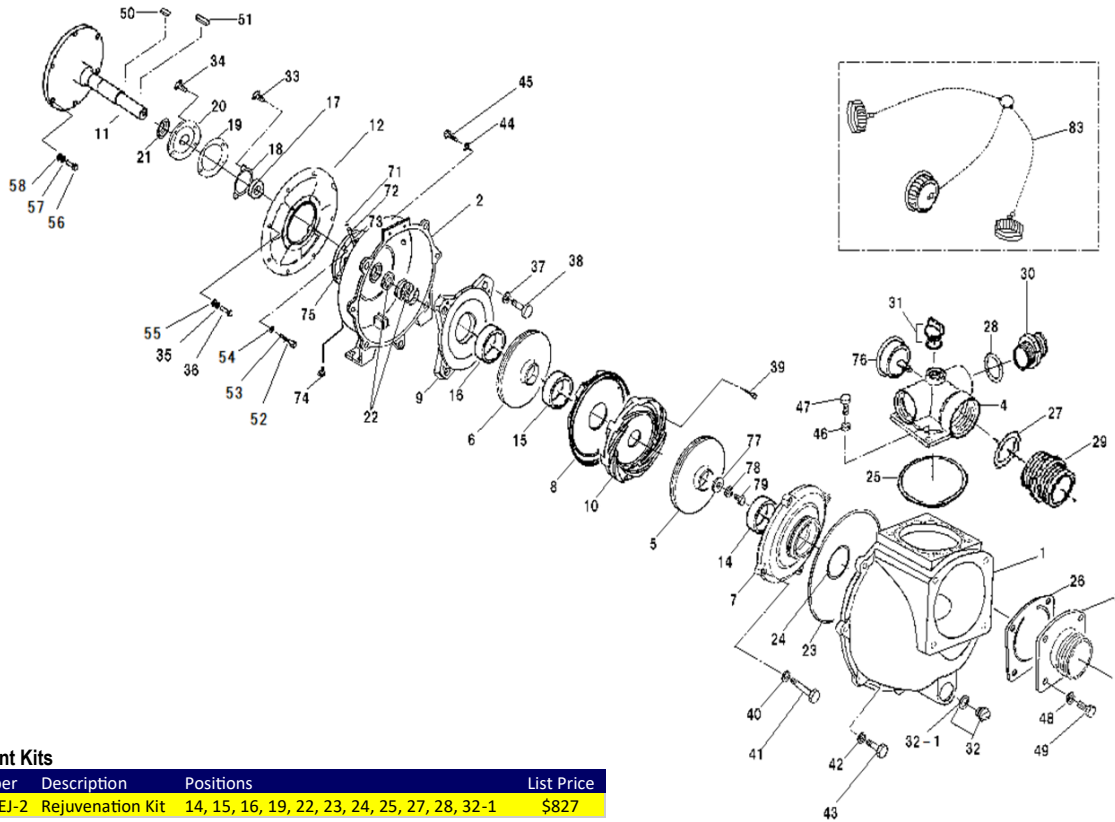
Part number	Description	Positions	List Price
QT405SLTREJ-2	Rejuvenation Kit	14, 15, 16, 19, 22, 23, 24, 25, 27, 28, 32-1	\$827

Pos	Part number	Description	Qty REQD	List price EACH
1	Q1473-060010	CASING	1	\$2,792
2	Q1473-060020	CASING COVER	1	\$2,925
3	Q1477-000160	SUCTION COVER	1	\$450
4	Q1473-060090	DELIVERY COVER (3WAY OUTLET)	1	\$980
5	Q1473-060030	IMPELLER 1	1	\$284
6	Q1473-060040	IMPELLER 2	1	\$297
7	Q1473-060130	VOLUTE CASING 1	1	\$689
8	Q1473-060120	VOLUTE CASING 2	1	\$916
9	Q1473-060110	VOLUTE CASING 3	1	\$848
10	Q1473-060140	GUIDE VANE	1	\$688
11	Q1473-221020	EXTENSION SHAFT	1	\$417
12	Q1473-221010	PUMP SHAFT	1	\$390
13	Q1473-221270	SHAFT SPACER	1	\$258
14	Q1473-081290	LINER RING 1	1	See kit
15	Q1473-251220	LINER RING 2	1	See kit
16	Q1473-081290	LINER RING 3	1	See kit
17	Q067000-6207	BALL BEARING	1	\$150
18	Q1473-201320	BEARING SET PLATE	1	\$82
19	Q1473-390780	OIL ROOM COVER PACKING	1	See kit
20	Q1473-200760	OIL ROOM COVER	1	\$302
21	Q086135-4808	OIL SEAL	1	\$53
22	Q080540-4235	MECHANICAL SEAL	1	See kit
23	Q048157-3750	O-RING	1	See kit
24	Q048057-1150	O-RING	1	See kit
25	Q048157-1650	O-RING	1	See kit
26	Q1601-350350	CHECK VALVE	1	\$189
27	Q048131-1100	O-RING	1	See kit
28	Q048131-0800	O-RING	2	See kit
29	Q079050-4040	NIPPLE (4")	1	\$122
30	Q079040-3031	NIPPLE (3")	2	\$92
31	Q063121-1159	FLOODING CAP	1	\$16
32	Q063121-1100ASS	DRAIN CAP ASSEMBLY WITH O-RING	1	\$29
32-1	Q048035-0300	O-RING (DRAIN CAP)	1	See kit
33	Q013119-0515	CAP SCREW	3	\$3
34	Q013119-0515	CAP SCREW	4	\$3
35	Q045129-0070	SPRING WASHER	4	\$3
36	Q019119-0632	BOLT	4	\$16
37	Q045129-0100	SPRING WASHER	4	\$3
38	Q010509-1040	BOLT	4	\$3
39	Q016109-0645	FLAT SCREW	3	\$4
40	Q045129-0100	SPRING WASHER	4	\$3

Pos	Part number	Description	Qty REQD	List price EACH
41	Q010509-1010	BOLT	4	\$3
42	Q045129-0120	SPRING WASHER	7	\$3
43	Q010509-1235	BOLT	7	\$7
44	Q045129-0100	SPRING WASHER	2	\$3
45	Q010509-1035	BOLT	2	\$3
46	Q045129-0160	SPRING WASHER	4	\$3
47	Q010509-1640	BOLT	4	\$8
48	Q045129-0160	SPRING WASHER	4	\$3
49	Q010509-1645	BOLT	4	\$11
50	Q050507-0825	KEY	1	\$12
51	Q051507-0825	KEY	1	\$16
52	Q1619-214010	ENGINE BASE	1	\$1,046
53	Q040165-0080	FRAME	8	\$769
54	Q072330-3032	CUSHION RUBBER	4	\$56
55	Q045129-0080	SPRING WASHER	8	\$3
56	Q020549-0080	NUT	8	\$3
57	Q010509-1060	BOLT	4	\$11
58	Q045129-0100	SPRING WASHER	4	\$3
59	Q020549-0100	NUT	4	\$3
60	Q045129-0120	SPRING WASHER	4	\$3
61	Q010509-1235	BOLT	4	\$7
62	1412-317030	CAP	4	\$5
63	097206-9450	BATTERY CABLE	1	\$59
64	097206-9300	BATTERY CABLE	1	\$56
65	095021-1170-0014	BATTERY SET PLATE	1	\$26
66	095021-1170A	BATTERY SET KIT	2	\$31
67	020546-0060CE	NUT	2	\$3
68	040175-0060CE	WASHER	2	\$3
69	045128-0060CE	SPRING WASHER	2	\$3
71	1473-807150	OIL CAP	1	\$35
72	077225-3838	SOCKET	1	\$42
73	E12003-8100	LONG NIPPLE	1	\$59
74	1473-177160	OIL PLUG	1	\$79
75	1473-809373	OIL GAUGE	1	\$103
76	1477-809360	PRESSURE GAUGE	1	\$764
77	1466-251241	IMPELLER WASHER	1	\$24
78	045129-0100	SPRING WASHER	1	\$3
79	010509-1025	BOLT	1	\$3
80	085283-0000	BASE LINER	4	\$5
80-1	085285-0000	BASE LINER	4	\$5
81	017105-1627	EYE BOLT	1	\$28
83	1477-068050ASSY	BALL CHAIN WITH CAP	1	\$318
84	040165-0080	WASHER	8	\$3

RELIABLE PRODUCTS ... RELIABLE PEOPLE

AUSSIE QP 4" TWIN IMPELLER FIRE PUMP QPT405SLT/D722 (KUBOTA DIESEL)



Replacement Kits

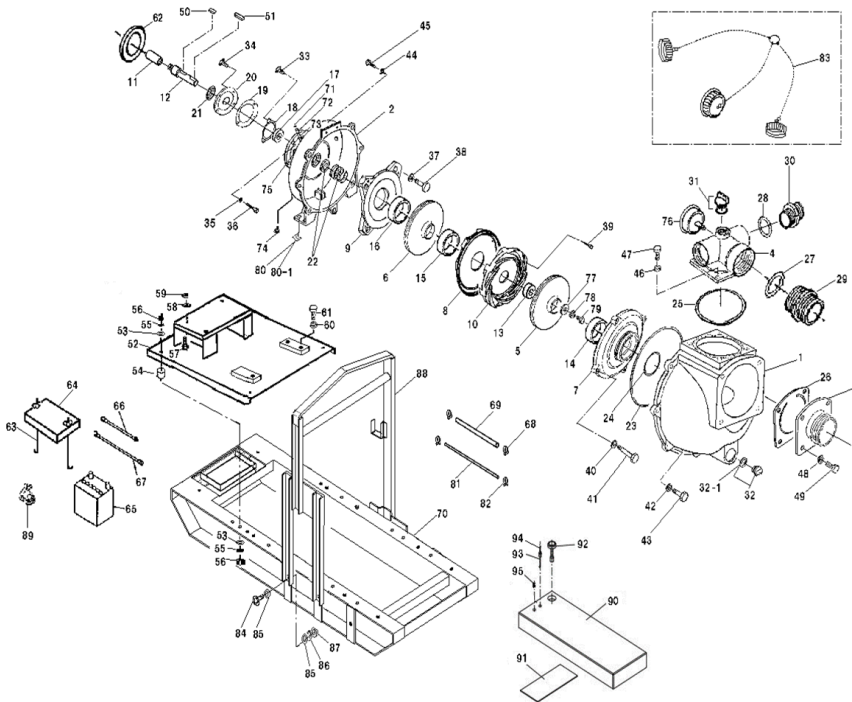
Part number	Description	Positions	List Price
QT405SLTREJ-2	Rejuvenation Kit	14, 15, 16, 19, 22, 23, 24, 25, 27, 28, 32-1	\$827

Pos	Part number	Description	Qty REQD	List price EACH
1	Q1473-060010-0002	CASING	1	\$2,792
2	Q1473-060020-0002	CASING COVER	1	\$2,925
3	Q1477-000160-0002	SUCTION COVER	1	\$450
4	Q1473-060090-0002	DELIVERY COVER (3WAY OUTLET)	1	\$980
5	Q2485-060030	IMPELLER 1	1	\$284
6	Q2485-060040	IMPELLER 2	1	\$297
7	Q2485-060130	VOLUTE CASING 1	1	\$797
8	Q2485-060120	VOLUTE CASING 2	1	\$962
9	Q2485-060110	VOLUTE CASING 3	1	\$897
10	Q1473-060140	GUIDE VANE	1	\$688
11	Q2490-221010	PUMP SHAFT	1	\$2,121
12	Q2490-000580-0014	CASING COVER SPACER	1	\$1,460
14	Q1473-081290	LINER RING 1	1	See kit
15	Q1473-251220	LINER RING 2	1	See kit
16	Q1473-081290	LINER RING 3	1	See kit
17	Q067000-6207	BALL BEARING	1	\$150
18	Q1473-201320	BEARING SET PLATE	1	\$82
19	Q1473-390780	OIL ROOM COVER PACKING	1	See kit
20	Q1473-200760	OIL ROOM COVER	1	\$302
21	Q086135-4808	OIL SEAL	1	\$53
22	Q080540-4235	MECHANICAL SEAL	1	See kit
23	Q048157-3750	O-RING	1	See kit
24	Q048057-1150	O-RING	1	See kit
25	Q048157-1650	O-RING	1	See kit
26	Q1601-350350	CHECK VALVE	1	\$189
27	Q048131-1100	O-RING	1	See kit
28	Q048131-0800	O-RING	2	See kit
29	Q079050-4040-0014	NIPPLE (4")	1	\$122
30	Q079040-3031-0014	NIPPLE (3")	2	\$92
31	Q063121-1159	FLOODING CAP	1	\$16
32	Q063121-1100ASS	DRAIN CAP ASSEMBLY WITH O-RING	1	\$29
32-1	Q048035-0300CE	O-RING (DRAIN CAP)	1	See kit
33	Q013119-0515	CAP SCREW	3	\$3
34	Q013119-0515	CAP SCREW	4	\$3
35	Q045129-0070	SPRING WASHER	8	\$3
36	Q019116-0632	BOLT	8	\$27
37	Q045129-0100	SPRING WASHER	4	\$3
38	Q010509-1040	BOLT	4	\$3

Pos	Part number	Description	Qty REQD	List price EACH
39	Q016109-0645	FLAT SCREW	3	\$4
40	Q045129-0100	SPRING WASHER	4	\$3
41	Q010519-1010	BOLT	4	\$9
42	Q045129-0120	SPRING WASHER	7	\$3
43	Q010509-1235	BOLT	7	\$7
44	Q045129-0100	SPRING WASHER	2	\$3
45	Q010509-1035	BOLT	2	\$3
46	Q045129-0160	SPRING WASHER	4	\$3
47	Q010509-1640	BOLT	4	\$8
48	Q045129-0160	SPRING WASHER	4	\$3
49	Q010509-1645	BOLT	4	\$11
50	Q050507-0825	KEY	1	\$12
51	Q051507-0825	KEY	1	\$16
52	Q010509-1040	BOLT	4	\$3
53	Q045129-0100	SPRING WASHER	4	\$3
54	Q040165-0100	WASHER	4	\$3
55	Q040165-0100	WASHER	8	\$3
56	Q019116-0532	BOLT	6	\$8
57	Q045129-0080	SPRING WASHER	6	\$3
58	Q040165-0080	WASHER	6	\$3
71	Q1473-807150	OIL CAP	1	\$35
72	Q077225-3838	SOCKET	1	\$42
73	QE12003-8100	LONG NIPPLE	1	\$59
74	Q1473-177160	OIL PLUG	1	\$79
75	Q1473-809373	OIL GAUGE	1	\$103
76	Q1477-809360	PRESSURE GAUGE	1	\$764
77	Q1466-251241	IMPELLER WASHER	1	\$24
78	Q045129-0100	SPRING WASHER	1	\$3
79	Q010509-1025	BOLT	1	\$3
83	Q1477-068050ASSY	BALL CHAIN WITH CAP	1	\$318

RELIABLE PRODUCTS ... RELIABLE PEOPLE

AUSSIE QP 4" TWIN IMPELLER FIRE PUMP QPT405SLT/KDE425 (KOHLER DIESEL)



Replacement Kits

Part number	Description	Positions	List Price
QT405SLTREJ-2	Rejuvenation Kit	14, 15, 16, 19, 22, 23, 24, 25, 27, 28, 32-1	\$827

Pos	Part number	Description	Qty REQD	List price EACH
1	Q1473-060010-0002	CASING	1	\$2,792
2	Q1473-060020-0002	CASING COVER	1	\$2,925
3	Q1477-000160-0002	SUCTION COVER	1	\$450
4	Q1473-060090-0002	DELIVERY COVER (3WAY OUTLET)	1	\$980
5	Q2485-060030	IMPELLER 1	1	\$284
6	Q2485-060040	IMPELLER 2	1	\$297
7	Q2485-060130	VOLUTE CASING 1	1	\$797
8	Q2485-060120	VOLUTE CASING 2	1	\$962
9	Q2485-060110	VOLUTE CASING 3	1	\$897
10	Q1473-060140	GUIDE VANE	1	\$688
11	Q2485-221020	EXTENSION SHAFT	1	\$459
12	Q1473-221010	PUMP SHAFT	1	\$417
13	Q1473-221270	SHAFT SPACER	1	\$258
14	Q1473-081290	LINER RING 1	1	See kit
15	Q1473-251220	LINER RING 2	1	See kit
16	Q1473-081290	LINER RING 3	1	See kit
17	Q067000-6207	BALL BEARING	1	\$150
18	Q1473-201320	BEARING SET PLATE	1	\$82
19	Q1473-390780	OIL ROOM COVER PACKING	1	See kit
20	Q1473-200760	OIL ROOM COVER	1	\$302
21	Q086135-4808	OIL SEAL	1	\$53
22	Q080540-4235	MECHANICAL SEAL	1	See kit
23	Q048157-3750	O-RING	1	See kit
24	Q048057-1150	O-RING	1	See kit
25	Q048157-1650	O-RING	1	See kit
26	Q1601-350350	CHECK VALVE	1	\$189
27	Q048131-1100	O-RING	1	See kit
28	Q048131-0800	O-RING	2	See kit
29	Q079050-4040-0014	NIPPLE (4")	1	\$122
30	Q079040-3031-0014	NIPPLE (3")	2	\$92
31	Q063121-1159	FLOODING CAP	1	\$16
32	Q063121-1100ASS	DRAIN CAP ASSEMBLY WITH O-RING	1	\$29
32-1	Q048035-0300CE	O-RING (DRAIN CAP)	1	See kit
33	Q013119-0515	CAP SCREW	3	\$3
34	Q013119-0515	CAP SCREW	4	\$3
35	Q045129-0070	SPRING WASHER	4	\$3
36	Q010509-1045	BOLT	4	\$3
37	Q045129-0100	SPRING WASHER	4	\$3
38	Q010509-1040	BOLT	4	\$3

Pos	Part number	Description	Qty REQD	List price EACH
39	Q016109-0645	FLAT SCREW	3	\$4
40	Q045129-0100	SPRING WASHER	4	\$3
41	Q010509-1010	BOLT	4	\$3
42	Q045129-0120	SPRING WASHER	7	\$3
43	Q010509-1235	BOLT	7	\$7
44	Q045129-0100	SPRING WASHER	2	\$3
45	Q010509-1035	BOLT	2	\$3
46	Q045129-0160	SPRING WASHER	4	\$3
47	Q010509-1640	BOLT	4	\$8
48	Q045129-0160	SPRING WASHER	4	\$3
49	Q010509-1645	BOLT	4	\$11
50	Q050507-0825	KEY	1	\$12
51	Q051507-0825	KEY	1	\$16
52	Q2485-214020	ENGINE BASE	1	\$864
53	Q040165-0080	WASHER	8	\$3
54	Q072330-3032	CUSHION RUBBER	4	\$56
55	Q045129-0080	SPRING WASHER	8	\$3
56	Q020549-0080	NUT	8	\$3
57	Q010509-1040	BOLT	4	\$3
58	Q045129-0100	SPRING WASHER	4	\$3
59	Q020549-0100	NUT	4	\$3
60	Q045129-0120	SPRING WASHER	4	\$3
61	Q010509-1235	BOLT	4	\$7
62	Q2485-220580	SPACER	1	\$1,294
63	Q095021-1240A	BATTERY SET KIT	2	\$25
64	Q2485-215230	BATTERY SET PLATE	1	\$173
65	Q096120-3044E	BATTERY	1	\$1,327
66	Q097230-9550	BATTERY CABLE	1	\$152
67	Q097830-9800	BATTERY CABLE	1	\$208
68	Q093126-0015	HOSE BAND	2	\$29
69	Q094114-0100	FUEL HOSE (SUPPLY)	1	\$37
70	Q2485-214630	SKID BASE	1	\$8,873
71	Q1473-807150	OIL CAP	1	\$35
72	Q077225-3838	SOCKET	1	\$42
73	QE12003-8050	LONG NIPPLE	1	\$39
74	Q1473-177160	OIL PLUG	1	\$79
75	Q1473-809373	OIL GAUGE	1	\$103
76	Q1477-809360	PRESSURE GAUGE	1	\$764
77	Q1466-251241	IMPELLER WASHER	1	\$24
78	Q045129-0100	SPRING WASHER	1	\$3
79	Q010509-1025	BOLT	1	\$3
80	Q085283-0000	BASE LINER	4	\$5
80-1	Q085285-0000	BASE LINER	4	\$5
81	Q094248-0085	FUEL HOSE (RETURN)	1	\$59
82	Q093720-0010	HOSE BAND	2	\$8
83	Q1477-068050AS	BALL CHAIN WITH CAP	1	\$318
84	Q010505-1235	BOLT	4	\$3
85	Q040145-0120	WASHER	8	\$3
86	Q045125-0120	SPRING WASHER	4	\$3
87	Q020545-0120	NUT	4	\$3
88	Q2485-214150	LIFTING BALE	1	\$3,643
89	Q096902-2000	BATTERY TERMINAL	1	\$95
90	Q2647-800900	FUEL TANK	1	\$3,488
91	Q2647-338500	RUBBER PLATE	6	\$350
92	Q2647-801040	FUEL CAP	1	\$930
93	Q2647-801050	PIPE FOR FUEL (SUCTION)	1	\$162
94	Q2647-281060	FUEL PIPE JOINT SET	1	\$66
95	QG50014-0050	HOSE NIPPLE	1	\$53