

Aussie Pumps

AUSSIE SPARES DIAGRAM & PARTS LIST

AUSSIE QP HIGH PRESSURE TRANSFER PUMPS:
 QP310SL/GX390, QP310SX/GX390
 QP402SL/GX390, QP402SX/GX390
 (AND ALL 1" PETROL KEYED SHAFT ENGINES)

RENEW OR UPGRADE

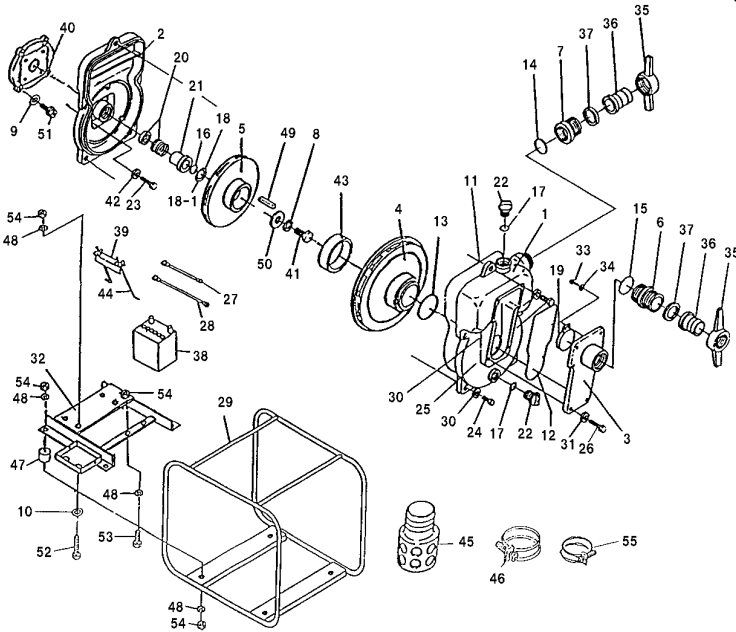
WITH AN AUSSIE WET END KIT

SL ONLY \$1,980

(P/N: QP310SL/KIT OR QP402SLKIT N/F)

SX ONLY \$2,033

(P/N: QP310SXKIT N/F
OR QP402SXKIT)



Position	Part number	Description	Qty reqd	List price
1	Q1480-100010	CASING	1	\$1,278
2	Q4421-100020	MOUNTING FLANGE	1	\$894
3	Q9430-100160	SUCTION COVER	1	\$381
4	Q1461-000130	VOLUTE CASING SX (NOTE: liner ring (item 43) sold separately)	1	\$371
4	Q1445-000130	VOLUTE CASING SL (NOTE: liner ring (item 43) sold separately)	1	\$371
5	Q1476-060030	IMPELLER SX	1	\$304
5	Q1445-060030	IMPELLER SL	1	\$304
6	Q079000-4030-11	NIPPLE (QP310 VERSION)	1	\$134
6	Q079000-4040-11	NIPPLE (QP402 VERSION)	1	\$134
7	Q079890-4030-11	SOCKET (QP310 VERSION)	1	\$171
7	Q079890-4040-11	SOCKET (QP402 VERSION)	1	\$171
8	Q045125-0100	SPRING WASHER	1	\$1
9	Q045125-0100	SPRING WASHER	4	\$1
10	Q040145-0100	WASHER	4	\$1
11	Q048935-3850	O-RING (CASING)	1	\$102
12	Q048935-2400	O-RING (SUCTION COVER)	1	\$59
13	Q048131-0950	O-RING (VOLUTE CASING)	1	\$14
14	Q048131-1000	O-RING (SOCKET)	1	\$23
15	Q048131-1100	O-RING (NIPPLE)	1	\$26
16	Q048220-0240	O-RING (MECH SEAL SLEEVE)	1	\$10
17	Q048035-0300	O-RING (FLOODING/DRAIN CAP)	2	\$6
18	Q085283-4525	ADJUST LINER	1	\$9
18-1	Q085285-4525	ADJUST LINER	1	\$9
19	Q9430-350350	CHECK VALVE	1	\$98
20	Q080611-3630	MECHANICAL SEAL	1	\$271
21	Q081188-3051	MECHANICAL SEAL SLEEVE	1	\$329
22	Q063121-1100ASS	FLOODING/DRAIN CAP	2	\$21
23	Q010505-0820	BOLT	4	\$1
24	Q010505-1240	BOLT	4	\$6
25	Q010505-1250	BOLT	1	\$6
26	Q010505-1040	BOLT	6	\$3
27	Q097209-9300	SHORT CORD	1	
28	Q097209-9900	LONG CORD	1	
29		FRAME	1	\$270
30	Q045125-0120	SPRING WASHER	5	\$1
31	Q045125-0100	SPRING WASHER	6	\$1
32	Q1456-214020-0004	ENGINE BASE	1	\$252
33	Q014109-0616	SCREW	2	\$1
34	Q040145-0060	WASHER	2	\$1
35,36,37	QCOUPLING3"	HOSE COUPLING	2	\$87
38	Q096120-3026E	BATTERY	1	
39	Q095021-1170-0004	BATTERY SET PLATE	1	

Purchase a kit and **SAVE up to 40%**
on buying individual parts

Replacement Kits

Part number	Description	Positions	List Price
Q402-ORKT	O ring Kit	11, 12, 13, 14, 15, 16, 17	\$62
Q402REJ-2	Rejuvenation Kit	11, 12, 13, 14, 15, 16, 17, 18, 20	\$328

FIVE YEAR WARRANTY ON ALL AUSSIE QP PUMPS

... subject to the use of genuine Aussie replacement parts.

Position	Part number	Description	Qty reqd	List price
40	Q4313-000600-11	CASING COVER SET PLATE	1	\$152
41	Q019115-0625	BOLT	1	\$1
42	Q045822-0080	SEAL WASHER	4	\$23
43	Q1445-081220	LINER RING	1	\$221
44	Q095021-1170A	BATTERY SET KIT	2	\$0
45	QSTRAINER3"	STRAINER	1	\$68
46	Q093225-3000	WIRE HOSE BAND	1	\$29
47a	Q072330-2040	CUSHION RUBBER (18mm)	4	\$19
47b	Q072330-3032	CUSHION RUBBER (35mm)	4	\$35
48	Q045125-0100	SPRING WASHER	14	\$1
49	Q052004-0422	KEY	1	\$19
50	Q4334-201240-11	IMPELLER WASHER	1	\$6
51	Q019116-0625	BOLT	4	\$8
52	Q010505-1050	BOLT	4	\$3
53	Q010505-1045	BOLT	2	\$3
54	Q020545-0100	NUT	14	\$1
55	Q093225-0090	WIRE HOSE BAND	2	\$29



Two types of engine mounts used, check style before ordering.

8 BAR pressure relief valve,
suits SX & SL high pressure pumps
Stock code: Q078908-3408 **\$225**



RELIABLE PRODUCTS ... RELIABLE PEOPLE



Aussie Pumps

AUSSIE SPARES DIAGRAM & PARTS LIST

AUSSIE QP HIGH PRESSURE TRANSFER PUMPS:
 QP310SL/L100, QP310SX/L100
 QP402SL/L100, QP402SX/L100
 (AND ALL 1" DIESEL KEYED SHAFT ENGINES)

RENEW OR UPGRADE

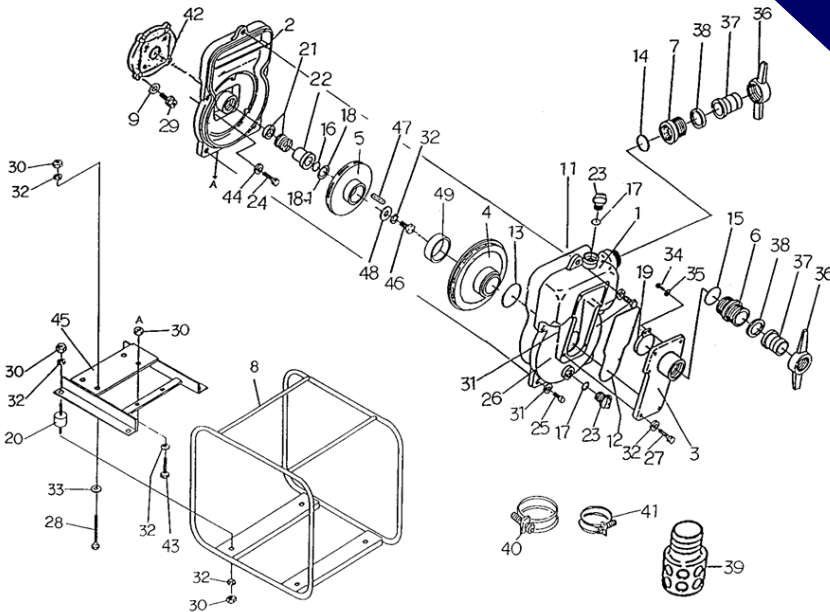
WITH AN AUSSIE WET END KIT

SL ONLY \$1,980

(P/N: QP310SLDKIT OR QP402SLKITNFL100)

SX ONLY \$2,033

(P/N: QP310SXDKITN/F OR QP402SXKITN/F)



Position	Part number	Description	Qty reqd	List price
1	Q1480-100010	CASING	1	\$1,278
2	Q2379-100020	MOUNTING FLANGE	1	\$894
3	Q9430-100160	SUCTION COVER	1	\$381
4	Q1445-000130	VOLUTE CASING SL (NOTE: liner ring (item 49) sold separately)	1	\$371
	Q1461-000130	VOLUTE CASING SX (NOTE: liner ring (item 49) sold separately)	1	\$371
5	Q4418-000030	IMPELLER SL L100 17CM Diameter	1	\$304
	Q2379-060030	IMPELLER SX L100 20CM Diameter	1	\$304
6	Q079000-4030-11	NIPPLE (QP310 VERSION)	1	\$134
	Q079000-4040-11	NIPPLE (QP402 VERSION)	1	\$134
7	Q079890-4030-11	SOCKET (QP310 VERSION)	1	\$171
	Q079890-4040-11	SOCKET (QP402 VERSION)	1	\$171
8	Q2376-184010	FRAME	1	\$270
9	Q2376-214010-0004	SPRING WASHER	1	\$252
11	Q048935-3850	O-RING (CASING)	1	\$102
12	Q048935-2400	O-RING (SUCTION COVER)	1	\$59
13	Q048131-0950	O-RING (VOLUTE CASING)	1	\$14
14	Q048131-1000	O-RING (SOCKET)	1	\$23
15	Q048131-1100	O-RING (NIPPLE)	1	\$26
16	Q048220-0240	O-RING (MECH SEAL SLEEVE)	1	\$10
17	Q048035-0300	O-RING(FLOODING/DRAIN CAP)	2	\$6
18	Q085283-4525	ADJUST LINER	1	\$9
18-1	Q085285-4525	ADJUST LINER	1	\$9
19	Q9430-350350	CHECK VALVE	1	\$98
20a	Q072330-2040	CUSHION RUBBER (18mm)	4	\$19
20b	Q072330-3032	CUSHION RUBBER (35mm)	4	\$35
21	Q080611-3630	MECHANICAL SEAL	1	\$271
22	Q081188-3048	MECHANICAL SEAL SLEEVE (SX)	1	\$329
22	Q081188-3051	MECHANICAL SEAL SLEEVE (SL)	1	\$329
23	Q063121-1100ASS	FLOODING/DRAIN CAP WITH O-RING	2	\$21
24	Q010505-0820	BOLT	4	\$1
25	Q010505-1240	BOLT	4	\$6
26	Q010505-1250	BOLT	1	\$6
27	Q010505-1040	BOLT	6	\$3
28	Q010505-1045	BOLT	4	\$3
29	Q010505-1040	BOLT	2	\$3
30	Q020545-0100	NUT	14	\$1
31	Q045125-0120	SPRING WASHER	5	\$1
32	Q045125-0100	SPRING WASHER	24	\$1
33	Q040145-0100	WASHER	4	\$1
34	Q014109-0616	SCREW	2	\$1
35	Q040145-0060	WASHER	2	\$1
36, 37, 38	QCOUPLING3" or 4"	HOSE COUPLING	2	\$87
39	QSTRAINER3" QSTRAINER4"	STRAINER	2	\$68 \$95

Purchase a kit and **SAVE up to 40%** on buying individual parts

Replacement Kits

Part number	Description	Positions	List Price
Q402-ORKT	O ring Kit	11, 12, 13, 14, 15, 16, 17	\$62
Q402REJ-2	Rejuvenation Kit	11, 12, 13, 14, 15, 16, 17, 18, 21	\$328

Position	Part number	Description	Qty reqd	List price
40	Q093225-4000	WIRE HOSE BAND	2	\$29
41	Q093225-0110	WIRE HOSE BAND	1	\$29
42	Q4313-000600-11	COVER SET PLATE SL ONLY	1	\$152
42	Q2378-000600-11	COVER SET PLATE SX ONLY	1	\$152
43	Q010505-1050	BOLT	4	\$1
44	Q045822-0080	SEAL WASHER	4	\$23
45	Q4420-214020-0004	ENGINE BASE	1	\$252
46	Q019115-0730	IMPELLER SET BOLT	1	\$24
47	Q052004-0422	KEY	1	\$19
48	Q4334-201240-11	IMPELLER WASHER	1	\$6
49	Q1445-081220	LINER RING	1	\$221
51	Q2379-006000	CASING COVER SET PLATE	1	\$152
	Q067002-6909	BALL BEARING	1	
	Q2379-221280	BEARING SPACER	1	
	Q079800-3040-0011	ADAPTOR 4"x3"	1	\$185

To ensure correct impeller is ordered compare vane type with those shown below;



SL Q4418-000030



SX Q2379-060030



Two types of engine mounts used, check style before ordering.

8 BAR pressure relief valve, suits SX & SL high pressure pumps
 Stock code: Q078908-3408 **\$225**



5 YEAR WARRANTY ON ALL AUSSIE QP PUMPS

... subject to the use of genuine Aussie replacement parts.

