

Aussie Pumps

AUSSIE SPARES DIAGRAM & PARTS LIST

AUSSIE QP TWIN IMPELLER PUMP (AFTER JULY 2009)

QPT-205SLT/GX270, QPT-205SLT/GX390

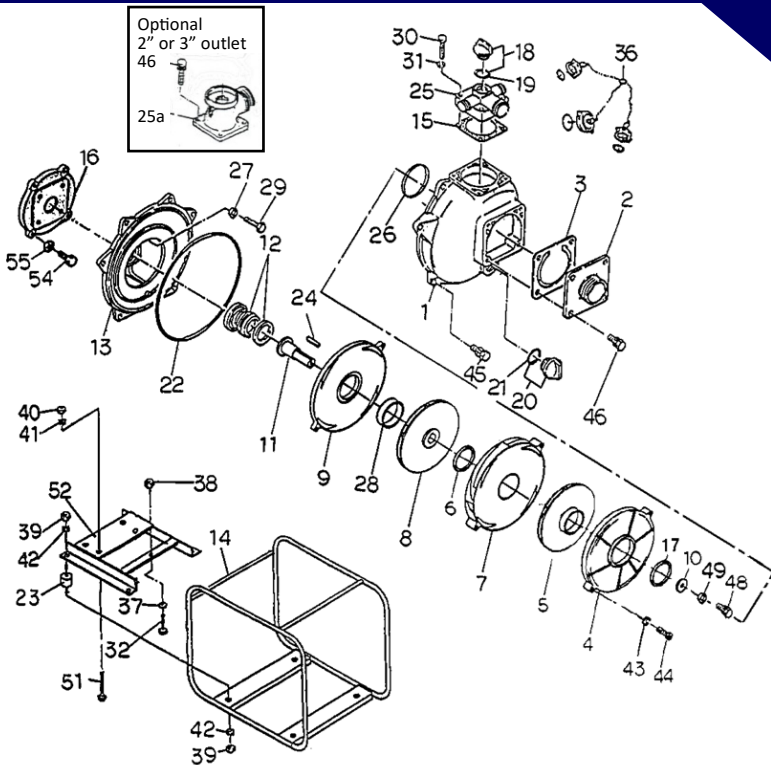
QPT-305SLT/GX270, QPT-305SLT/GX390

RENEW OR UPGRADE

YOUR PUMP WITH AN
AUSSIE WET END KIT

ONLY \$1,983

(P/N: QPT205SLTKIT SUITS GX270 OR GX390
1" SCREWED SHAFT)



Pos Kit	Part number	Description	Qty req	List price (each)
1	Q7304-100010	CASING WITH LOGO	1	\$390
2	Q1803-100160	2" SUCTION COVER	1	\$101
2	Q4328-100160	3" SUCTION COVER	1	\$121
3	Q1378-350350	CHECK VALVE	1	\$99
4 IV	Q7207-060130	VOLUTE CASING	1	\$326
5 IV	Q7207-060040	IMPELLER - 2	1	\$275
6 IV, W, P	Q1878-081290	LINER RING - 2	1	See kits
7 IV	Q7207-060110	VOLUTE CASING - 2	1	\$293
8 IV	Q7207-060030	IMPELLER	1	\$529
9 IV	Q7207-060120	VOLUTE CASING - 3	1	\$258
10 IV	Q7207-251240	IMPELLER WASHER	1	\$34
11	Q1878-221010	PUMP SHAFT (w shaft)	1	\$227
11	Q1882-221010	PUMP SHAFT (1" p shaft)	1	\$227
12 W	Q080611-3325	MECHANICAL SEAL (w shaft)	1	See kits
12 P	Q080311-2930	MECHANICAL SEAL (1" p shaft)	1	See kits
13	Q4359-100020	MOUNTING FLANGE (w shaft)	1	\$304
13	Q1988-100020	MOUNTING FLANGE (1" p shaft)	1	\$315
14	Q1867-214010	FRAME (w shaft)	1	\$315
14	Q1977-214011	FRAME (1" p shaft)	1	\$315
15 O, P, W	Q1803-330360	DELIVERY COVER PACKING	1	See kits
16	Q1369-000600	CASING COVER SET PLATE -A (w shaft)	1	\$180
16	Q4357-000600	CASING COVER SET PLATE (1" p shaft)	1	\$181
17	Q7207-081300	Liner Ring (brass)	1	\$296
18	Q063121-1100ASS	PRIMING CAP WITH O-RING	1	\$29
19 O,P	Q048035-0300	O-RING (PRIMING CAP)	1	See kits
20	Q063121-1100ASS	DRAIN CAP WITH O-RING	1	\$29
21 O,W	Q048035-0300	O-RING (DRAIN CAP)	1	See kits
22 O,P,W	Q048935-2550	O-RING (CASING)	1	See kits
23	Q072330-2040	CUSHION RUBBER	4	\$27
24	Q051004-0443	KEY	1	\$21
25	Q1814-100090	DELIVERY COVER (3 WAY OUTLET)	1	\$117
25a	Q1803-000090	2" DELIVERY ELBOW	1	\$110
25a	Q4328-100090	3" DELIVERY ELBOW	1	\$180
26 O,P,W,IV	Q048220-0750	O-RING (VOLUTE CASING)	1	See kits
27	Q045822-0080	SEAL WASHER	4	\$8
28 O,P,W,IV	Q1803-521220	LINER RING (plastic)	1	See kits
29	Q010505-0820	BOLT	4	\$3
30	Q010505-0845	BOLT	4	\$3
31	Q045125-0080	SPRING WASHER	4	\$3
32	Q010606-0850	BOLT	1	\$3
36	QCAPS&CHAINS	BALL CHAIN WITH CAP	1	\$110

Purchase a kit and **SAVE up to 30%**
on buying individual parts

Replacement Kits

KIT	Part number	Description	Positions	List Price
O	Q2055-ORKT	O RING KIT	15, 19, 21, 22, 26, 28,	\$86
P	QT205SLTREJ-2	REJUVENATION KIT (1" p shaft)	6, 12, 15, 19, 22, 26, 28	\$377
W	QT205SLTWREJ-2	REJUVENATION KIT (w shaft)	6, 12, 15, 21, 22, 26, 28	\$377
IV	Q7207-990520	IMPELLER/VOLUTE SET	4, 5, 6, 7, 8, 9, 10, 26, 28, 43, 44, 48, 48a	\$1,321

Pos Kit	Part number	Description	Qty req	List price (each)
37	Q045128-0080	SPRING WASHER	1	\$3
38	Q020546-0080	NUT	1	\$3
39	Q020545-0100	NUT	8	\$3
40	Q020545-0100	NUT	4	\$3
41	Q045128-0100	SPRING WASHER	4	\$3
42	Q045128-0100	SPRING WASHER	8	\$3
43 IV	Q045129-0060	SPRING WASHER	2	\$3
44 IV	Q010509-0640	BOLT	2	\$3
45	Q018105-0825	BOLT SET WITH SPRING WASHER (M8 x 25)	6	\$3
46	Q018105-0825	BOLT SET WITH SPRING WASHER (M8 x 25)	4	\$3
47	Q018105-0820	BOLT SET WITH SPRING WASHER	4	\$6
48 IV	Q010809-0820	SS BOLT M8 Hi Tension 20mm	1	\$14
48a IV	Q045129-0080	SPRING WASHER	1	\$5
49	Q014105-0815	SCREW	4	\$3
50	Q045125-0080	SPRING WASHER	4	\$3
51	Q010606-1045	BOLT	4	\$3
52	Q1867-214020	ENGINE BASE (w shaft)	1	\$259
52	Q1988-214021	ENGINE BASE (1" p shaft)	1	\$311
54	Q019116-0625	BOLT	4	\$3

PUMP PROTECTION

Pressure relief valve

(recommended when using a ball valve or quick action fire nozzles)
10 bar, adjustable, suits all QP fire & high pressure pumps, Inlet 1" BSP,
Outlet 1" BSP Q078908-3410 \$305^{GST}



Aussie Pumps

AUSSIE SPARES DIAGRAM & PARTS LIST

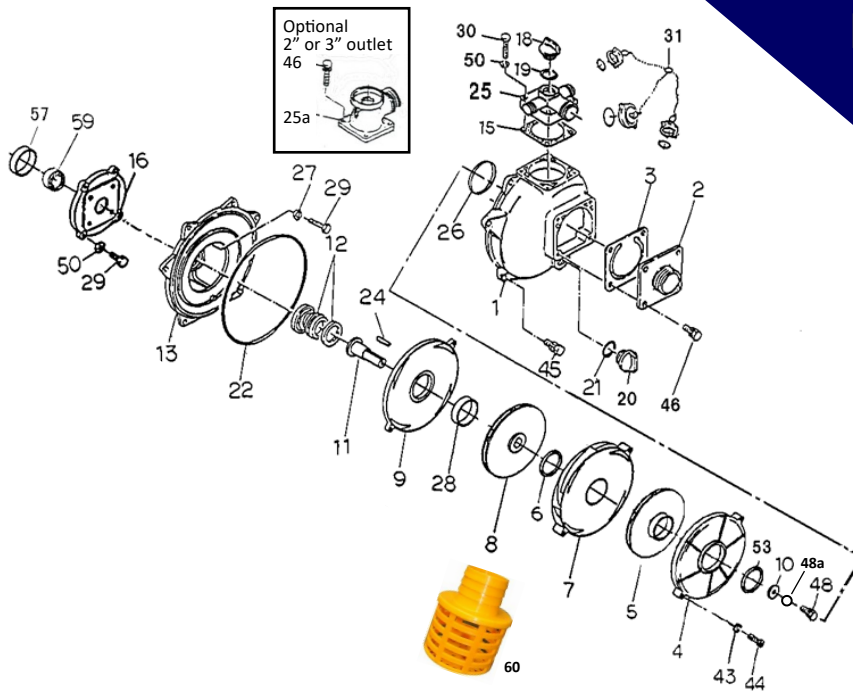
AUSSIE QP TWIN IMPELLER PUMP
QPT-205SLT/L100, QPT-305SLT/L100
(YANMAR DIESEL)

RENEW OR UPGRADE

YOUR PUMP WITH AN
AUSSIE WET END KIT

ONLY \$1,983

(P/N: QPT205SLDKIT SUITS L100
1" SCREWED SHAFT)



Pos	Kit	Part number	Description	Qty req	List price (EACH)
1		Q4364-100010	CASING	1	\$390
		Q7304-100010	CASING WITH LOGO		
2		Q1803-100160	2" SUCTION COVER	1	\$101
2		Q4328-100160	3" SUCTION COVER	1	\$121
3		Q1378-350350	CHECK VALVE	1	\$99
4	IV	Q7207-060130	VOLUTE CASING	1	\$326
5	IV	Q7207-060040	IMPELLER - 2	1	\$275
6	IV, P	Q1878-081290	LINER RING - 2	1	See kits
7	IV	Q7207-060110	VOLUTE CASING - 2	1	\$293
8	IV	Q7207-060030	IMPELLER	1	\$529
9	IV	Q7207-060120	VOLUTE CASING - 3	1	\$258
10	IV	Q7207-251240	IMPELLER WASHER	1	\$34
11		Q1882-221010	PUMP SHAFT (L100)	1	\$227
12	P	Q080311-2930	MECHANICAL SEAL (L100)	1	See kits
13		Q1988-100020	MOUNTING FLANGE (L100)	1	\$315
15	O,P	Q1803-330360	DELIVERY COVER PACKING	1	See kits
16		Q2261-000600	CASING COVER SET PLATE (L100)	1	\$268
18		Q063121-1100ASS	PRIMING CAP WITH O-RING	1	\$29
19	O,P	Q048035-0300	O-RING (PRIMING CAP)	1	See kits
20		Q063121-1100ASS	DRAIN CAP WITH O-RING	1	\$29
21	O	Q048035-0300	O-RING (DRAIN CAP)	1	See kits
22	O,P	Q048935-2550	O-RING (CASING)	1	See kits
24		Q051004-0443	KEY	1	\$21
25		Q1814-100090	DELIVERY COVER (3 WAY OUTLET)	1	\$117
25a		Q1803-000090	2" DELIVERY ELBOW	1	\$110
25a		Q4328-100090	3" DELIVERY ELBOW	1	\$180
26	O,P,IV	Q048220-0750	O-RING (VOLUTE CASING)	1	See kits
27		Q045822-0080	SEAL WASHER	4	\$8
28	O,P,IV	Q1803-521220	LINER RING	1	See kits
29		Q010605-0820	BOLT	4	\$3
30		Q010505-0845	BOLT	4	\$3
31		QCAPS&CHAINS	BALL CHAIN WITH CAPS	1	\$110

**FIVE YEAR WARRANTY
ON ALL AUSSIE QP PUMPS**
... subject to the use of genuine
Aussie replacement parts.

RELIABLE PRODUCTS ... RELIABLE PEOPLE

Australian Pump Industries Pty Ltd

8 Solent Circuit, Norwest, NSW 2153

P: 02 8865 3500

aussiepumps.com.au

Purchase a kit and **SAVE up to 30%**
on buying individual parts



Replacement Kits

KIT	Part number	Description	Positions	List Price
O	Q2055-ORKIT	O RING KIT	15, 19, 21, 22, 26, 28,	\$86
P	QT205SLTREJ-2	REJUVENATION KIT (1" p shaft)	6, 12, 15, 19, 22, 26, 28	\$377
IV	Q7207-990520	IMPELLER/VOLUTE SET	4, 5, 6, 7, 8, 9, 10, 26, 28, 43, 44, 48, 48a	\$1,321

Pos	Kit	Part number	Description	Qty req	List price (EACH)
43	IV	Q045129-0060	SPRING WASHER	2	\$3
44	IV	Q010509-0640	BOLT	2	\$3
45		Q018105-0825	BOLT SET WITH SPRING WASHER (M8 x 25)	6	\$3
46		Q018105-0825	BOLT SET WITH SPRING WASHER (M8 x 25)	4	\$3
47		Q018105-0820	BOLT SET WITH SPRING WASHER	4	\$6
48	IV	Q010809-0820	SS BOLT M8 Hi Tension 20mm	1	\$14
48a	IV	Q045129-0080	SPRING WASHER	1	\$5
49		Q014105-0815	SCREW	4	\$3
53		Q085283-4230	ADJUST LINER	1	\$13
53-1		Q085285-4230	ADJUST LINER	1	\$13
56		Q7207-081300	Liner Ring 3	1	\$296
57		Q2261-220580	BEARING SPACER	1	\$98
59		Q067002-6909	BALL BEARING	1	\$161
60		QSTRAINER2"	2" POLY STRAINER	1	\$83

PUMP PROTECTION Pressure relief valve

(recommended when using a ball valve or quick action fire nozzles)
10 bar, adjustable, suits all QP fire & high pressure pumps, Inlet 1" BSP,
Outlet 1" BSP Q078908-3410 \$305^{+GST}



Aussie Pumps

AUSSIE SPARES DIAGRAM & PARTS LIST

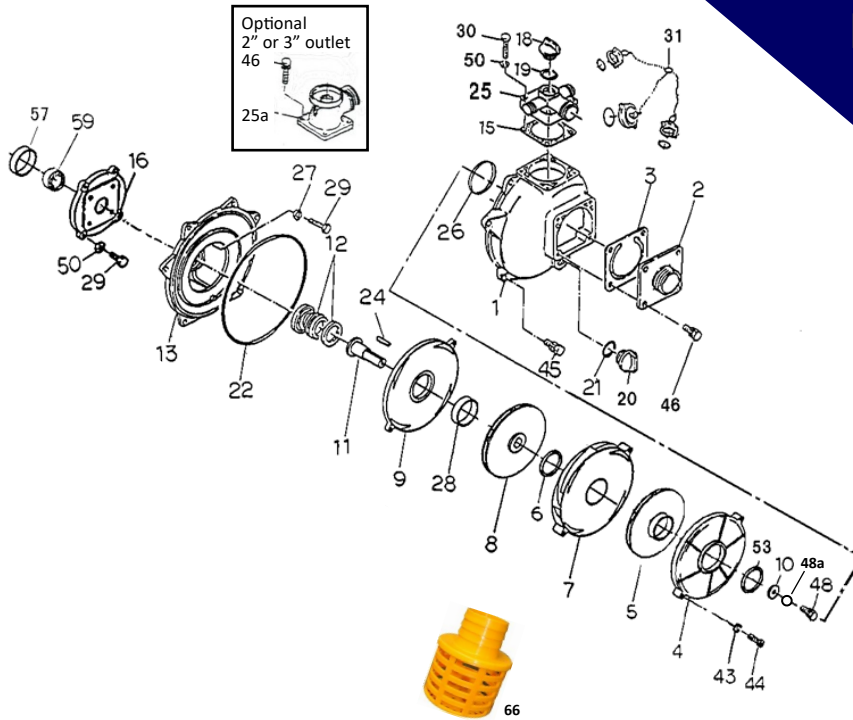
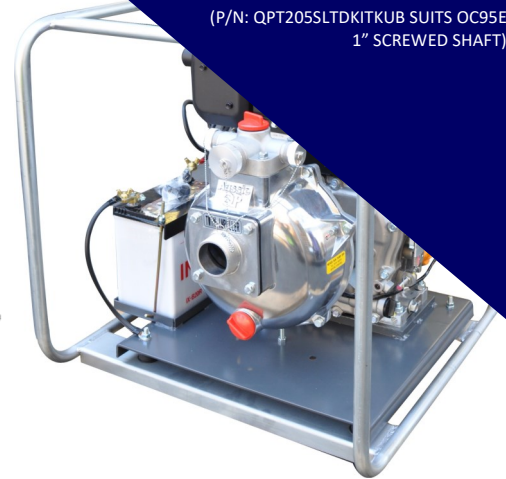
AUSSIE QP TWIN IMPELLER PUMP
QPT-205SLT/OC95E, QPT-305SLT/OC95E
(KUBOTA DIESEL)

RENEW OR UPGRADE

YOUR PUMP WITH AN
AUSSIE WET END KIT

ONLY \$1,983

(P/N: QPT205SLTDKITKUB OC95E
1" SCREWED SHAFT)



Purchase a kit and **SAVE** up to **30%**
on buying individual parts



Pos	Kit	Part number	Description	Qty req	List price (EACH)
1		Q7304-100010	CASING WITH LOGO	1	\$390
2		Q1803-100160	2" SUCTION COVER	1	\$101
2		Q4328-100160	3" SUCTION COVER	1	\$121
3		Q1378-350350	CHECK VALVE	1	\$99
4	IV	Q7207-060130	VOLUTE CASING	1	\$326
5	IV	Q2275-060040	IMPELLER - 2	1	\$275
6	IV, P	Q1878-081290	LINER RING - 2	1	See kits
7	IV	Q7207-060110	VOLUTE CASING - 2	1	\$293
8	IV	Q2275-060030	IMPELLER	1	\$529
9	IV	Q7207-060120	VOLUTE CASING - 3	1	\$258
10	IV	Q7207-251240	IMPELLER WASHER	1	\$34
11		Q1882-221010	PUMP SHAFT (OC95/L100)	1	\$227
12	P	Q080311-2930	MECHANICAL SEAL (OC95/L100)	1	See kits
13		Q1988-100020	MOUNTING FLANGE (OC95/L100)	1	\$315
15	O,P	Q1803-330360	DELIVERY COVER PACKING	1	See kits
16		Q2261-000600	CASING COVER SET PLATE (OC95)	1	\$268
18		Q063121-1100	PRIMING CAP WITH O-RING	1	\$29
19	O,P	Q048035-0300	O-RING (PRIMING CAP)	1	See kits
20		Q063121-1100	DRAIN CAP WITH O-RING	1	\$29
21	O	Q048035-0300	O-RING (DRAIN CAP)	1	See kits
22	O,P	Q048935-2550	O-RING (CASING)	1	See kits
24		Q051004-0443	KEY	1	\$21
25		Q1814-100090	DELIVERY COVER (3 WAY OUTLET)	1	\$117
25a		Q1803-000090	2" DELIVERY ELBOW	1	\$110
25a		Q4328-100090	3" DELIVERY ELBOW	1	\$180
26	O,P,IV	Q048220-0750	O-RING (VOLUTE CASING)	1	See kits
27		Q045822-0080	SEAL WASHER	4	\$8
28	O,P,IV	Q1803-521220	LINER RING	1	See kits
29		Q019117-0625	BOLT	4	\$3
30		Q018105-0825	BOLT	4	\$3

Replacement Kits

KIT	Part number	Description	Positions	List Price
O	Q2055-ORKIT	O RING KIT	15, 19, 21, 22, 26, 28,	\$86
P	QT205SLTREJ-2	REJUVENATION KIT (1" p shaft)	6, 12, 15, 19, 22, 26, 28	\$377
IV	Q7207-990510KUB	IMPELLER/VOLUTE SET	4, 5, 6, 7, 8, 9, 10, 26, 28, 43, 44, 48, 48a	\$1,321

Pos	Kit	Part number	Description	Qty req	List price (EACH)
43	IV	Q045129-0060	SPRING WASHER	2	\$3
44	IV	Q010509-0640	BOLT	2	\$3
45		Q018105-0825	BOLT SET WITH SPRING WASHER (M8 x 25)	6	\$3
46		Q018105-0825	BOLT SET WITH SPRING WASHER (M8 x 25)	4	\$3
48	IV	Q010809-0820	SS BOLT M8 Hi Tension 20mm	1	\$14
48a	IV	Q045129-0080	SPRING WASHER	1	\$5
50		Q045125-0080	SPRING WASHER	13	\$3
51		Q2276-184010	FRAME	1	\$0
52		Q2275-184020	ENGINE BASE	1	\$0
53		Q7207-081300	LINER RING	1	\$296
54		Q010505-0889	BOLT	1	\$3
55		Q010505-1060	BOLT	4	\$3
56		Q020545-0080	NUT	9	\$3
57		Q2261-220580	BEARING SPACER	1	\$98
59		Q067002-6909	BALL BEARING	1	\$161
60		Q2390-212600	CONTROL BOX	1	\$0
61		Q010505-0810	BOLT	1	\$3
62		Q020915-0080	FLANGE NUT	1	\$3
63		Q014105-0512	SCREW	5	\$3
64		Q045125-0050	SPRING WASHER	5	\$3
65		Q2275-996800	HARNES	1	\$0
66		QSTRAINER2"	2" POLY STRAINER	1	\$83

FIVE YEAR WARRANTY
ON ALL AUSSIE QP PUMPS
... subject to the use of genuine Aussie replacement parts.

PUMP PROTECTION

Pressure relief valve

(recommended when using a ball valve or quick action fire nozzles)

10 bar, adjustable, suits all QP fire & high pressure pumps, Inlet 1" BSP,
Outlet 1" BSP Q078908-3410 \$305^{GST}

