

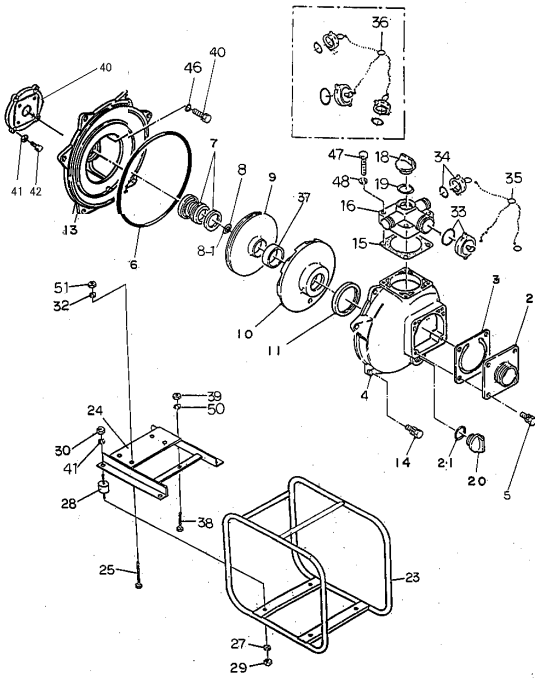
AUSSIE QP FIRE PUMPS: AUSSIE FIRE CAPTAIN PLUS: QP-205SL
(2" & 3" fire pumps with engines 8HP & larger)

RENEW OR UPGRADE

YOUR PUMP WITH AN AUSSIE WET END KIT

\$969

(P/N: QP205SLKIT1" P
SUITS ANY 1" SCREWED SHAFT ENGINE)



Purchase a kit & **SAVE up to 40%**
on buying individual parts

Pos	Part number	Description	Qty REQD	List price EACH
2	Q1803-100160	2" SUCTION COVER	1	\$101
2	Q4725-060160-0011	1.5" SUCTION COVER	1	\$191
2	Q4904-000160	2.5" SUCTION COVER	1	\$191
2	Q4328-100160	3" SUCTION COVER	1	\$121
3	Q1378-350350	CHECK VALVE	1	\$99
4	Q7304-100010	CASING WITH LOGO	1	\$390
5	Q018105-0825	BOLT SET WITH SPRING WASHER	4	\$3
6	Q048935-2550	O-RING (CASING)	1	See kits
7	Q080611-3325	MECHANICAL SEAL (W shaft)	1	See kits
7	Q080311-2930	MECHANICAL SEAL (1" P screwed shaft)	1	See kits
8	Q085283-3020	ADJUST LINER (W shaft)	1	See kits
8	Q085283-2013	ADJUST LINER (1" P screwed shaft)	1	See kits
8-1	Q085285-3020	ADJUST LINER (W shaft)	1	\$13
8-1	Q085285-2013	ADJUST LINER (1 P screwed shaft)	1	\$12
9	Q1955-060030	IMPELLER (W shaft)	1	\$246
9	Q1883-060030	IMPELLER (1" P screwed shaft)	1	\$418
10	Q1803-100130	VOLUTE CASING	1	\$126
11	Q1378-330620	VOLUTE CASING PACKING	1	See kits
13	Q4359-100020	MOUNTING FLANGE(W shaft)	1	\$304
13	Q1988-100020	MOUNTING FLANGE(1" P screwed shaft)	1	\$315
14	Q018105-0825	BOLT SET WITH SPRING WASHER	6	\$3
15	Q1803-330360	DELIVERY COVER PACKING	1	See kits
16	Q1814-100090	DELIVERY COVER (3way Outlet)	1	\$117
16	Q1803-000090	DELIVERY ELBOW 2"	1	\$110
16	Q4904-000090	DELIVERY ELBOW 2.5"	1	\$276
16	Q4328-100090	DELIVERY ELBOW 3"	1	\$180
18	Q063121-1100ASS	PRIMING CAP WITH O-RING	1	\$29
19	Q048035-0300	O-RING (PRIMING CAP)	1	See kits
20	Q063121-1100ASS	DRAIN CAP WITH O-RING	1	\$29
21	Q048035-0300	O-RING (DRAIN CAP)	1	See kits
23	QFRAME148GAL	FRAME	1	\$437
24	Q1867-214020-0004	ENGINE BASE (GX270)	1	\$259
24	Q1988-214021-0004	ENGINE BASE (GX390)	1	\$213
25	Q010505-1045	BOLT	4	\$3
27	Q045125-0100	SPRING WASHER	4	\$3
28	Q072330-2040	CUSHION RUBBER	4	\$27
29	Q020545-0100	NUT	4	\$3
30	Q020545-0100	NUT	4	\$3
32	Q045125-0100	SPRING WASHER	4	\$3
36	QCAPS&CHAINS	CAPS & CHAINS	1	\$110
37	Q1803-521221	LINER RING	1	See kits
38	Q010505-0850	BOLT	1	\$3
39	Q020545-0080	NUT	1	\$3
40	Q4357-000600-01	CASING COVER SET PLATE	1	\$181
41	Q045129-0070	SPRING WASHER	5	\$3

Replacement Kits

Part number	Description	Positions	List Price
Q205S-ORKT	O ring Kit	6, 11, 15, 19, 21,37	\$86
Q205SLWREJ-2	Rejuvenation Kit (W shaft) Version 2	6, 7, 8, 11, 15, 19, 21,37	\$377
Q205SLREJGX390-2	Rejuvenation Kit (1" P screwed shaft) Version 2	6, 7, 8, 11, 15, 19, 21, 37	\$377

Pos	Part number	Description	Qty REQD	List price EACH
42	Q019116-0625	BOLT	4	\$3
44	Q019116-0625	BOLT (1" P screwed shaft)	4	\$3
45	Q014105-0815	SCREW	4	\$3
	Q010505-1050	BOLT	4	\$3
46	Q045822-0080	SEAL WASHER	4	\$8
47	Q010505-0845	BOLT	4	\$3
48	Q045125-0080	SPRING WASHER	4	\$3
49	Q045125-0080	SPRING WASHER	4	\$3
50	Q045125-0080	SPRING WASHER	1	\$3
51	Q020545-0100	NUT	4	\$3

PUMP PROTECTION

Pressure relief valve

(recommended when using a ball valve or quick action fire nozzles)

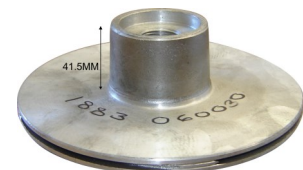
10 bar, adjustable, suits all QP fire & high pressure pumps, Inlet 1" BSP, Outlet 1" BSP, Q078908-3410 \$305^{+GST}



To ensure correct impeller is ordered measure boss as shown below;



W shaft impeller

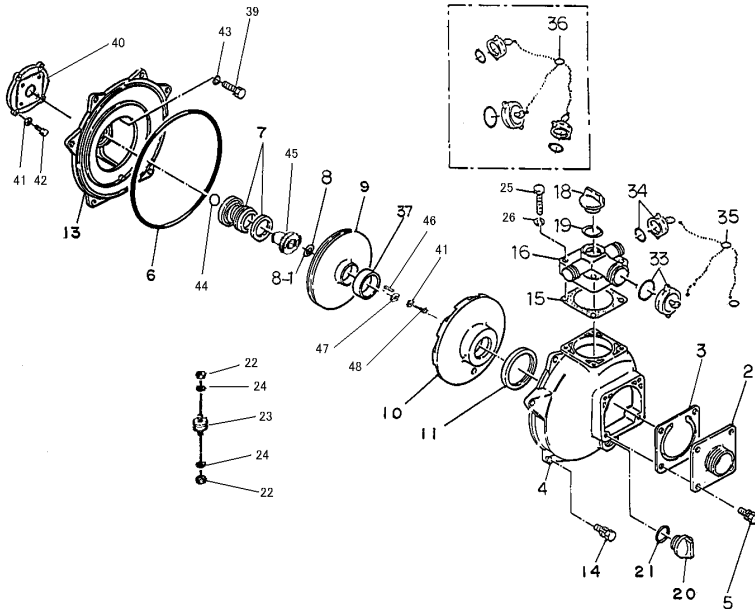


1" P shaft impeller

See next page for 1" Q (keyed) shaft pumps

RELIABLE PRODUCTS ... RELIABLE PEOPLE





Purchase a kit and **SAVE** up to **40%** on buying individual parts

Pos	Part number	Description	Qty REQD	List price EACH
2	Q1803-100160	2" SUCTION COVER	1	\$101
2	Q4725-060160-0011	1.5" SUCTION COVER	1	\$276
2	Q4904-000160	2.5" SUCTION COVER	1	\$191
2	Q4328-100160	3" SUCTION COVER	1	\$121
3	Q1378-350350	CHECK VALVE	1	\$99
4	Q7304-100010	CASING	1	\$390
5	Q018105-0825	BOLT SET WITH SPRING WASHER	4	\$3
6	Q048935-2550	O-RING (CASING)	1	See kits
7	Q080311-2930	MECHANICAL SEAL (1" shaft)	1	See kits
8	Q085283-4525	ADJUST LINER (1" Q keyed shaft)	1	\$13
8-1	Q085285-4525	ADJUST LINER (1" Q keyed shaft)	1	\$13
9	Q2260-060030	IMPELLER (1" Q keyed shaft)	1	\$414
10	Q1803-100130	VOLUTE CASING	1	\$126
11	Q1378-330620	VOLUTE CASING PACKING	1	See kits
13	Q1988-100020	MOUNTING FLANGE (1" Q keyed shaft)	1	\$315
14	Q018105-0825	BOLT SET WITH SPRING WASHER	6	\$3
15	Q1803-330360	DELIVERY COVER PACKING	1	See kits
16	Q1814-100090	DELIVERY COVER (3 way Outlet)	1	\$117
16	Q1803-000090	DELIVERY ELBOW 2"	1	\$110
16	Q4904-000090	DELIVERY ELBOW 2.5"	1	\$276
16	Q4328-100090	DELIVERY ELBOW 3"	1	\$180
18	Q063121-1100ASS	PRIMING CAP WITH O-RING	1	\$29
19	Q048035-0300	O-RING (PRIMING CAP)	1	See kits
20	Q063121-1100ASS	DRAIN CAP WITH O-RING	1	\$29
21	Q048035-0300	O-RING (DRAIN CAP)	1	See kits
22	Q020545-0100	NUT (CUSHION RUBBER)	8	\$3
23	Q072330-2546	CUSHION RUBBER	4	\$27
24	Q045125-0100	SPRING WASHER (CUSHION RUBBER)	8	\$3
25	Q010505-0845	BOLT	4	\$3
26	Q045125-0080	SPRING WASHER	4	\$3
36	QCAPS&CHAINS	CAPS & CHAINS	1	\$110
37	Q1803-521221	LINER RING	1	See kits
39	Q010505-0825	BOLT	4	\$3
40	Q4357-000600-01	CASING COVER SET PLATE	1	\$181
41	Q045129-0070	SPRING WASHER	5	\$3
42	Q019116-0625	BOLT	4	\$3
43	Q045822-0080	SEAL WASHER	4	\$8
44	Q048220-0240	O-RING (MECHANICAL SEAL SLEEVE)	1	\$14
45	Q081188-5449	MECHANICAL SEAL SLEEVE (1" Q shaft)	1	\$101
46	Q052004-0422	KEY	1	\$27
47	Q1412-201240-0011	IMPELLER WASHER	1	\$14
48	Q010709-0632	BOLT	1	\$3

Replacement Kits

Part number	Description	Positions	List Price
Q205S-ORKT	O ring Kit	6, 11, 15, 19, 21, 37	\$86
Q205SLREJGX390-2	Rejuvenation Kit Version 2	6, 7, 11, 15, 19, 21, 37	\$377

Note: Adjustable liner supplied in the rejuvenation kit is not suitable for the keyed shaft version. If required order adjustable liner as a separate item.

PUMP PROTECTION

Pressure relief valve

(recommended when using a ball valve or quick action fire nozzles)

10 bar, adjustable, suits all QP fire & high pressure pumps, Inlet 1" BSP, Outlet 1" BSP, Q078908-3410 \$305^{+GST}

