

Aussie Pumps

AUSSIE SPARES DIAGRAM & PARTS LIST

AUSSIE QP FIRE PUMPS: AUSSIE FIRE CHIEF (QP-205SE) and 2" & 3" fire pumps with engines less than 8HP

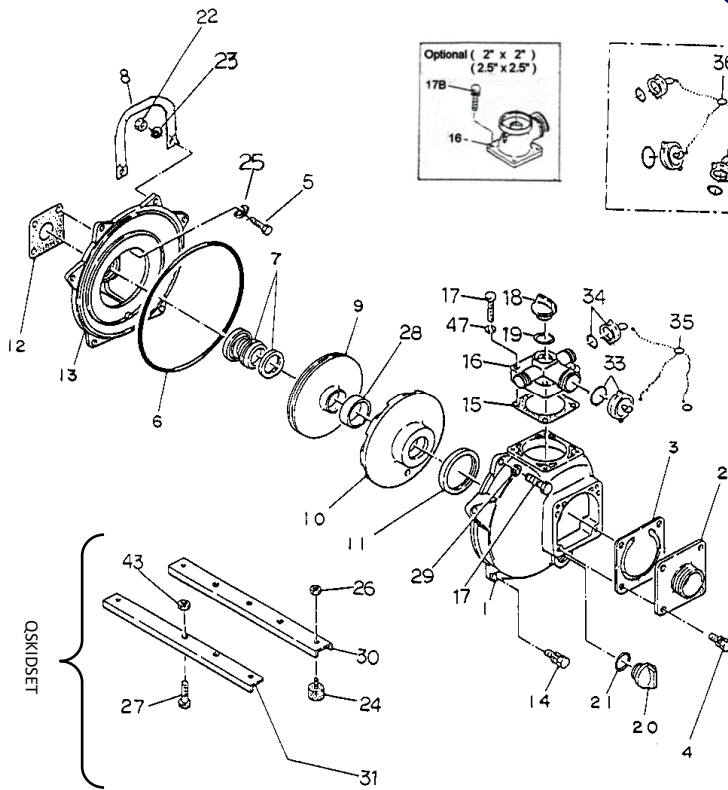
Renew or upgrade
your pump with an
Aussie Wet End Kit
Only \$539

p/n: QP205SEKIT.... 3/4" screwed shaft
p/n QP205SEKIT 5/8" ...5/8" screwed shaft

p/n QP205SDKIT Diesel version
(\$740)



Purchase a kit and **SAVE up to 40%**
on buying individual parts



| Pos | Part number | Description | Qty REQ D | List price EACH |
|-------------------|-------------------|------------------------------------|-----------|-----------------|
| 1 | Q7304-100010 | CASING WITH LOGO | 1 | \$390 |
| 2 | Q1803-100160 | 2" SUCTION COVER | 1 | \$101 |
| 2 | Q4725-060160-0011 | 1.5" SUCTION COVER | 1 | \$191 |
| 2 | Q4904-000160 | 2.5" SUCTION COVER | 1 | \$191 |
| 3 | Q1378-350350 | CHECK VALVE | 1 | \$99 |
| 3 | Q1378-350350V | CHECK VALVE (Viton) | 1 | \$145 |
| 4 | Q018205-0825 | BOLT SET WITH SPRING WASHER | 4 | \$3 |
| 5 | Q019115-0525 | BOLT | 4 | \$5 |
| 6 | Q048935-2550 | O-RING (CASING) | 1 | See kit |
| 7a | Q080311-2320 | MECHANICAL SEAL | 1 | See kit |
| 7b | Q080311-2320V | VITON MECHANICAL SEAL | 1 | \$179 |
| 8 | Q1883-207010-0003 | HANDLE | 1 | \$71 |
| 9a | Q1806-060031 | IMPELLER 3/4" P Shaft (37mm boss) | 1 | \$281 |
| 9b | Q1803-060031 | IMPELLER W Shaft (18mm boss) | 1 | \$281 |
| 9c | Q1814-060031 | IMPELLER 5/8th P Shaft (37mm boss) | 1 | \$281 |
| 9d | Q2242-060030 | IMPELLER for diesel engines | 1 | \$281 |
| 10 | Q1803-100130 | VOLUTE CASING | 1 | \$126 |
| 11 | Q1378-330620 | VOLUTE CASING PACKING | 1 | See kit |
| 12 | Q1211-390610 | CASING COVER PACKING | 1 | See kit |
| 13 | Q9358-100020 | MOUNTING FLANGE - P Type | 1 | \$276 |
| 13 | Q1378-100020 | MOUNTING FLANGE - W Type | 1 | \$276 |
| 14 | Q018205-0825 | BOLT SET WITH SPRING WASHER | 4 | \$3 |
| 15 | Q1803-330360 | DELIVERY COVER PACKING | 1 | See kit |
| 16 | Q1814-100091 | DELIVERY COVER (3way Outlet) | 1 | \$117 |
| 16 | Q1803-000090 | DELIVERY ELBOW 2" | 1 | \$110 |
| 16 | Q4904-000090 | DELIVERY ELBOW 2.5" | 1 | \$276 |
| 17 | Q010505-0840 | BOLT | 6 | \$3 |
| 18 | Q063121-1100ASS | PRIMING/DRAIN PLUG WITH O-RING | 1 | \$29 |
| 19 | Q048035-0300 | O-RING (FLOODING CAP) | 1 | See kit |
| 20 | Q063121-1100ASS | PRIMING/DRAIN PLUG WITH O-RING | 1 | \$29 |
| 21 | Q048035-0300 | O-RING (DRAIN CAP) | 1 | See kit |
| 22 | Q020915-0080 | FLANGE NUT | 2 | \$3 |
| 23 | Q040175-0080 | WASHER | 2 | \$3 |
| 24,26,27,30,31,43 | QSKIDSET | SKID SET | 1 | \$133 |
| 28 | Q1803-521221 | LINER RING | 1 | See kit |
| 29 | Q045128-0080 | SPRING WASHER | 2 | \$3 |
| 36 | QCAPS&CHAINS | CAPS & CHAINS | 1 | \$110 |
| 47 | Q045128-0080 | SPRING WASHER | 4 | \$3 |

Replacement Kits

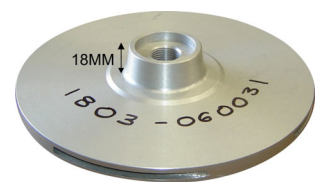
| Part number | Description | Positions | List Price |
|-------------|-----------------------------|-------------------------------|------------|
| Q205S-ORKT | O ring Kit | 6, 11, 15, 19, 21, 28 | \$86 |
| Q205SREJ-2 | Rejuvenation Kit Version 2 | 6, 7a, 11, 12, 15, 19, 21, 28 | \$133 |
| Q205SREJV-2 | Viton seal rejuvenation Kit | 3, 6, 7b, 11, 15, 19, 21, 28 | \$382 |

Note: for diesel drive pumps, other than Robins, use size of engine shaft to determine correct parts

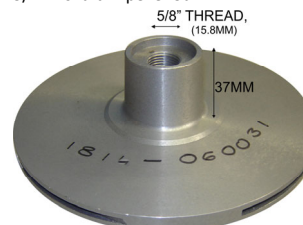
To ensure correct impeller is ordered measure boss as shown below;



3/4" P shaft impeller 9a



W shaft impeller 9b



5/8" P shaft impeller 9c
(as used on GX160E & GX200E only)

NOTE:
To convert a 5/8" engine shaft to 3/4", in order to fit an Aussie QP205SE wet end kit, use QTHREAD ADAPTOR \$54

PUMP PROTECTION

Pressure relief valve

(recommended when using a ball valve or quick action fire nozzles)

10 bar, adjustable, suits all QP fire & high pressure pumps, Inlet 1" BSP, Outlet 1" BSP
Q078908-3410 \$305^{+GST}



FIVE YEAR WARRANTY ON ALL AUSSIE QP PUMPS

... subject to the use of genuine Aussie replacement parts.

