

# Aussie Pumps

## AUSSIE SPARES DIAGRAM & PARTS LIST

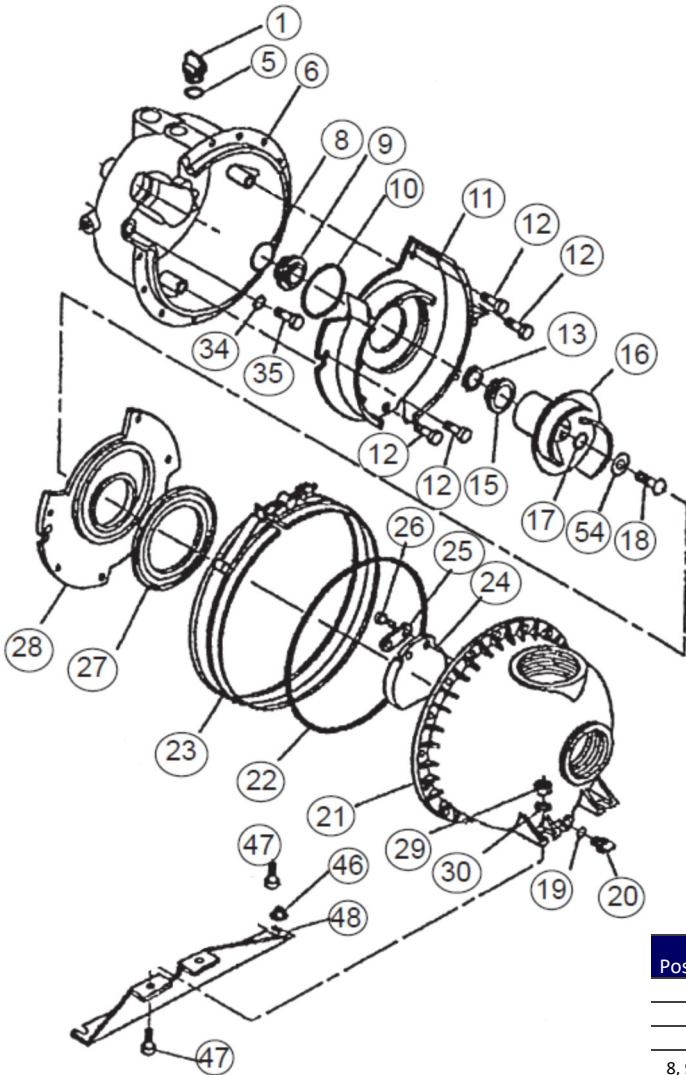
### AUSSIE GENIUS 3" HIGH FLOW POLY PUMPS RTE SERIES

## RENEW OR UPGRADE

AUSSIE POLY WET END KIT

**3" FROM ONLY \$1,125**

(S/CODE RTE3TEP-AU)



#### NEW SERVICE KIT ... NO CHECK VALVE (order separately)

includes all O-rings, impeller screw & key, volute screws, shims to service pump (positions 5, 8, 9, 10, 13 (8 of), 14, 15, 17, 18, 19, 22, 26 (4 of), 34 (4 of))

3"	EPDM	R58.TEP.REP.KIT	1	\$406
----	------	-----------------	---	-------

Position	Part Number	Description	Qty reqd	List price (EACH)
1	R58.0722.30B	Filler plug, polyester	1	\$14
5	R58.0765.72	O-ring filler plug EPDM	1	Service kit
6	R58.46208.32B	Bracket assy. (includes 1,6,8,9)	1	\$815
8, 9, 15	R58.46251.12	Shaft seal assy. stainless steel siliconized graphite, EPDM	1	Service kit
10	R58.46292.72	O-ring, volute	1	Service kit
11	R58.46204.30	Volute, Polyester	1	\$657
12	R58.46269.10	Volute screw, 1/4"-20 x 1", stainless steel	as required	\$9
13	R58.46338.10	Shim, impeller, .015	as required	Service kit
14	R58.46278	Key, steel	1	Service kit
16	R58.46214.30	Impeller, Polyester	1	\$380
17	R58.46290.72	O-Ring, Impeller Screw, EPDM	1	Service kit
18	R58.46309.10	Screw, impeller, stainless steel	1	Service kit
19	R58.1009.72	O-ring, drain plug, EPDM	1	Service kit
20	R58.0723.30	Drain plug, polyester	1	\$9
21	R58.46207.30B	Body assy. (includes 20, 24, 25, 26, 27)	1	\$623
22	R58.46304.72	O-ring, body, EPDM	1	Service kit
23	R58.46305.10	Clamp, V-band, stainless steel	1	\$403
24	R58.46217.72	Check valve, EPDM	1	\$83
25	R58.46344.30	Retainer, check valve, polyester	1	\$27
26	R58.1348.10	Screw, check valve retainer	2	Service kit
27	R58.46206.72	Suction gasket, EPDM	1	\$50
28	R58.46205.30	Wear plate, Polyester	1	\$627
29	R58.0745	Kepnut, 5/16"-18, plated steel	as required	\$3
30	R58.0730	Flat washer, 5/16" plated steel	as required	\$3
34	R58.46303.72	O-ring bracket screw EPDM	4	Service kit
35	R58.46308.12	Bracket screw, stainless steel, with O-Ring	4	\$24
42	R58.46266.71	Slinger	1	\$9
46	R58.46280	Nut, flange, 5/16"-18 plated steel	2	\$6
47	R58.0729	Screw, 5/16"-18 x 1", plated steel	as required	\$6
48	R58.46365	Support, front housing	1	\$172
50	R58.2167	Screw, 5/16"-18 x 1 1/2, plated steel	as required	\$6
51	R58.46379	Chassis	1	\$555

Purchase a kit & SAVE up to 10% on buying individual parts



Scan to view instruction video on how to fit a replacement wet end kit

