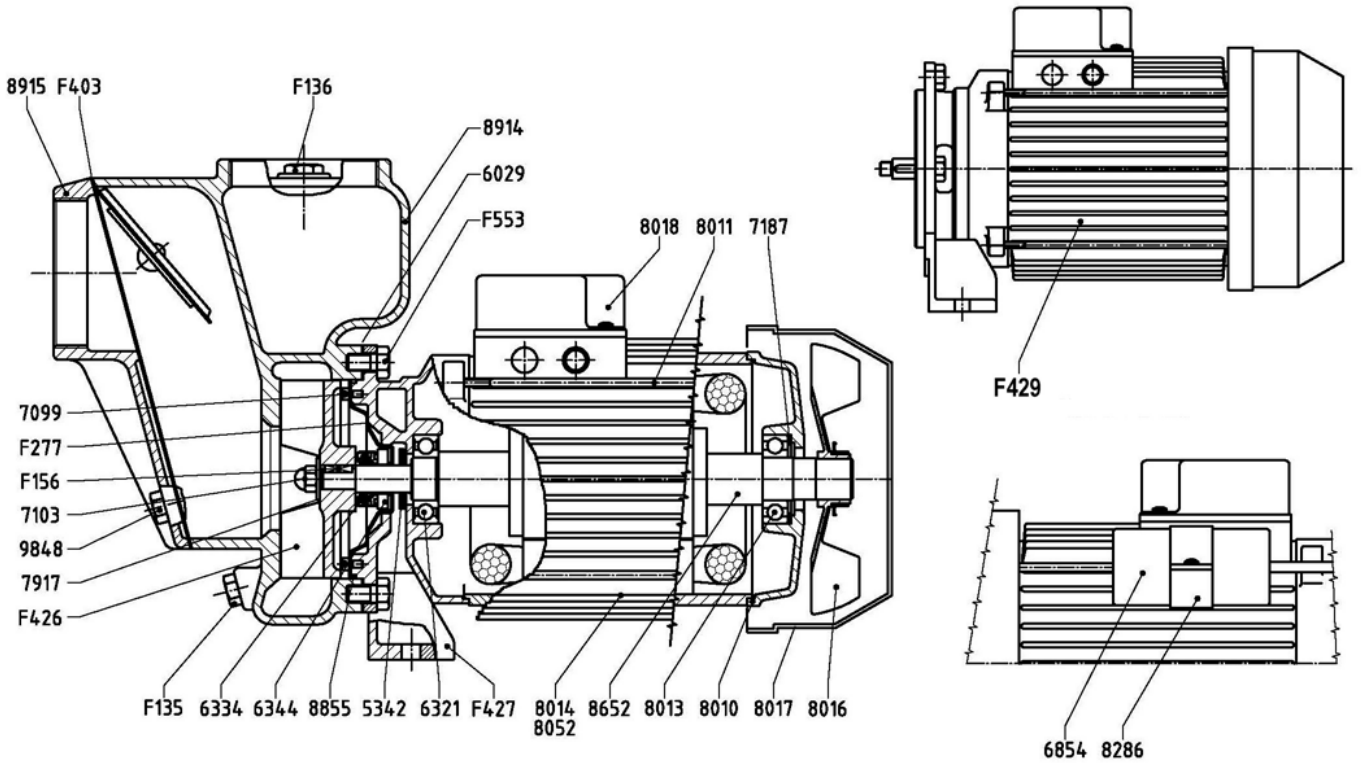




AUSSIE SPARES DIAGRAM & PARTS LIST

AUSSIE GMP PUMPS: B3KQ-A/B WITH 3HP ELECTRIC MOTOR
CAT EAT1 (EABS)



Part Number	Qty	Description	Retail price
5342	1	Rubber Gasket 16x35x3	\$2
5442	1	S/Steel OEB Screw M6x15	\$5
5480	2	Flex. Gasket B 2618	\$8
6029	1	Flex. Gasket B 2618	\$8
F403	1	Check Valve B3KQ-A/B 74	\$89
6334	1	Mech. Seal 16-32-13	\$31
6344	1	Counterface 18-38-8	\$31
7099	4	OEB Screw M 4x10	\$2
7103	1	Brass Nut M 8x1.5	\$5
7281	4	Washer 4x8x0.8	\$1
7917	1	Stainless Steel Washer	\$2
8855	1	OR 3425 107.62x2.62	\$7
8914	1	Bronze Pump Casing	\$1,997

Part Number	Qty	Description	Retail price
8915	1	Bronze Check Valve	\$414
9065	1	Counterweight	\$47
9066	1	Counterweight	\$65
9548	1	Fondi Funder	\$11
9848	6	OEB S/Steel Screw M10x20	\$6
F135	1	Conical Tap 1/4" Gas	\$22
F136	1	Conical Tape 1/2" Gas	\$35
F156	1	Stainless Steel Key B 4x4x16	\$6
F277	1	Stainless Steel Disc B2KQ-A	\$73
F426	1	Impeller B3KQ-A/B 3HP	\$396
F429	1	Motor Mec90-1PH 3HP	\$1,439
F553	4	Stainless Steel Screw M10x18	\$4
F739	1	Steel Nut M6x1	\$7