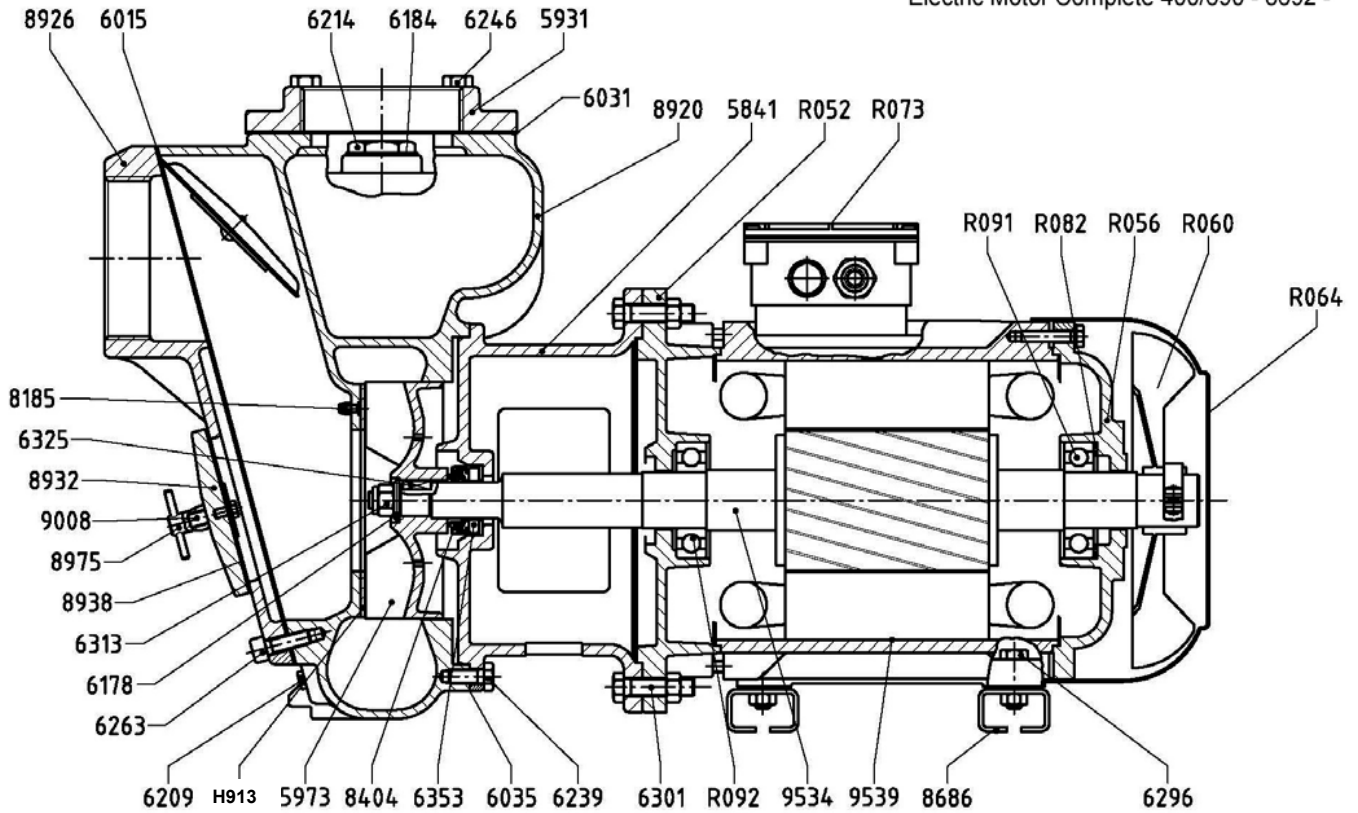




AUSSIE SPARES DIAGRAM & PARTS LIST

AUSSIE GMP PUMPS: B4XR-A/ST WITH 15HP ELECTRIC MOTOR
CAT EAS6

Electric Motor Complete 400/690 - 8692 -



Part Number	Qty	Description	List price
5020	4	T.E. Screw M 10x35	\$2
5841	1	Bracket B 3075/1	\$949
5868	2	Counterweight B4XR-A	\$18
5931	1	Flange B4XR-A G 1083	\$139
5973	1	3-Blade Impeller 15HP	\$1,036
6031	1	Flex. Gasket G 1089	\$13
6035	2	Flex. Gasket B 1056	\$18
6053	1	OR 4125 (31.34x3.53)	\$4
6104	1	Check Valve G 1085	\$95
6161	1	Washer D.7x75x2.5	\$11
6169	2	Copper Washer	\$4
6178	1	Washer B 2901/2	\$5
6184	1	Flex. Washer 41x50x2	\$7
6209	1	Conical Tap 1/4" Gas	\$6
6214	1	Conical Tap 1/4" Gas	\$26
6239	8	Hex. Head Screw M10x25	\$4
6246	4	T.E. Screw M 12x55	\$7
6263	5	OEB Screw M 10x30	\$2
6301	4	Hex. Head Bolt M12x55	\$13

Part Number	Qty	Description	List price
6325	1	Key B 6x6x20	\$5
6353	1	Counterface 27-50-10	\$30
6841	1	Rivet 6.5x20	\$4
7942	4	Zinc Nut M 10x1.5	\$2
8185	8	Torque Nut M5 A2	\$4
8404	1	Mech. Seal 25-47-14	\$268
8686	2	Base Elec. Motor	\$154
8692	1	Motor 15 HP 400/690V.	\$4,540
8920	1	Pump Casing B4XR-A/ST	\$3,203
8926	1	Valve Body B4XR-A/ST	\$570
8932	1	Inspection Door	\$154
8938	2	Gasket for Inspect. Door	\$30
H913	1	Complete Stainless Steel Disc kit	\$185
8975	2	Complete Pin M10	\$54
9008	2	Grub Screw M10x70	\$6
9282	2	Protection Net	\$11
F159	4	Washer	\$6
F476	1	Nut M12x1.75	\$14