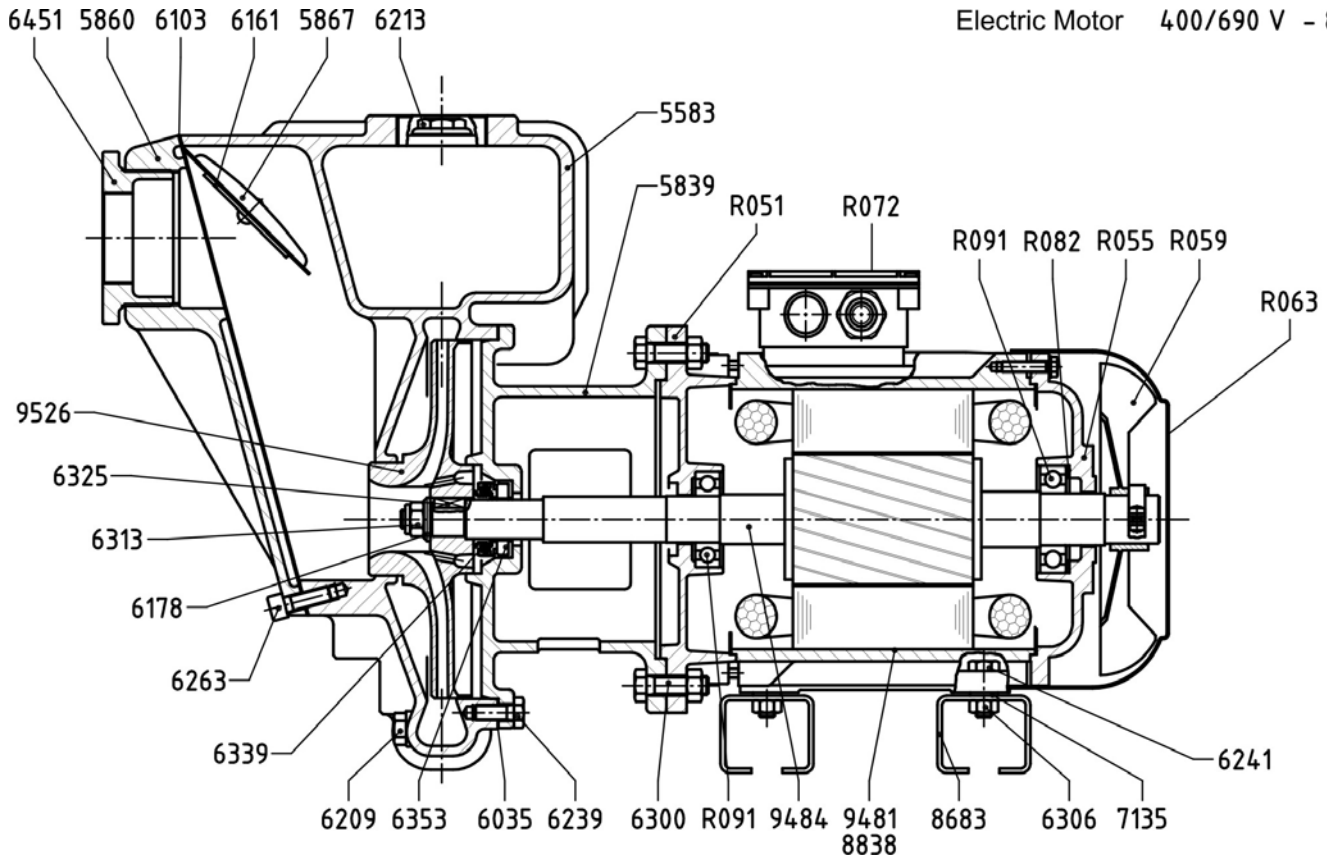




AUSSIE SPARES DIAGRAM & PARTS LIST

AUSSIE GMP PUMPS: B1½ZPM-A WITH 10HP ELECTRIC MOTOR
CAT EAL5

Electric Motor 400/690 V - 8691 -



Part Number	Qty	Description	Retail price
5583	1	PUMP CASING B2ZRM-A	\$4,388
5860	1	VALVE BODY B3XR-A	\$438
5867	1	COUNTERWEIGHT B3XR-A	\$18
6035	1	FLEXOL.GASKET B 1056	\$18
6103	1	CHECK VALVE B 2583/1	\$82
6161	1	WASHER D.7x75x2, 5	\$11
6178	1	WASHER D.12x28x4	\$5
6209	1	CONICAL TAP 1/4" GAS	\$5
6213	1	CONICAL TAP 1" GAS	\$7
6239	8	HEX. HEAD SCREW M10x25	\$2
6263	7	OEB SCREW M 10x30	\$2
6300	4	HEX.HEAD BOLT M12x40	\$5
6339	1	MECH. SEAL 25-47-14	\$46
6353	1	COUNTERFACE 27-50-10	\$31
6451	1	CONNECTION	\$95

Part Number	Qty	Description	Retail price
8683	2	MOTOR FOOT SCH-2737/E	\$70
6241	4	T.E. SCREW M 10x30	\$2
6306	4	HEXAGONAL NUT M10x1,5	\$7
7135	4	WASHER 10x18x2	\$2
8691	1	MOTOR 10HP 400/690v	\$4,150
6325	1	KEY B 6x6x20	\$5
6052	1	OR 133 (24,99x3,53)	\$8
9526	1	IMPELLER B.1035/1A	\$1,188
6841	1	RIVET 6,5x20	\$4
F476	1	LOCK NUT 12MA AISI316	\$14
H270	2	UNDER PLUG 2"-DIAM.58	\$0
L312	1	FLANGE IN CAST IRON	\$478
L299	1	BRACKET FOR MOTOR	\$590
7726	6	COPPER WASHER	\$2
7674	6	INOX OEB SCREW M 8x25	\$7