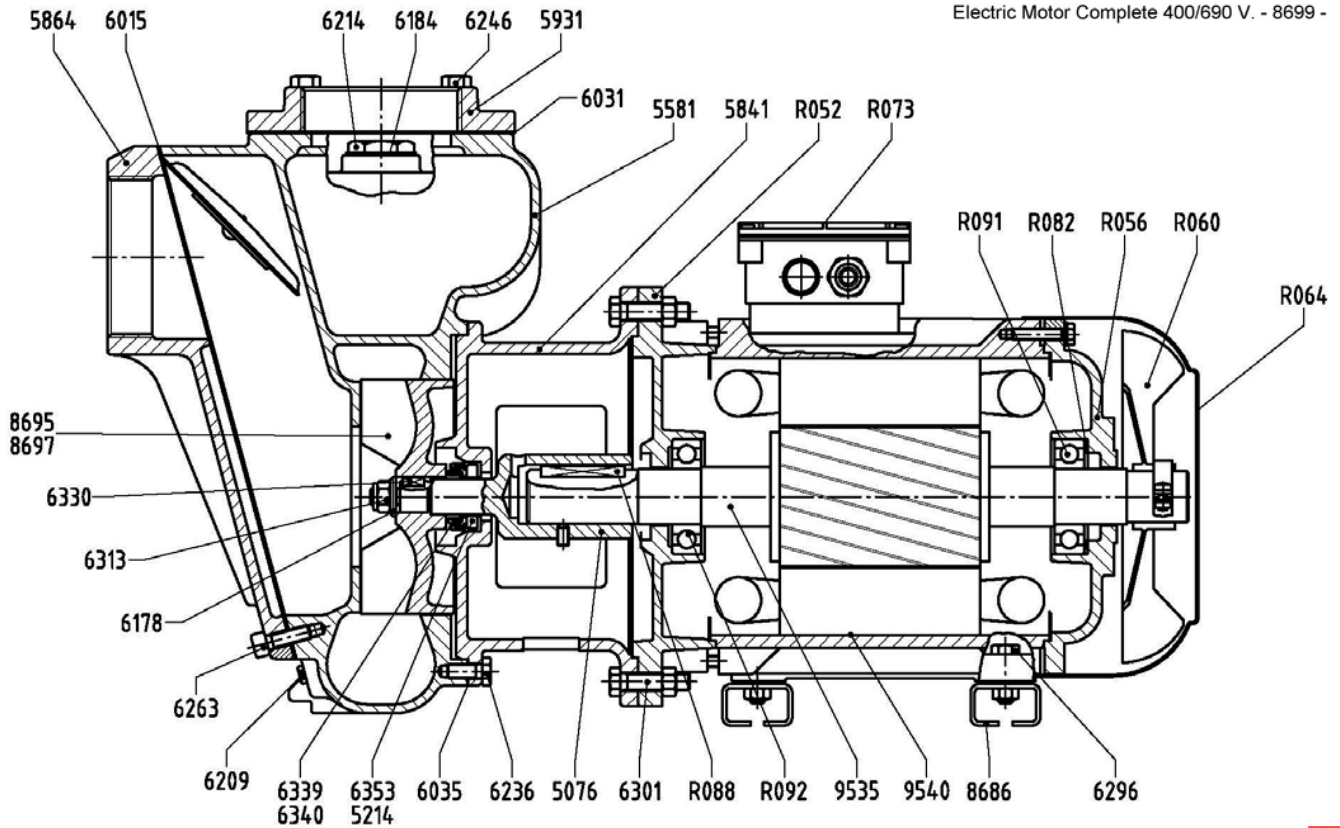




AUSSIE SPARES DIAGRAM & PARTS LIST

AUSSIE GMP PUMPS: B4XR-A WITH 20HP ELECTRIC MOTOR
CAT EAG5 (EAFN)



Part Number	Qty	Description	Retail price
5020	4	T.E. Screw M 10x35	\$2
5076	1	Extension Shaft	\$415
5188	2	Grub Screw	\$2
5581	1	Pump Casing B4XR-A	\$3,107
5841	1	Bracket B 3075/1	\$949
5864	1	Valve Body B4XR-A	\$570
5868	2	Counterweight B4XR-A	\$18
5931	1	Flange B4XR-A G 1083	\$139
6031	1	Flex. Gasket G 1089	\$13
6035	2	Flex. Gasket B 1056	\$18
6104	1	Check Valve G 1085	\$95
6161	1	Washer D.7x75x2.5	\$11
6178	1	Washer B 2901/2	\$5
6184	1	Flex. Washer 41x50x2	\$7
6209	1	Conical Tap 1/4" Gas	\$6

Part Number	Qty	Description	Retail price
6214	1	Conical Tap 1 1/4" Gas	\$26
6239	8	Hex. Head Screw M10x25	\$4
6246	4	T.E. Screw M 12x55	\$7
6263	7	OEB Screw M 10x30	\$2
6301	4	Hex. Head Bolt M12x55	\$13
6330	1	Key 6x6x15	\$5
6339	1	Mech. Seal 25-47-14	\$43
6353	1	Counterface 27-50-10	\$30
6841	1	Rivet 6.5x20	\$4
7942	4	Zinc Nut M 10x1.5	\$2
8686	2	Base Elec. Motor	\$154
8695	1	Impeller G 1081/L	\$778
8699	1	Electric Motor 20 HP	\$5,956
9282	2	Protection Net	\$11
F476	1	Nut M12x1.75	\$14