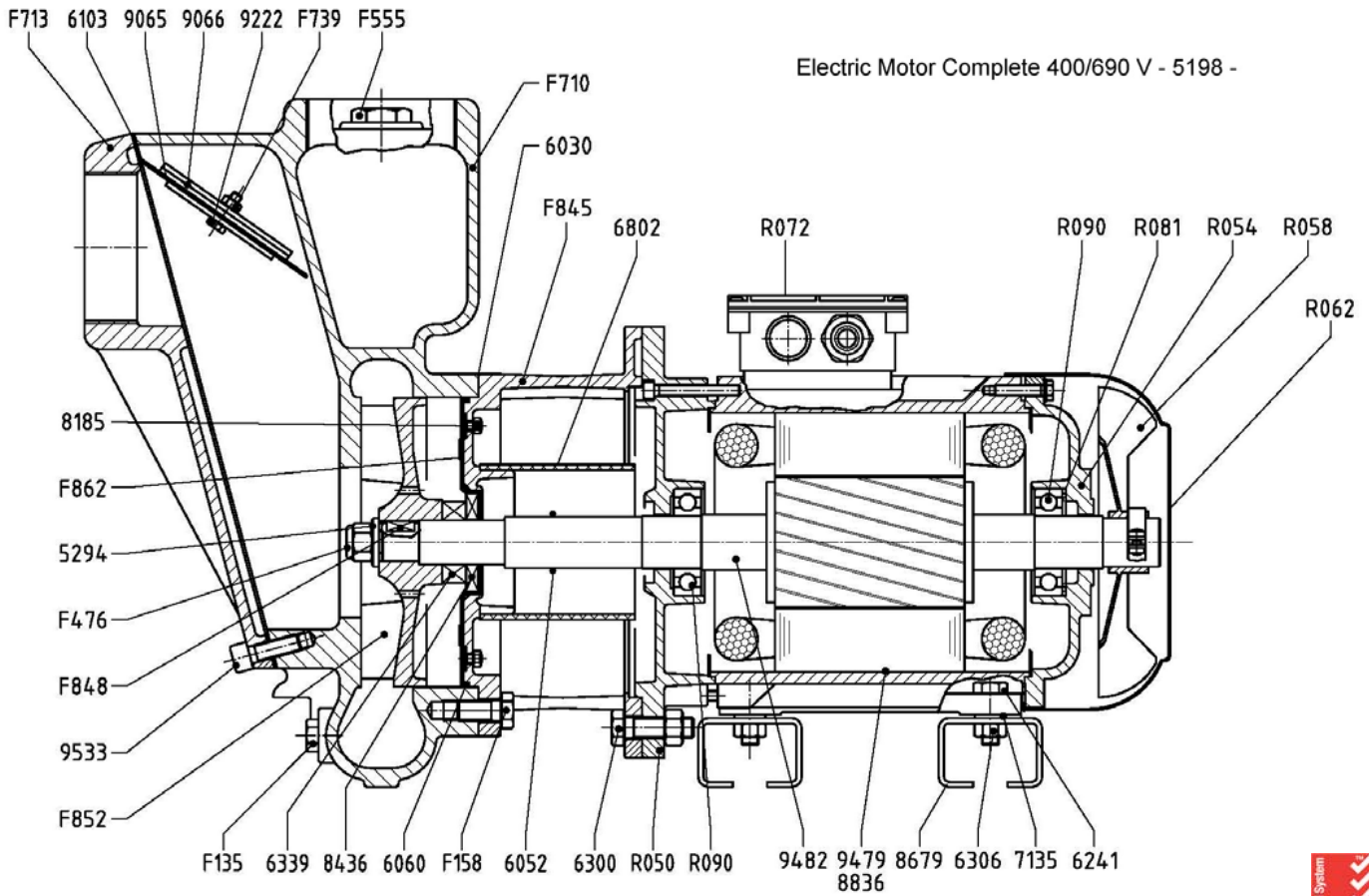




AUSSIE SPARES DIAGRAM & PARTS LIST

AUSSIE GMP PUMPS: B3XR-A/B WITH 5.5HP ELECTRIC MOTOR
CAT EAB5



Part Number	Qty	Description	Retail price
5198	1	Electric Mot. 5.5 HP	\$2,437
5294	2	Washer 12x26x2	\$4
5441	2	Flex. Gasket 0.2mm	\$12
6030	1	Flex. Gasket B 2587	\$12
6052	1	OR 133 (24.99x3.53)	\$13
6060	1	OR 4625 (158.3x3,.53)	\$5
6103	1	Check Valve B 2583/1	\$78
6241	4	T.E. Screw M 10x30	\$2
6300	4	Hex. Head Bolt M12x40	\$5
6306	4	Hexagonal Nut M10x1.5	\$7
6339	1	Mech. Seal 25-47-14	\$43
6802	1	Pipe PEHD D.90	\$8
7135	4	Washer 10x18x2	\$4
8185	8	Torque Nut M5 A2	\$4
8436	1	Counterface 26-57-7	\$127
8679	2	Foot Elec. Motor 5.5HP	\$109

Part Number	Qty	Description	Retail price
9065	1	Counterweight	\$47
9066	2	Counterweight	\$65
9222	1	Stainless Steel Screw M6x20	\$1
9533	7	Screw OEB M10x30	\$10
F135	1	Conical Tap 1/4" Gas	\$22
F158	4	Stainless Steel Screw M12x25	\$11
F476	1	Nut M12x1.75	\$14
F555	1	Tap AISI 316 1"G	\$116
F710	1	Bronze Pump Casing	\$4,847
F713	1	Valve Body B3XR-A	\$917
F739	1	Steel Nut M6x1	\$7
F845	1	Support	\$1,099
F848	1	Stainless Steel Key B 6x6x20	\$7
F852	1	Bronze Impeller	\$887
F862	1	Stainless Steel Disc	\$168