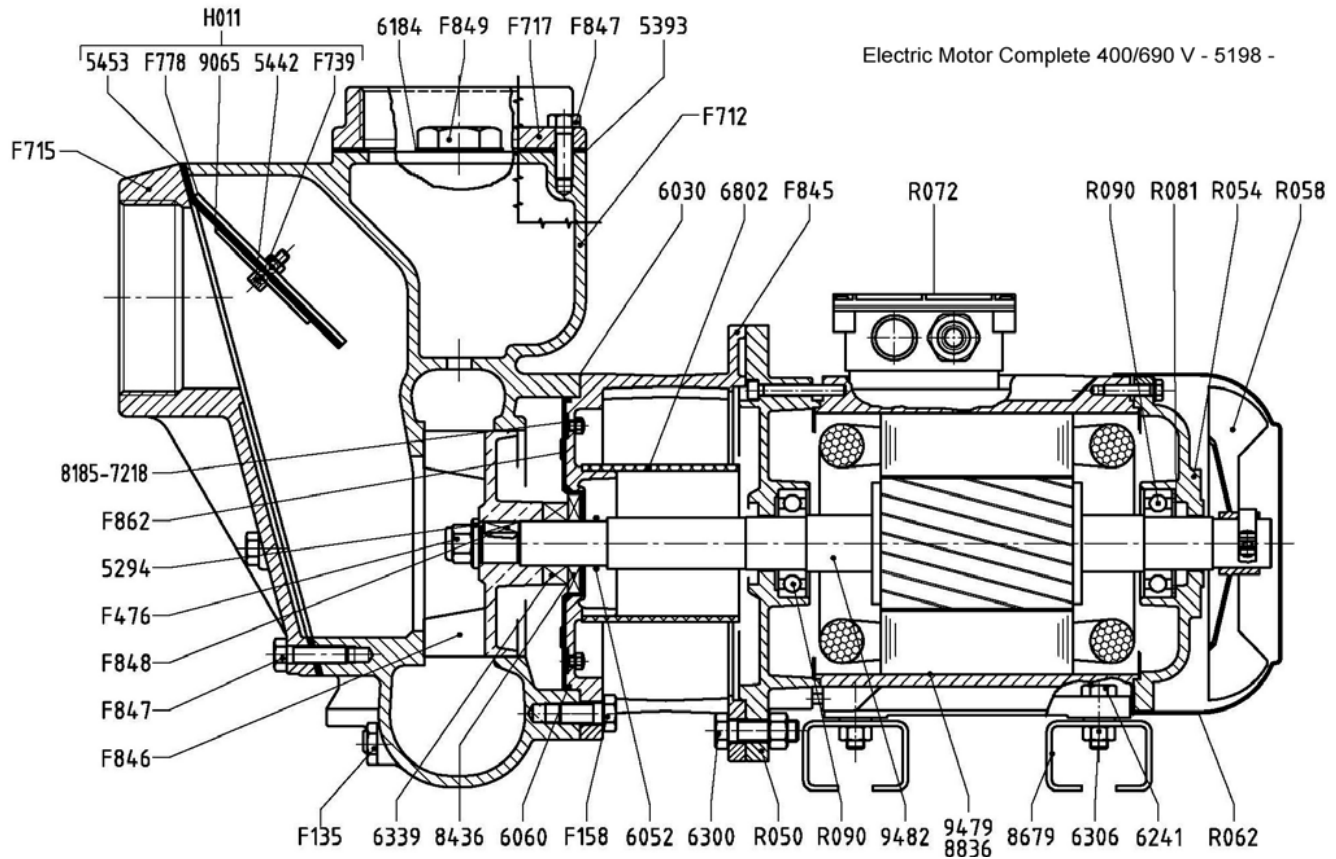




AUSSIE SPARES DIAGRAM & PARTS LIST

AUSSIE GMP PUMPS: B4KQ-A/B WITH 5.5HP ELECTRIC MOTOR
CAT EAB4



Part Number	Qty	Description	Retail price
5198	1	Electric Mot. 5.5 HP	\$2,437
5294	2	Washer 12x26x2	\$4
5393	1	Rubber Gasket B 3207	\$17
5442	1	S/Steel OEB Screw M6x15	\$5
5453	1	Valve Gasket B 3206	\$83
6030	1	Flex. Gasket B 2587	\$12
6052	1	OR 133 (24.99x3.53)	\$13
6060	1	OR 4625 (158.3x3,.53)	\$5
6184	1	Flex. Washer 41x50x2	\$7
6241	4	T.E. Screw M 10x30	\$2
6300	4	Hex. Head Bolt M12x40	\$5
6306	4	Hexagonal Nut M10x1.5	\$7
6339	1	Mech. Seal 25-47-14	\$43
6802	1	Pipe PEHD D.90	\$8
7135	4	Washer 10x18x2	\$4
7218	8	Washer	\$1
8185	8	Torque Nut M5 A2	\$4

Part Number	Qty	Description	Retail price
8436	1	Counterface 26-57-7	\$127
8679	1	Foot Elec. Motor 5.5HP	\$109
9065	1	Counterweight	\$47
F135	1	Conical Tap 1/4" Gas	\$22
F158	4	Stainless Steel Screw M12x25	\$11
F476	1	Nut M12x1.75	\$14
F712	1	Pump Casing B4KQ-A/B	\$5,320
F715	1	Valve Body B4KQ-A	\$1,034
F717	1	Bronze Flange B4KQ-A	\$580
F739	1	Steel Nut M6x1	\$7
F778	1	Stainless Steel Washer AISI 316	\$89
F845	1	Support	\$1,099
F846	1	Impeller B4KQ-A/B	\$887
F847	11	Stainless Steel Screw M10x30	\$10
F848	1	Stainless Steel Key B 6x6x20	\$7
F849	1	Tap 1/4" AISI 316	\$19
F862	1	Stainless Steel Disc	\$168