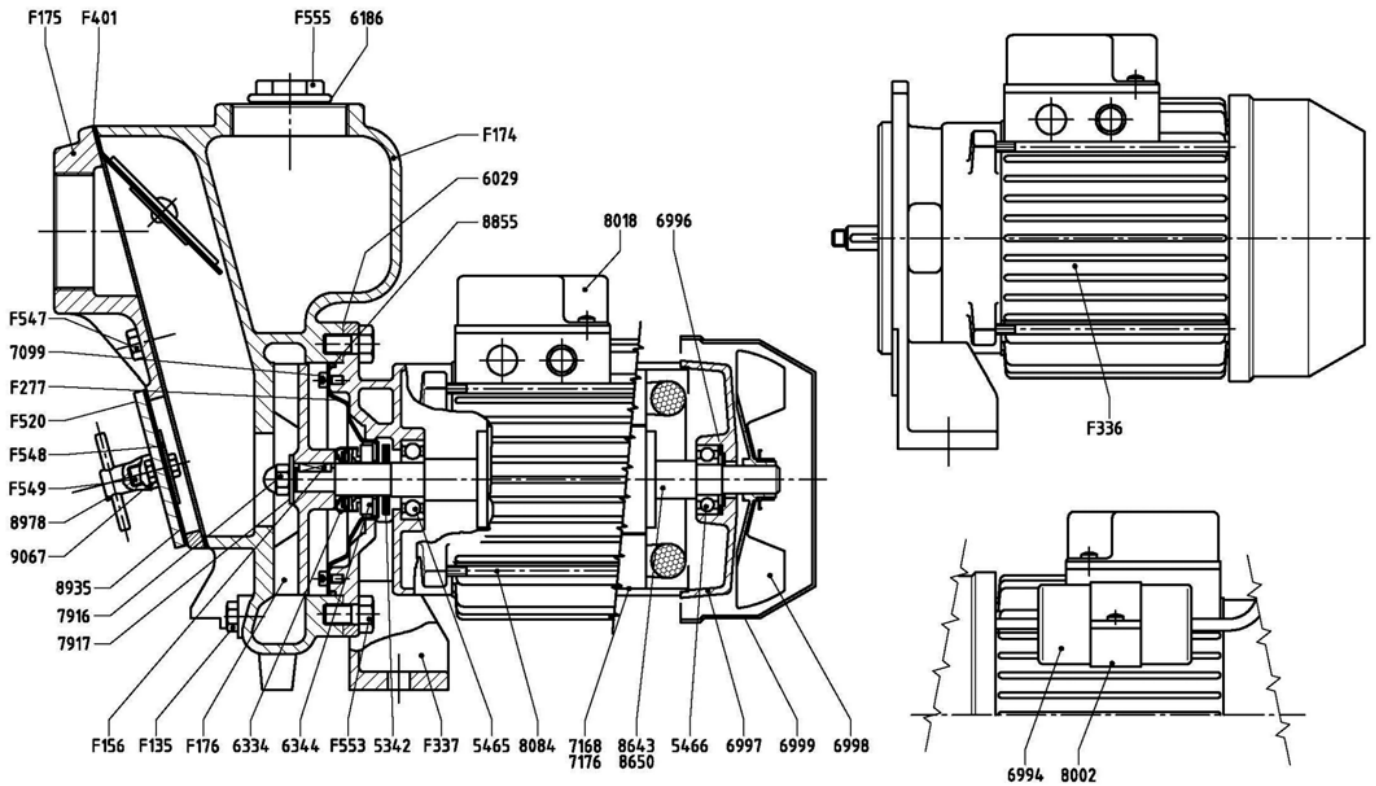




# AUSSIE SPARES DIAGRAM & PARTS LIST

AUSSIE GMP PUMPS: B2KQ-A "X" S/S WITH 2HP ELECTRIC MOTOR  
CAT EA7T



Part Number	Qty	Description	Retail price
5342	1	Rubber Gasket 16x35x3	\$2
5442	1	S/Steel OEB Screw M6x15	\$5
5480	2	Flex. Gasket B 2618	\$8
6029	1	Flex. Gasket B 2618	\$8
6101	1	Check Valve 2616/2	\$26
6186	1	Flex. Washer 33x39x2	\$2
6334	1	Mech. Seal 16-32-13	\$31
6344	1	Counterface 18-38-8	\$31
7099	4	OEB Screw M 4x10	\$2
7399	4	Brass Washer D. 4	\$1
7916	1	Stainless Steel Nut M 8	\$7
8855	1	OR 3425 107.62x2.62	\$7
8935	1	Gasket Inspect. Door	\$22
8978	2	Complete Pin M8	\$43
9064	1	Counterweight Washer	\$36
9065	1	Counterweight	\$47

Part Number	Qty	Description	Retail price
9067	2	Nut TE M6x12	\$2
9616	1	PVC Cable	\$52
F135	1	Conical Tap 1/4" Gas	\$22
F156	1	Stainless Steel Key B 4x4x16	\$6
F174	1	Stainless Steel Pump Casing	\$3,841
F176	1	3-Blades Impeller	\$887
F277	1	Stainless Steel Disc B2KQ-A	\$73
F336	1	Motor MEC 80 2HP 1PH	\$959
F520	1	Inspection Door	\$112
F547	4	Screw M8x20 AISI 316	\$4
F548	1	Washer D.6.5x24x2	\$2
F549	2	Screw M8x40 AISI 316	\$10
F553	4	Stainless Steel Screw M10x18	\$4
F555	1	Tap AISI 316 1"G	\$116
F739	1	Steel Nut M6x1	\$7