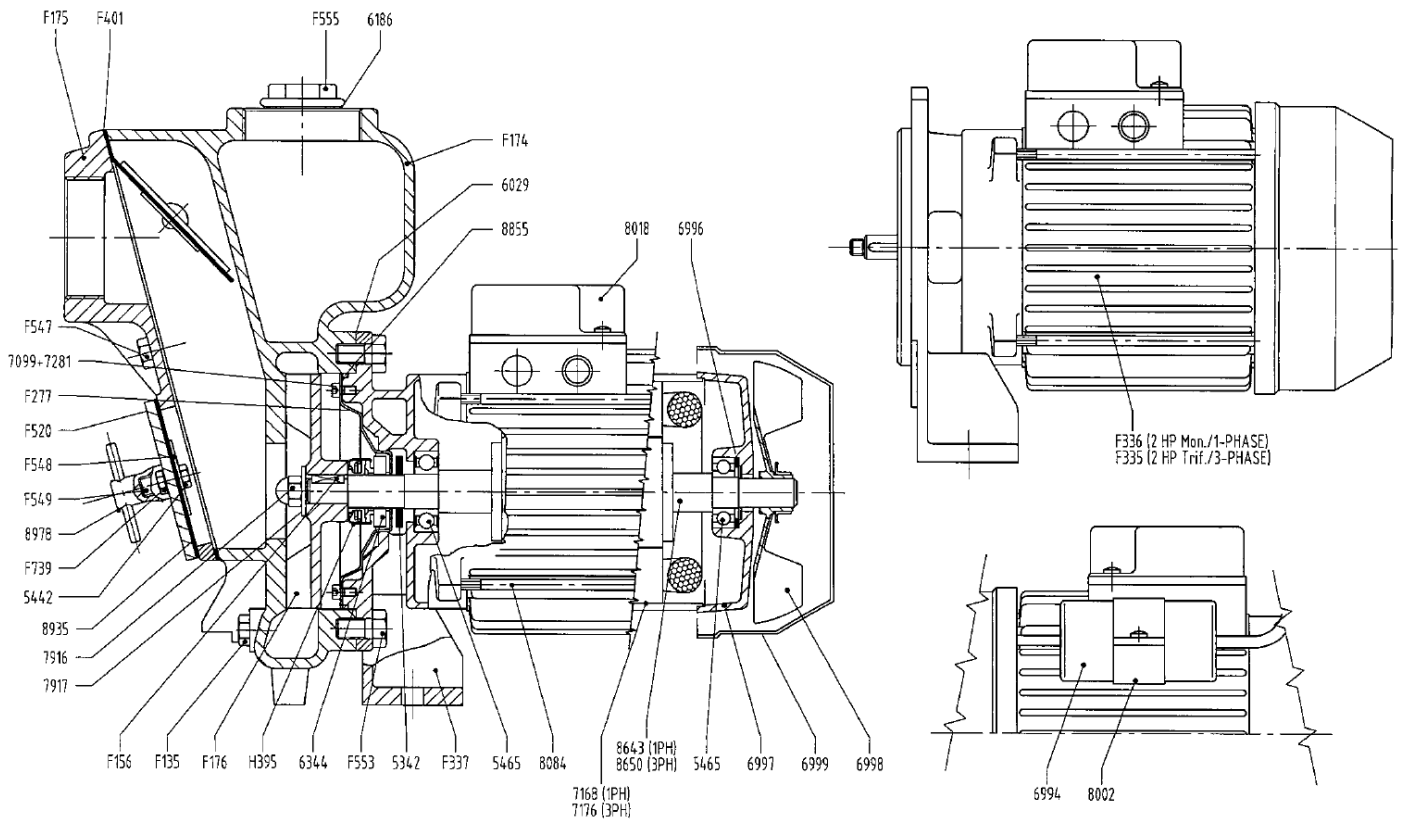




AUSSIE SPARES DIAGRAM & PARTS LIST

AUSSIE GMP PUMPS: B2KQ-A "X" WITH 2HP ELECTRIC MOTOR
CAT EA7E



Part Number	Qty	Description	List price
5342	1	Rubber Gasket 16x35x3	\$2
5442	2	S/Steel OEB Screw M6x15	\$5
5465	1	Bearing 20-47-14	\$50
6029	1	Flex. Gasket B 2618	\$8
6186	1	Flex. Washer 33x39x2	\$2
6344	1	Counterface 18-38-8	\$31
7099	4	OEB Screw M 4x10	\$2
7916	1	Stainless Steel Nut M 8	\$7
7917	1	Stainless Steel Washer	\$2
8855	1	OR 3425 107.62x2.62	\$7
8935	1	Gasket Inspect. Door	\$22
8978	2	Complete Pin M8	\$43

Part Number	Qty	Description	List price
F135	1	Conical Tap 1/4" Gas	\$22
F156	1	Stainless Steel Key B 4x4x16	\$6
F174	1	Stainless Steel Pump Casing	\$3,841
F175	1	Valve B2KQ-A AISI 316	\$858
F176	1	3-Blades Impeller	\$887
F277	1	Stainless Steel Disc B2KQ-A	\$73
F335	1	Motor Mec80 2HP 3PH	\$959
F401	1	Complete check valve	\$66
F520	1	Inspection Door	\$112
F547	4	Screw M8x20 AISI 316	\$4
F548	1	Washer D.6.5x24x2	\$2
F549	2	Screw M8x40 AISI 316	\$10
F553	4	Stainless Steel Screw M10x18	\$4
F555	1	Tap AISI 316 1"G	\$116
F739	1	Steel Nut M6x1	\$7
H395	1	Mech. Seal 16-32-13	\$31