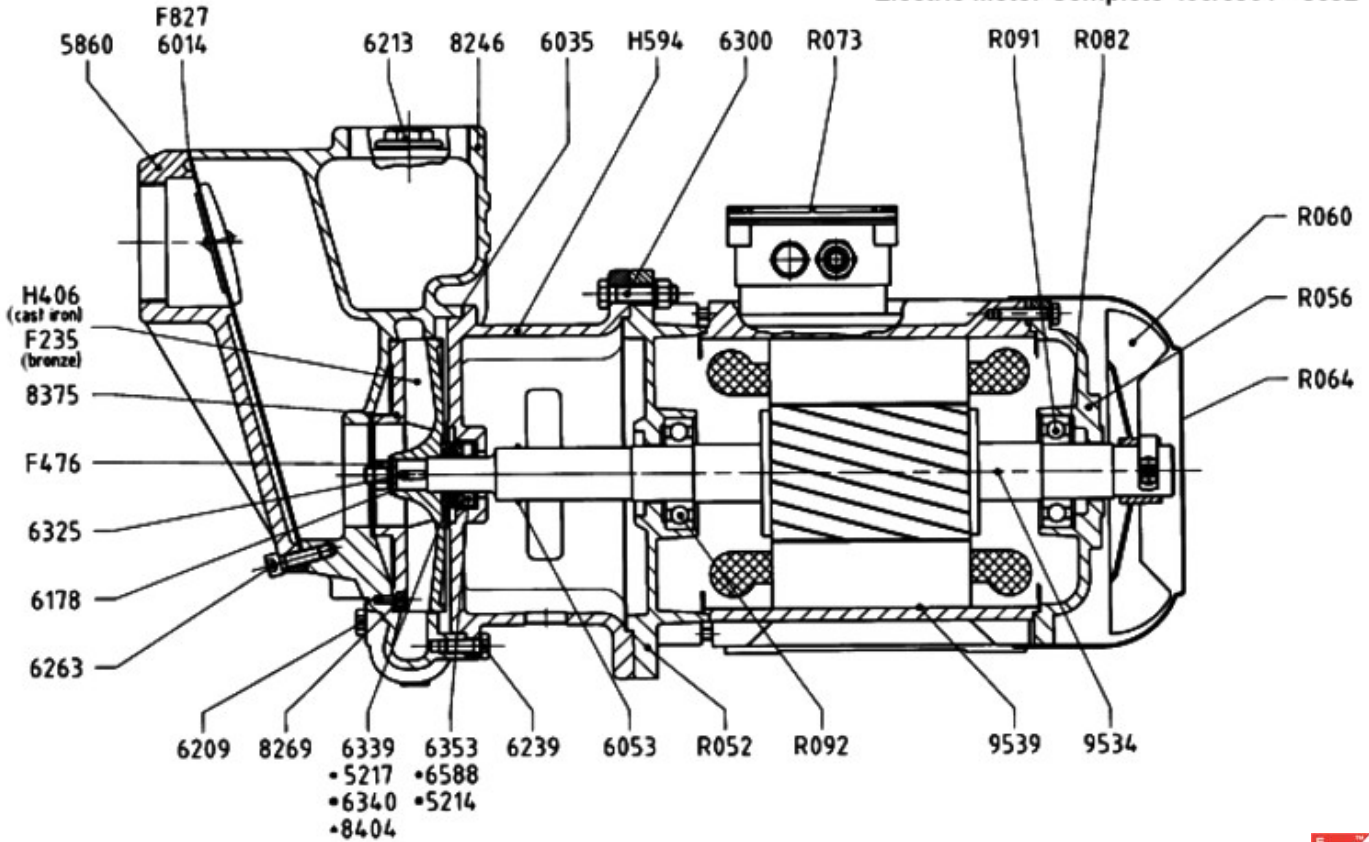




AUSSIE SPARES DIAGRAM & PARTS LIST

AUSSIE GMP PUMPS: G3TMK-A WITH 15HP ELECTRIC MOTOR MEC 132
CAT EA5E

Electric Motor Complete 400/690V - 8692



▲ Silicon Carbide ■ Tungsten ● Viton



Part Number	Qty	Description	Retail price
5860	1	Valve Body B3XR-A	\$415
5867	1	Counterweight B3XR-A	\$18
6035	2	Flex. Gasket B 1056	\$18
6053	1	OR 4125 (31.34x3.53)	\$4
6103	1	Check Valve B 2583/1	\$78
6161	1	Washer D.7x75x2.5	\$11
6178	1	Washer B 2901/2	\$5
6209	1	Conical Tap 1/4" Gas	\$6
6213	1	Conical Tap 1" Gas	\$7
6239	8	Hex. Head Screw M10x25	\$4
6263	7	OEB Screw M 10x30	\$2
6300	4	Hex. Head Bolt M12x40	\$5
6325	1	Key B 6x6x20	\$5

Part Number	Qty	Description	Retail price
6339	1	Mech. Seal 25-47-14	\$43
6353	1	Counterface 27-50-10	\$30
6841	1	Rivet 6.5x20	\$4
8246	1	Pump Casing B-2450/1	\$2,228
8269	3	Steel OEB Screw M6x12	\$5
8375	1	Wear Disc B-2451	\$294
8692	1	Motor 12.5 HP 400/690V.	\$4,538
9282	2	Protection Net	\$10
F235	1	Bronze Impeller	\$1,104
F476	1	Nut M12x1.75	\$14
H272	1	Under Plug 3"	
H594	1	Support G3TMK-A 15HP	\$624