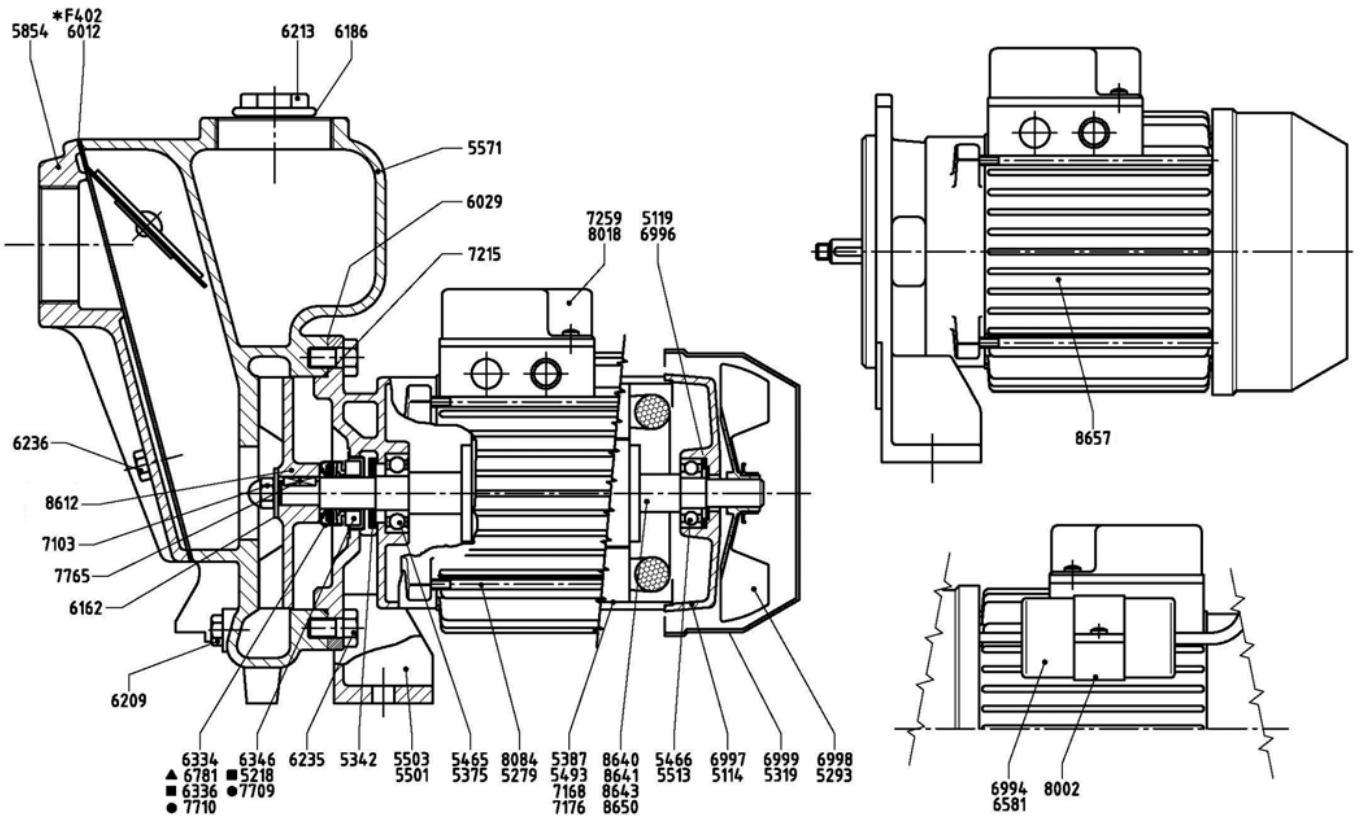




AUSSIE SPARES DIAGRAM & PARTS LIST

AUSSIE GMP PUMPS: B2KQ-A WITH 2HP ELECTRIC MOTOR
CAT EA3H



▲ Silicon Carbide ■ Tungsten ● Viton



Part Number	Qty	Description	Retail price
5342	1	Rubber Gasket 16x35x3	\$2
5480	2	Flex. Gasket B 2618	\$8
5571	1	Pump Casing B2KQ-A	\$820
5854	1	Valve Body B2KQ-A	\$156
6029	1	Flex. Gasket B 2618	\$8
6101	1	Check Valve 2616/2	\$26
6161	1	Washer D.7x75x2.5	\$11
6162	1	Washer 8x17x1.5	\$2
6168	1	Washer B 2621/2	\$7
6186	1	Flex. Washer 33x39x2	\$2
6209	1	Conical Tap 1/4" Gas	\$6
6213	1	Conical Tap 1" Gas	\$7

Part Number	Qty	Description	Retail price
6235	4	T.E. Screw M 10x18	\$2
6236	6	Hex. Head Screw M10x20	\$2
6334	1	Mech. Seal 16-32-13	\$31
6346	1	Counterface S 5645	\$31
7103	1	Brass Nut M 8x1.5	\$5
8612	1	Impeller B2KQ-A 2HP	\$251
8657	1	Motor Mec80 2HP 230V.	\$959
9194	1	Complete Cond. Box	\$34
9325	1	Rivet 6x12	\$2
9616	1	PVC Cable	\$52
F156	1	Stainless Steel Key B 4x4x16	\$6