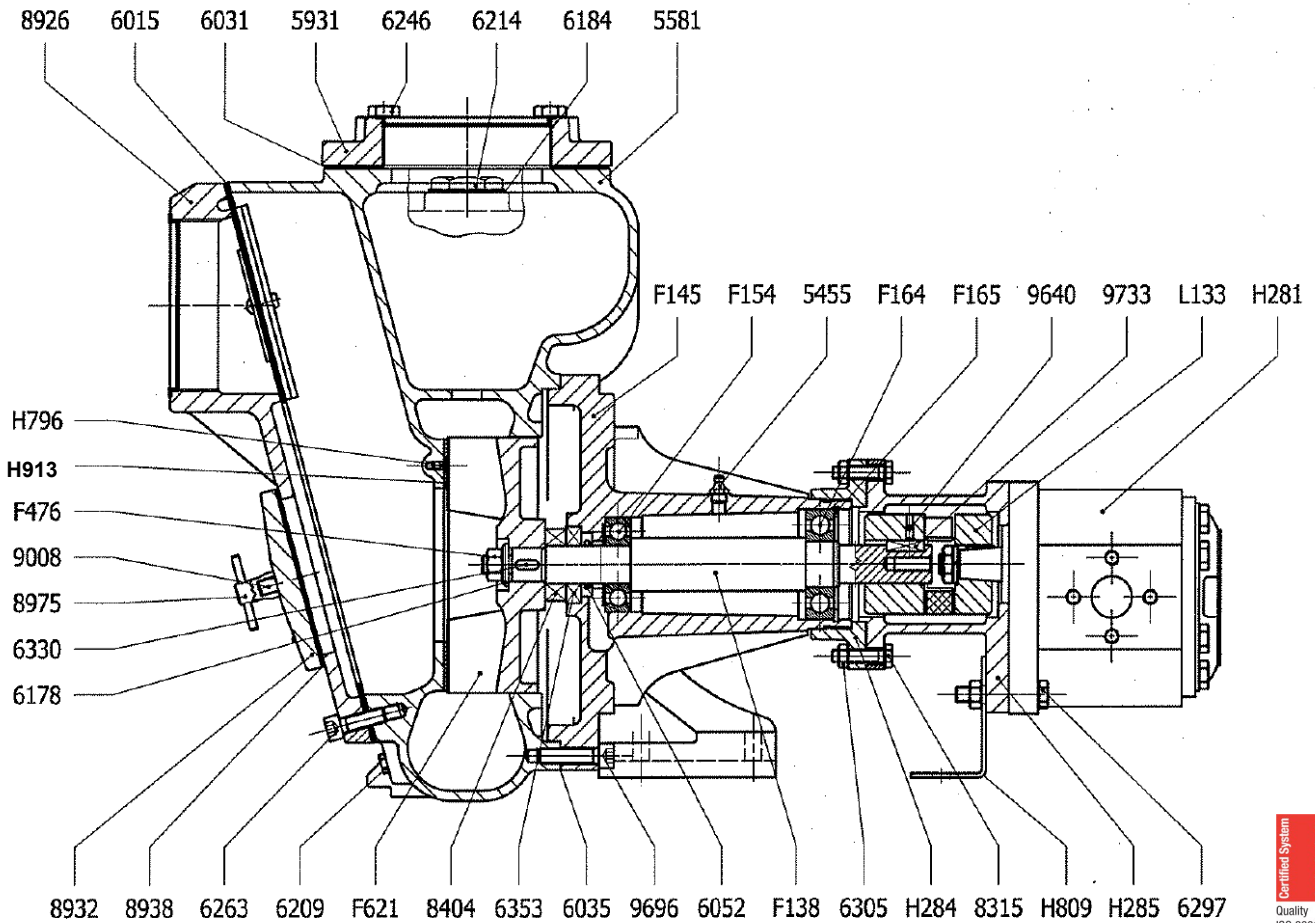




AUSSIE SPARES DIAGRAM & PARTS LIST

AUSSIE GMP PUMPS: B4XR-A/ST FOR CYLINDRICAL 1" SHAFT WITH KEY MOTORS
CAT ASE9



Part Number	Qty	Description	List price
5455	1	GREASER G 1/8 "	\$4
5581	1	PUMP CASING B4XR-A	\$1,877
5931	1	FLANGE B4XR-A G 1083	\$394
6015	1	COMPLETE CHECK VALVE	\$178
6031	1	FLEX. GASKET G 1089	\$7
6035	2	FLEX. GASKET B 1056	\$9
6052	1	OR 133 (24,99x3,53)	\$2
6168	1	ZINC WASHER 8x8x1,5	\$3
6178	1	WASHER D.12x28x4	\$8
6184	1	FLEX. WASHER 41x50x2	\$2
6209	1	CONICAL TAP 1/4 GAS "	\$5
6214	1	CONICAL TAP 11/4 GAS	\$13
6246	4	T.E.SCREW M 12x55	\$4
6297	4	NUT T.E. M10 x 50	\$4
6305	4	NUT M 8 X 1, 25	\$1
6330	1	KEY 6 X 6 X 15	\$5
6353	1	COUNTERFACE 27-50-10	\$30
8315	4	SCREW T.E. M8x35	\$2
8404	1	MECH SEAL 25-47-14 Silicon-carbide/Nbr	\$268
8926	1	VALVE BODY B4XR-A/ST	\$530
8932	1	INSPECTION DOOR B4XR-A ST	\$69
8938	2	GASKET INSPECT. DOOR	\$16
8975	2	COMPLET PIN M10	\$39
9468	2	GRUB SCREW M10 X 60	\$11

Part Number	Qty	Description	List price
9640	1	E.I. GRUB SCREW M 5 X 6	\$3
9696	8	OEB SCREW M10 X 40	\$2
9733	1	KEY B 8 X 7 X 25	\$5
F138	1	STAINLESS STEEL SHAFT	\$628
F145	1	BRACKET G3TMK-A and B4XRA "W"	\$1,058
F154	1	BEARING 6305-2RS	\$80
F164	1	BEARING 6306-2RS	\$120
F165	1	SEEGER RING I 72	\$6
F476	1	LOCK NUT 12 MA AISI316	\$1
F621	1	IMPELLER	\$446
H273	2	UNDER PLUG 4 "	
H281	1	HYDRAULIC MOTOR PLM 30.34	\$2,196
H284	1	COUPLING FLANGE	\$175
H285	1	SUPPORT FOR HYDRAULIC MOTOR	\$395
H310	1	WASHER 63x80x0,5	\$5
H796	3	SCREW M5 X 10	\$4
H809	1	FOOT FOR HYDR.MOTOR	
H913	1	COMPLETE STAINLESS WEAR PLATE KIT	\$179
L133	1	FLEXIBLE COUPLING	\$494
L372	5	OEB SCREW M10 X 35	\$5