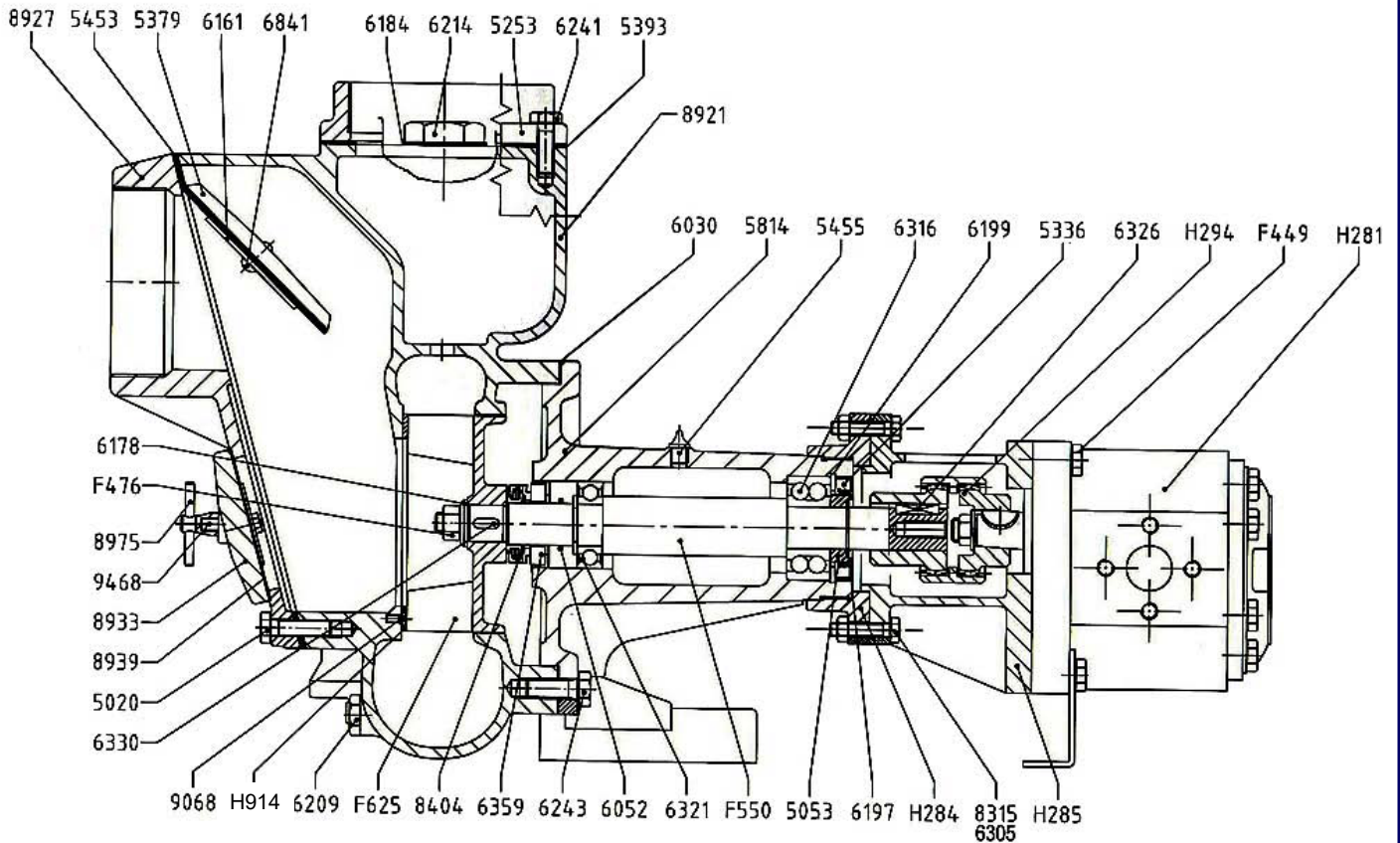




AUSSIE SPARES DIAGRAM & PARTS LIST

AUSSIE GMP PUMPS: B4KQ-A/ST HYDRAULIC MOTOR
CAT ASD8



Part Number	Qty	Description	List price
5020	7	T.E. Screw M 10x35	\$2
5053	1	Sleeve G 1005/1	\$24
5253	1	Flange B 3203	\$53
5336	1	Oil Seal 40x62x10	\$14
5379	1	Counterweight B 3205	\$13
5393	1	Rubber Gasket B 3207	\$17
5453	1	Valve Gasket B 3206	\$83
5455	1	Greaser G 1/8"	\$7
5814	1	Support B 3XR-A	\$992
6030	1	Flex. Gasket B 2587	\$12
6052	1	OR 133 (24.99x3.53)	\$13
6161	1	Washer D.7x75x2.5	\$11
6168	1	Washer B 2621/2	\$7
6169	2	Copper Washer	\$4
6173	1	Washer 10x30x6	\$7
6178	1	Washer B 2901/2	\$5
6184	1	Flex. Washer 41x50x2	\$7
6197	2	Snap Ring E 25	\$2
6199	1	Snap Ring I 62	\$5
6209	1	Conical Tap 1/4" Gas	\$6
6214	1	Conical Tap 1/4" Gas	\$26
6218	1	Hex. Head Screw M6x12	\$2
6238	1	Screw T.E. M10x20 SX	\$7
6241	4	T.E. Screw M 10x30	\$2

Part Number	Qty	Description	List price
6243	4	T.E. Screw M 12x25	\$6
6316	1	Bearing 3305	\$182
6321	1	Bearing 6205-2RS	\$61
6326	1	Key B 6x6x25	\$6
6330	1	Key 6x6x15	\$5
6359	1	Counterface G 1002/4	\$61
6841	1	Rivet 6.5x20	\$4
8404	1	Mech. Seal 25-47-14	\$268
8921	1	Pump Body B4KQ-A/ST	\$2,300
8927	1	Valve B4KQ-A/ST	\$499
8933	1	Inspection Door	\$128
8939	1	Gasket Door B4KQ-A/ST	\$22
H914	1	Complete Wear Disc D.129.5 kit	\$164
8975	2	Complete Pin M10	\$54
9068	3	Screw T.S.E.I.M5x00	\$1
9468	2	Grub Screw M10x60	\$11
F476	1	Nut M12x1.75	\$14
F550	1	Shaft Stainless Steel AISI 316	\$595
F625	1	Impeller B4KQ-A/ST	\$734
H281	1	Hydraulic Motor	\$2,196
H284	1	Coupling Flange	\$293
H285	1	Support For Hydraulic	\$586
H294	1	Flexible Coupling	\$732
H310	1	Washer 63x80x0.5	\$6