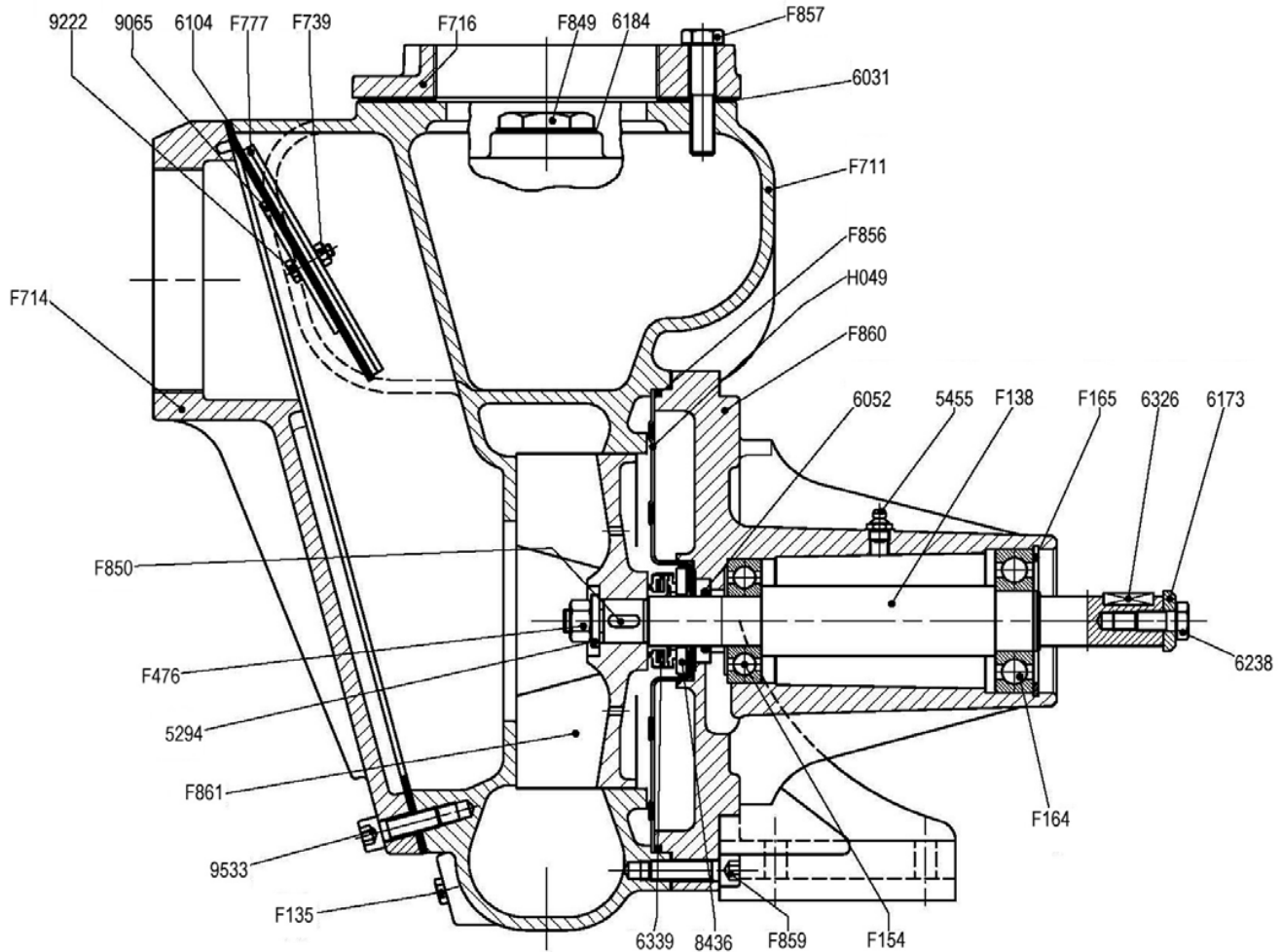




AUSSIE SPARES DIAGRAM & PARTS LIST

AUSSIE GMP PUMPS: B4XR-A/B "W" WITH OR WITHOUT PULLEY
CAT ASC5



| Part Number | Qty | Description | Retail price |
|-------------|-----|-----------------------------|--------------|
| 5294 | 2 | Washer 12x26x2 | \$4 |
| 5455 | 1 | Greaser G 1/8" | \$7 |
| 6031 | 1 | Flex. Gasket G 1089 | \$13 |
| 6035 | 2 | Flex. Gasket B 1056 | \$18 |
| 6052 | 1 | OR 133 (24.99x3.53) | \$13 |
| 6104 | 1 | Check Valve G 1085 | \$95 |
| 6173 | 1 | Washer 10x30x6 | \$7 |
| 6184 | 1 | Flex. Washer 41x50x2 | \$7 |
| 6238 | 1 | Screw T.E. M10x20 SX | \$7 |
| 6326 | 1 | Key B 6x6x25 | \$6 |
| 6339 | 1 | Mech. Seal 25-47-14 | \$43 |
| 8436 | 1 | Counterface 26-57-7 | \$127 |
| 9065 | 1 | Counterweight | \$47 |
| 9222 | 1 | Stainless Steel Screw M6x20 | \$1 |
| 9533 | 7 | Screw OEB M10x30 | \$10 |
| F135 | 1 | Conical Tap 1/4" Gas | \$22 |
| F138 | 1 | Stainless Steel Shaft | \$622 |

| Part Number | Qty | Description | Retail price |
|-------------|-----|-----------------------|--------------|
| F154 | 1 | Bearing 6305-2RS | \$80 |
| F164 | 1 | Bearing 6306-2RS | \$120 |
| F165 | 1 | Snap Ring I 72 | \$7 |
| F476 | 1 | Nut M12x1.75 | \$14 |
| F711 | 1 | Bronze Pump Casing | \$6,797 |
| F714 | 1 | Valve Body B4XR-A | \$1,655 |
| F716 | 1 | Bronze Flange B4XR-A | \$769 |
| F739 | 1 | Steel Nut M6x1 | \$7 |
| F777 | 2 | Washer D.130x3 AISI | \$47 |
| F849 | 1 | Tap 1 1/4" AISI 316 | \$19 |
| F850 | 1 | Key B 6x6x15 AISI 316 | \$7 |
| F856 | 1 | OR 4875 (221.84x3.53) | \$18 |
| F857 | 4 | Screw M12x55 AISI 316 | \$17 |
| F859 | 8 | Screw M10x40 AISI 316 | \$10 |
| F860 | 1 | Support | \$1,212 |
| F861 | 1 | Bronze Impeller | \$887 |
| H049 | 1 | Stainless Steel Disc | \$196 |