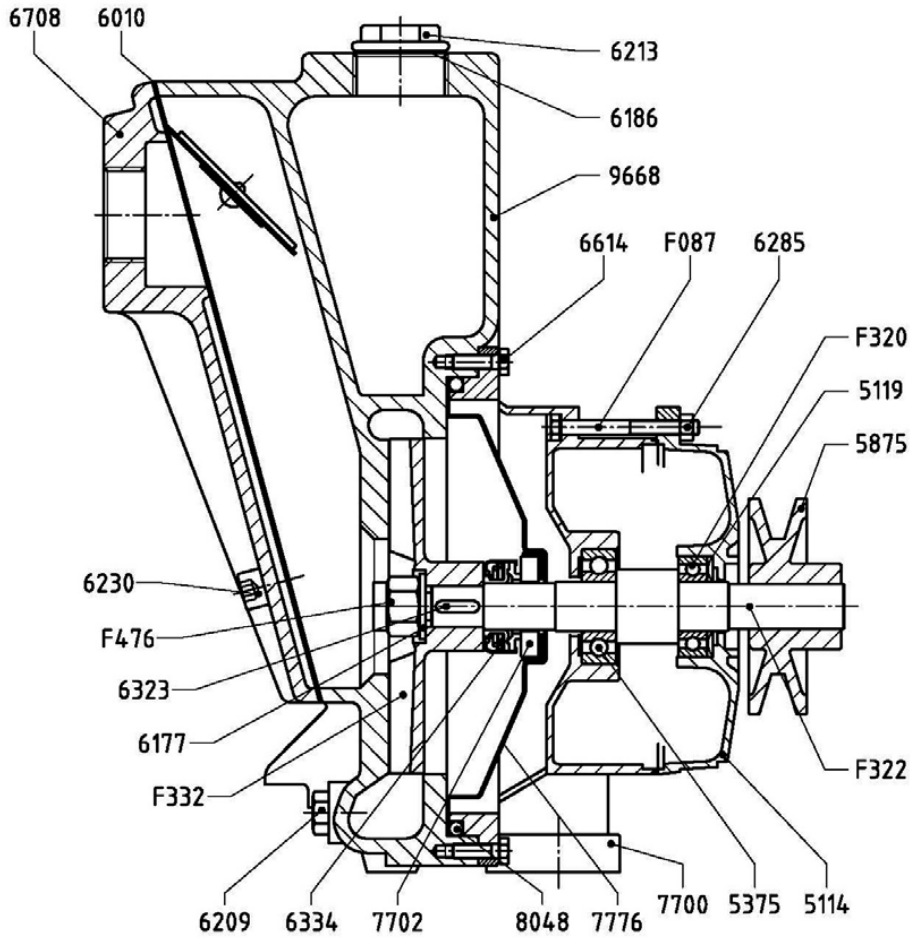




AUSSIE SPARES DIAGRAM & PARTS LIST

AUSSIE GMP PUMPS: B1KQ-A "W" WITH OR WITHOUT PULLEY
CAT AS97



Part Number	Qty	Description	Retail price
5114	1	Rear Mot. Cover MEC 71	\$70
5119	1	Elastic Washer D.35	\$2
5375	1	Bearing 6203-2RS	\$55
6100	1	Check Valve B 2672	\$24
6160	1	Washer B 2672/1	\$5
6168	1	Washer B 2621/2	\$7
6177	1	Washer 12x23x2	\$1
6209	1	Conical Tap 1/4" Gas	\$6
6213	1	Conical Tap 1" Gas	\$7
6230	6	Hex. Head Screw M8x20	\$5
6285	4	Nut M 5x0.8	\$2
6323	1	Key B 4x4x15	\$5
6334	1	Mech. Seal 16-32-13	\$31

Part Number	Qty	Description	Retail price
6614	8	Screw T.E. M 5x14	\$1
6708	1	Valve Body B1KQ-A	\$139
7700	1	Support G 1707	\$86
7702	1	Counterface 17.5-36-8	\$31
7776	1	Cover Disk dis. G 1708	\$31
7781	1	OR 221 (149.2x5.34)	\$7
9325	1	Rivet 6x12	\$2
9668	1	Pump Casing B1KQ-A	\$734
F087	4	Screw M5x45	\$2
F320	1	Bearing 6003-2RS	\$41
F322	1	Shaft Stainless Steel AISI 316	\$328
F332	1	Impeller	\$216
F476	1	Nut M12x1.75	\$14