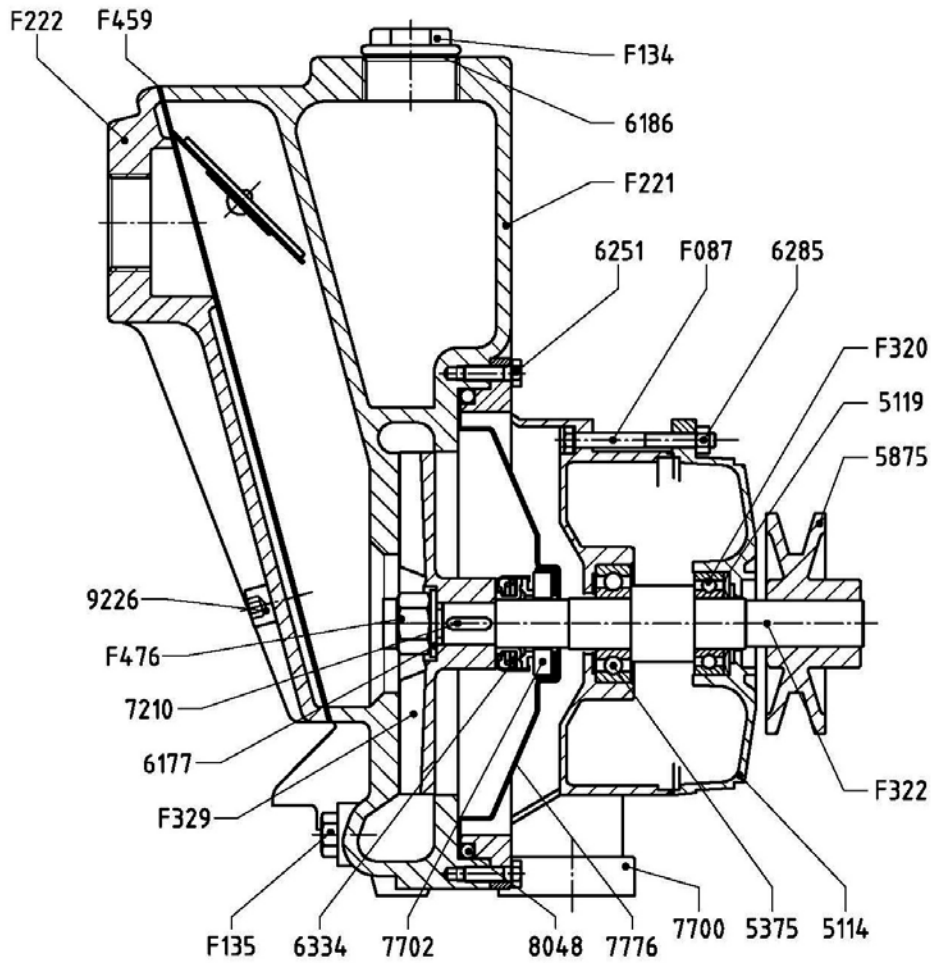




AUSSIE SPARES DIAGRAM & PARTS LIST

AUSSIE GMP PUMPS: B1KQ-A/B "W" WITH OR WITHOUT PULLEY
CAT AS96



Part Number	Qty	Description	Retail price
5114	1	Rear Mot. Cover MEC 71	\$70
5119	1	Elastic Washer D.35	\$2
5326	1	OR 121 (15.88x2.62)	\$2
5375	1	Bearing 6203-2RS	\$55
6100	1	Check Valve B 2672	\$24
6186	1	Flex. Washer 33x39x2	\$2
6285	4	Nut M 5x0.8	\$2
6334	1	Mech. Seal 16-32-13	\$31
6947	1	Stain. Steel Key 4x4x15 (TSM5)	\$6
7657	8	T.E. Bolt M 5x15	\$2
7700	1	Support G 1707	\$86
7702	1	Counterface 17.5-36-8	\$31
7781	1	OR 221 (149.2x5.34)	\$7
9064	1	Counterweight Washer	\$36

Part Number	Qty	Description	Retail price
9226	6	OEB M8x20 S/S Screw	\$10
9325	1	Rivet 6x12	\$2
F087	4	Screw M5x45	\$2
F135	1	Conical Tap 1/4" Gas	\$22
F221	1	Pump Casing	\$1,462
F222	1	Bronze Check Valve	\$294
F250	1	Stainless Steel Washer D.61	\$17
F320	1	Bearing 6003-2RS	\$41
F322	1	Shaft Stainless Steel AISI 316	\$328
F329	1	Impeller B1KQ-A/B	\$325
F476	1	Nut M12x1.75	\$14
F555	1	Tap AISI 316 1"G	\$116
H066	1	Washer D.13x24x2.5	\$5
H071	1	Cover AISI 316	\$66