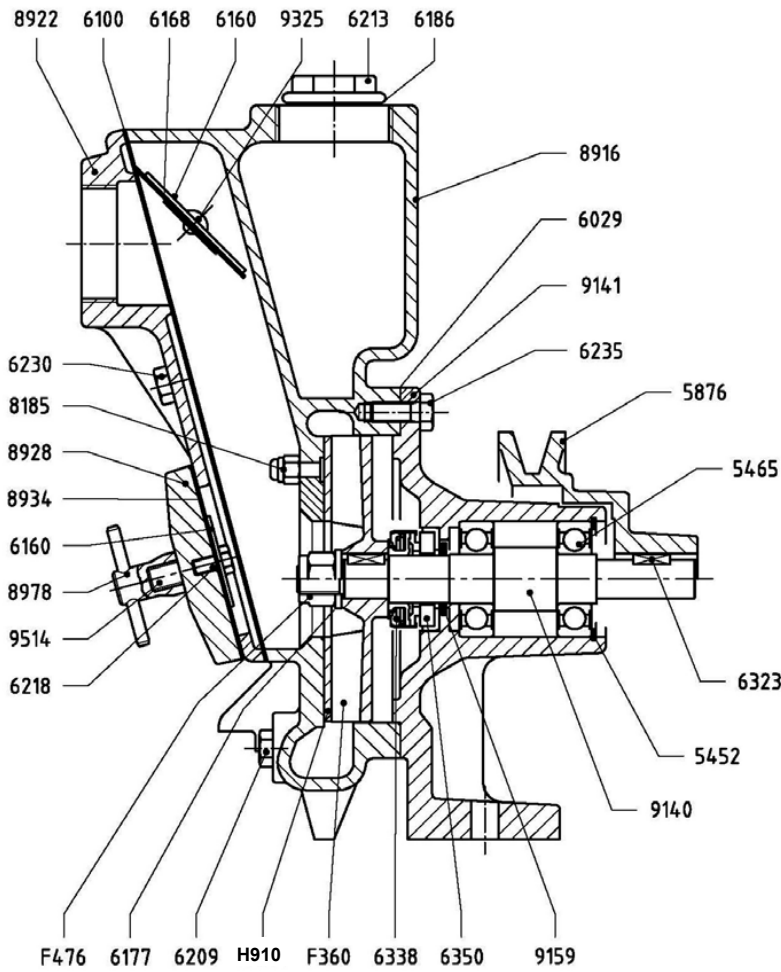




AUSSIE SPARES DIAGRAM & PARTS LIST

AUSSIE GMP PUMPS: B1½KQ-A/ST "W" WITH OR WITHOUT PULLEY
CAT AS78



Part Number	Qty	Description	List price
5452	1	Snap Ring I 47	\$7
5465	2	Bearing 6204 2RS	\$41
5480	2	Flex. Gasket B 2618	\$8
6029	1	Flex. Gasket B 2618	\$8
6100	1	Check Valve B 2672	\$24
6160	1	Washer B 2672/1	\$5
6168	1	Washer B 2621/2	\$7
6177	1	Washer 12x23x2	\$1
6186	1	Flex. Washer 33x39x2	\$2
6209	1	Conical Tap ¼" Gas	\$6
6213	1	Conical Tap 1" Gas	\$7
6218	1	Hex. Head Screw M6x12	\$2
6230	4	Hex. Head Screw M8x20	\$5
6235	4	T.E. Screw M 10x18	\$2
6323	2	Key B 4x4x15	\$5
6338	1	Mech. Seal 19-39-13	\$258

Part Number	Qty	Description	List price
6350	1	Counterface 21-42-8	\$239
8185	3	Torque Nut M5 A2	\$4
8916	1	Pump Body B1½KQA/ST	\$767
8922	1	Valve B1½KQ-A/ST	\$172
8928	1	Inspection Door	\$65
8934	2	Gasket Inspect. Door	\$12
H910	1	Complete Wear Disc kit	\$65
8978	2	Complete Pin M8	\$43
9140	1	Shaft B 2611/1	\$322
9141	1	Bracket B 2612	\$281
9159	1	Seal Ring 19x31x3	\$17
9325	1	Rivet 6x12	\$2
9514	2	Grub Screw M8x50	\$7
F159	3	Washer	\$6
F360	1	Impeller	\$259
F476	1	Nut M12x1.75	\$14