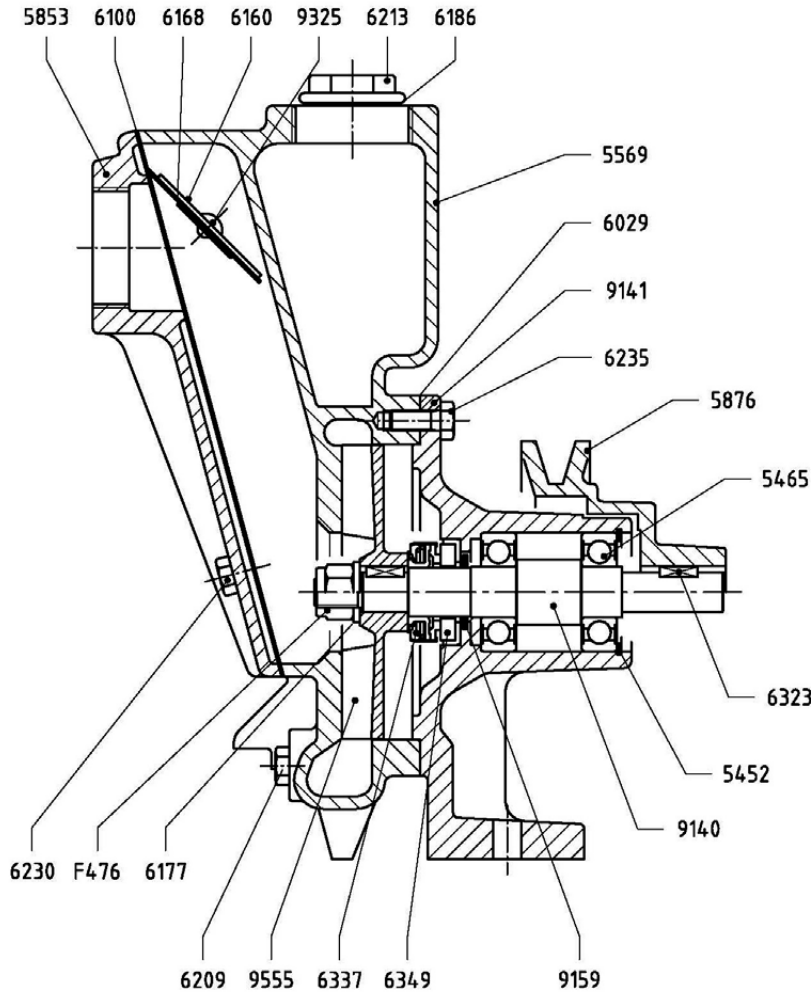




AUSSIE SPARES DIAGRAM & PARTS LIST

AUSSIE GMP PUMPS: B1½KQ-A "W" WITH OR WITHOUT PULLEY
CAT AS73



Part Number	Qty	Description	Retail price
5452	1	Snap Ring I 47	\$7
5465	2	Bearing 6204 2RS	\$41
5480	2	Flex. Gasket B 2618	\$8
5569	1	Pump Casing B1½KQ-A	\$734
5853	1	Valve Body B1½KQ-A	\$139
6029	1	Flex. Gasket B 2618	\$8
6100	1	Check Valve B 2672	\$24
6160	1	Washer B 2672/1	\$5
6168	1	Washer B 2621/2	\$7
6177	1	Washer 12x23x2	\$1
6186	1	Flex. Washer 33x39x2	\$2
6209	1	Conical Tap ¼" Gas	\$6

Part Number	Qty	Description	Retail price
6213	1	Conical Tap 1" Gas	\$7
6230	6	Hex. Head Screw M8x20	\$5
6235	4	T.E. Screw M 10x18	\$2
6323	2	Key B 4x4x15	\$5
6337	1	Mech. Seal 19-39-13	\$40
6349	1	Counterface 21-42-8	\$20
9140	1	Shaft B 2611/1	\$322
9141	1	Bracket B 2612	\$281
9159	1	Seal Ring 19x31x3	\$17
9325	1	Rivet 6x12	\$2
9555	1	Impeller B-2623/1E	\$216
F476	1	Nut M12x1.75	\$14