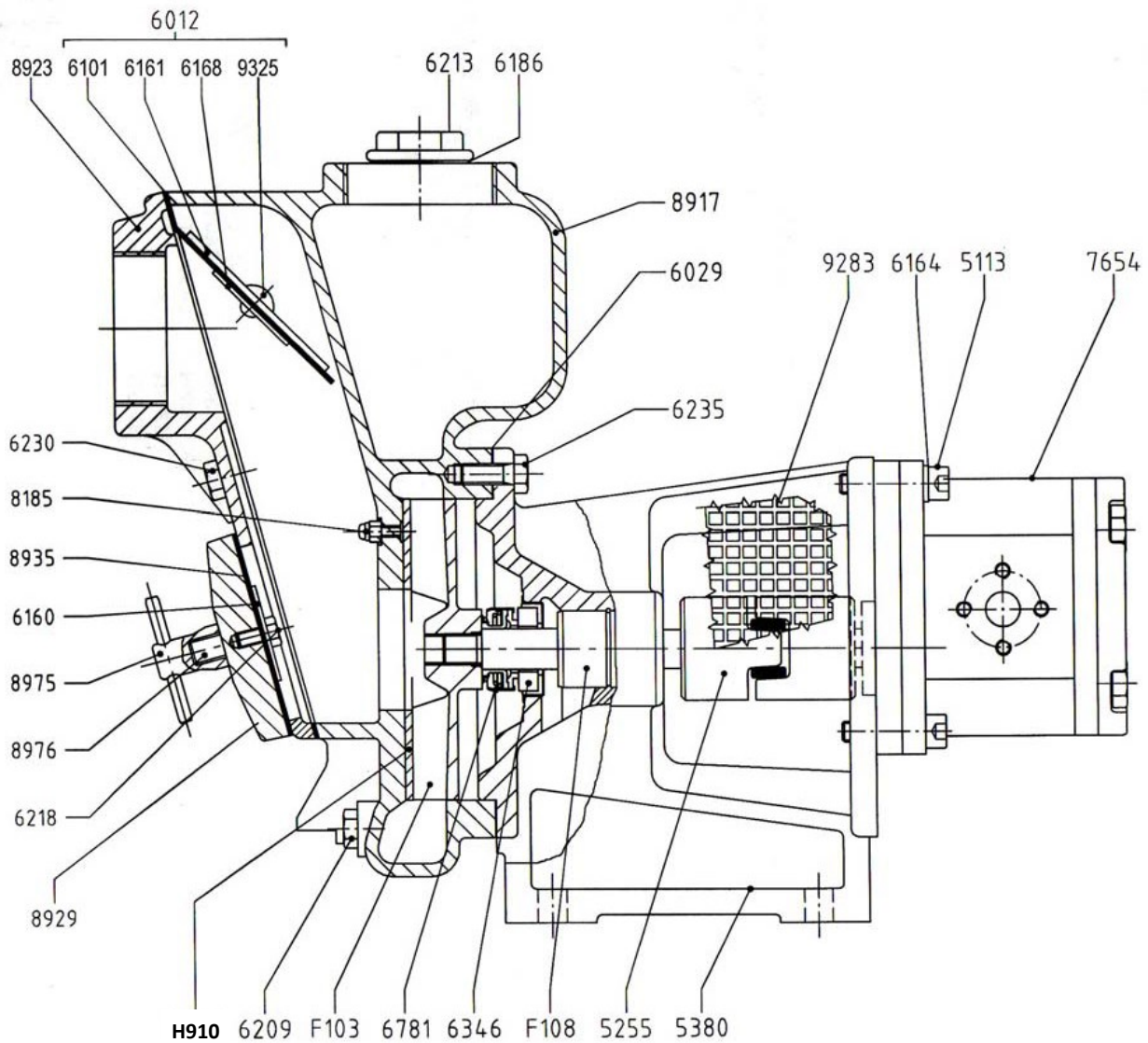




# AUSSIE SPARES DIAGRAM & PARTS LIST

AUSSIE GMP PUMPS: B2KQ-A/ST HYDRAULIC MOTOR  
CAT AA9A



Part Number	Qty	Description	List price
5113	4	OEB Screw M 8x30	\$2
5188	1	Grub Screw	\$2
5255	1	Flex. Coupling D.40	\$286
5380	1	Support dis. B 2679/1	\$558
5480	2	Flex. Gasket B 2618	\$8
6029	1	Flex. Gasket B 2618	\$8
6049	1	OR 118 (13.95x2.62)	\$1
6101	1	Check Valve 2616/2	\$26
6160	1	Washer B 2672/1	\$5
6161	1	Washer D.7x75x2.5	\$11
6164	4	Washer D.8x14x2	\$1
6168	1	Washer B 2621/2	\$7
6169	2	Copper Washer	\$4
6186	1	Flex. Washer 33x39x2	\$2
6209	1	Conical Tap 1/4" Gas	\$6
6213	1	Conical Tap 1" Gas	\$7
6218	1	Hex. Head Screw M6x12	\$2
6230	1	Hex. Head Screw M8x20	\$5
6235	1	T.E. Screw M 10x18	\$2

Part Number	Qty	Description	List price
6346	1	Counterface S 5645	\$31
6781	1	Mech. Seal 16-32-13	\$196
7654	1	Hydraulic Motor	\$1,726
8185	3	Torque Nut M5 A2	\$4
8917	1	Pump Body B2KQ-A/ST	\$869
8923	1	Valve B2KQ-A/ST	\$200
8929	1	Inspection Door	\$79
8935	1	Gasket Inspect. Door	\$22
H910	1	Complete Wear Disc kit	\$65
8975	2	Complete Pin M10	\$54
8976	2	Grub Screw M10x50	\$11
9283	2	Protecting Network	\$11
9325	1	Rivet 6x12	\$2
F103	1	Impeller B2KQA/ST 2HP	\$302
F108	1	Shaft with Bearing	\$199
F159	4	Washer	\$6
GR216	1	Rubber fingers for flexible coupling	\$25