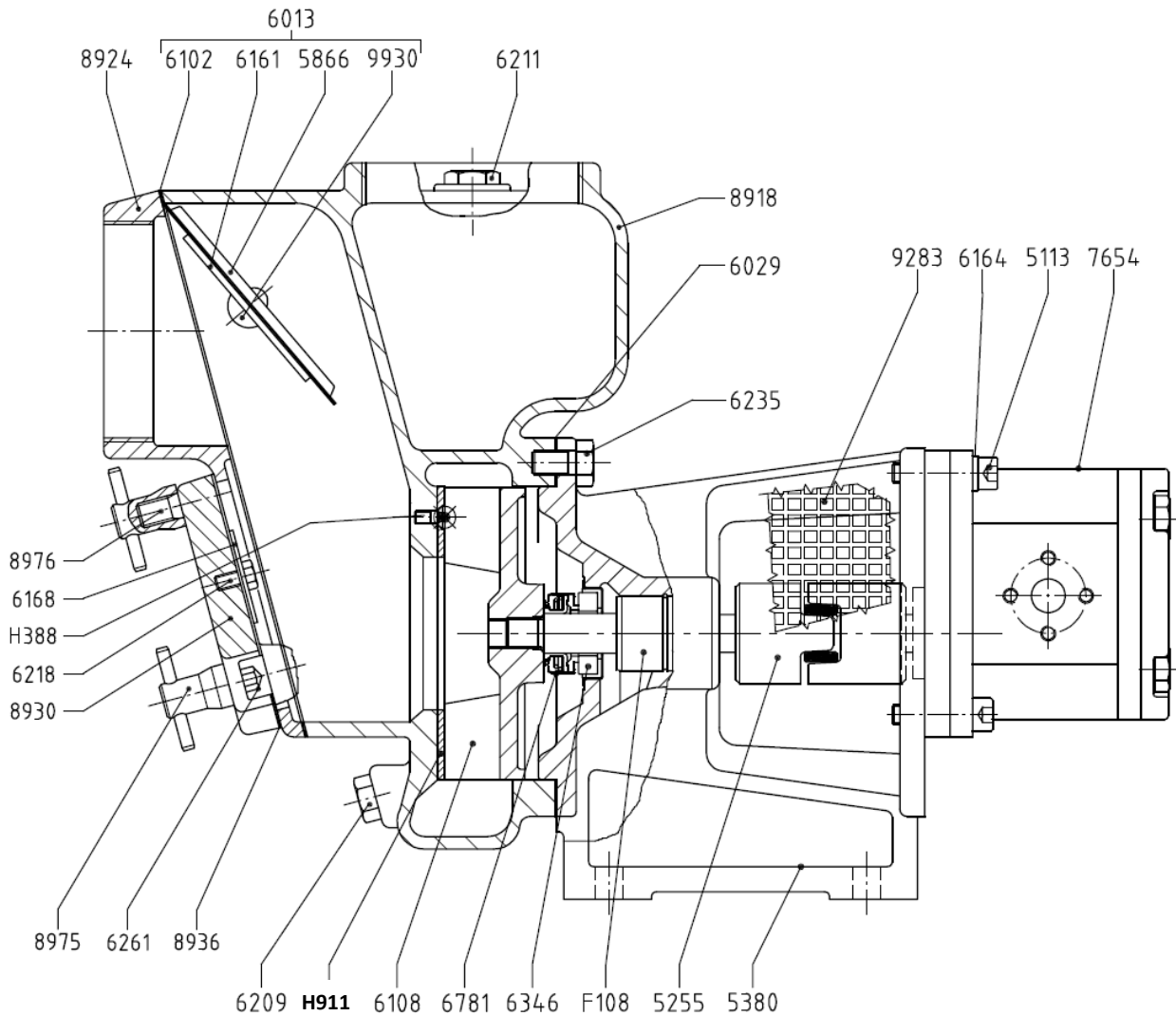




AUSSIE SPARES DIAGRAM & PARTS LIST

AUSSIE GMP PUMPS: B3KQ-A/ST WITH HYDRAULIC MOTOR
CAT AA5B



Part Number	Qty	Description	List price
5113	4	OEB Screw M 8x30	\$2
5255	1	Flex. Coupling D.40	\$286
5380	1	Support dis. B 2679/1	\$558
5480	2	Flex. Gasket B 2618	\$8
5866	1	Counterweight B3KQ-A	\$20
6029	1	Flex. Gasket B 2618	\$8
6102	1	Check Valve B3KQ-A	\$34
6108	1	Impeller B3KA-Q/ST	\$389
6161	1	Washer D.7x75x2.5	\$11
6164	4	Washer D.8x14x2	\$1
6209	1	Conical Tap 1/4" Gas	\$6
6211	1	Conical Tap 1/2" Gas	\$6
6235	4	T.E. Screw M 10x18	\$2
6261	6	OEB Screw M 10x20	\$2

Part Number	Qty	Description	List price
6346	1	Counterface S 5645	\$31
6781	1	Mech. Seal 16-32-13	\$196
6841	1	Rivet 6.5x20	\$4
7654	1	Hydraulic Motor	\$1,726
GR216	1	Rubber fingers for flexible	\$25
8918	1	Pump Body B3KQ-A/ST	\$1,009
8924	1	Valve B3KQ-A/ST	\$217
8930	1	Inspection Door	\$143
8936	1	Gasket Inspect. Door	\$18
8975	2	Complete Pin M10	\$54
9283	2	Protecting Network	\$11
F108	1	Shaft with Bearing	\$199
H911	1	Complete wear disc kit	\$155
H388	4	Screw M5x12	\$1

