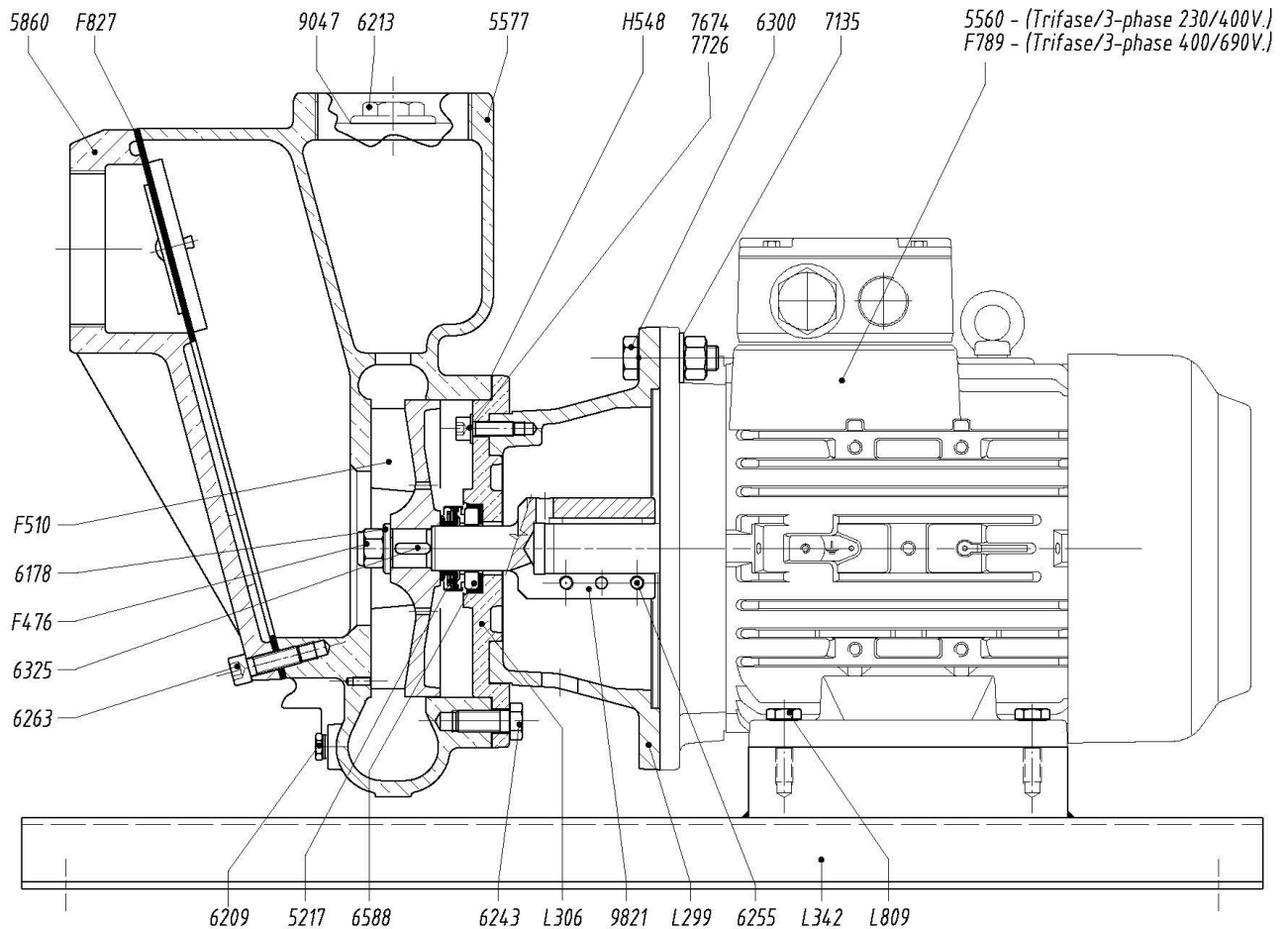




AUSSIE SPARES DIAGRAM & PARTS LIST

AUSSIE GMP PUMPS: B3XR-A/ST WITH 4KW ATEX ELECTRIC MOTOR
CAT 2139



Part Number	Qty	Description	List price
5217	1	Mech. Seal 25-47-14 (carbon/viton)	\$145
5560	1	4KW ATEX Electric motor	poa
5577	1	Pump casing B3XRA	\$2,482
5860	1	Valve B3XR-A/ST	\$415
6172	7	Zinc washer 10x21x2	\$1
6178	1	Washer B 2901/2	\$6
6209	1	Conical Tap 1/4" Gas	\$7
6213	1	Conical Tap 1" Gas	\$8
6255	2	TCEI screw M 8x25	\$2
6263	5	OEB Screw M 10x30	\$2
6300	4	Hex. Head Bolt M12x40	\$6
6325	1	Key B 6x6x20	\$6
6588	1	Counterface 27-50-10	\$114
7135	4	Washer 10x18x2	\$5
7674	6	Stainless steel OEB screw M 8 x 25	\$8
7942	1	Zinc nut M 10x1.5	\$1
9074	1	Flex washer 33x39x2	\$7
9821	1	Shaft extension MEC 112	\$477

Part Number	Qty	Description	List price
F086	4	Zinc nut M 14	
F476	1	Nut M12x1.75	\$7
F510	1	Impeller 3 blades	\$605
F827	1	Complete check valve (Viton)	\$453
H548	1	Flex. Gasket Viton	
H796	3	Screw M5x10	\$5
L299	1	Motor support MEC112	\$679
L306	1	Flange seal holder	\$450
L342	1	Base for motor	\$133
L809	4	Screw T.E M10x25	\$5
P072	4	Screw	
P587	4	Screw T.E M12x25	\$5

