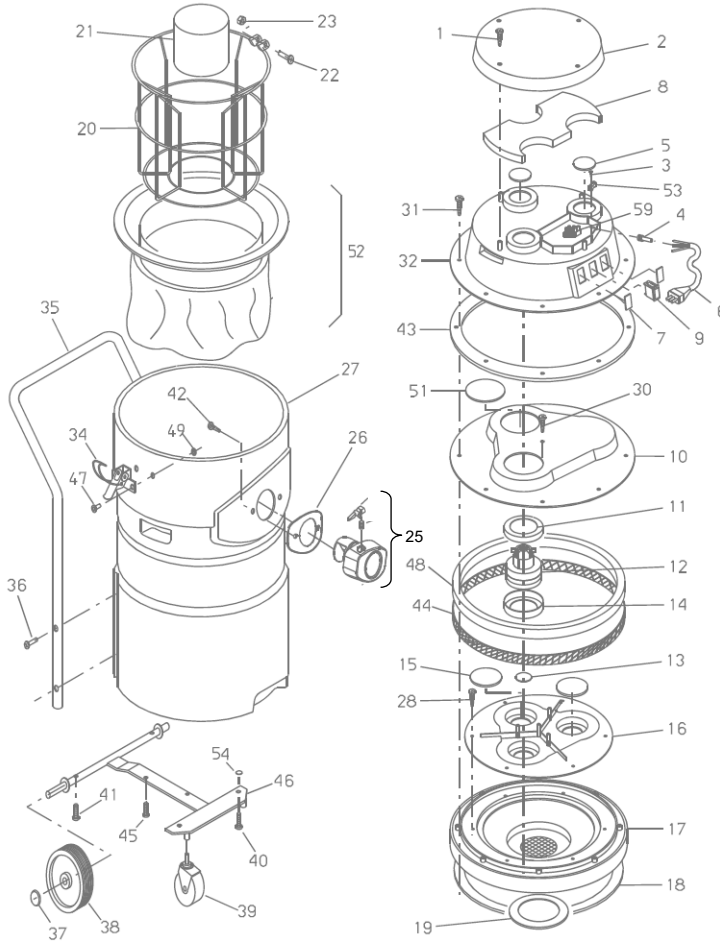


AUSSIE CLEAN AIR VC61



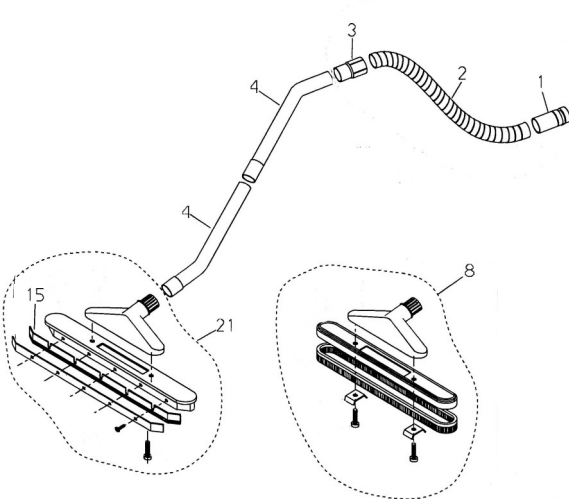
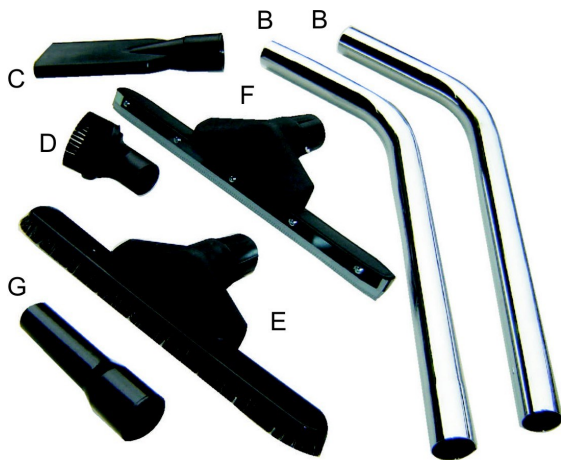
Position	Part number	Qty Rqd	Description	List Price each
1	VVA323	4	SCREW	\$2
2	VCZ004	1	COVER (BLUE)	\$32
3	VVA261	2	SCREW	\$2
4	VPY309	1	BLACK RUBBER FAIRLEAD	\$9
5	VTO002	2	DOME PLUG	\$5
6	VPY358	1	ELECTRIC CABLE	\$91
7	VTO001	2	SWITCH PLUG	
8	VFO006	1	POLIESTIC MAT	\$34
9	VIN010	1	ON/OFF SWITCH	\$14
10	VDF004	1	DISC	\$54
11	VGR072	1	GASKET (interchanges with VGR005)	\$7
12	VMO152	1	SUCTION MOTOR	\$189
13	VTO004	1	MOTOR VALVE	\$3
14	VGR072	1	GASKET (interchanges with VGR005)	\$7
15	VTO003	2	BRIDLE PLUG	\$5
16	VDF005	1	ADAPTOR LOWER	\$43
17	VCB004	1	CAP BASE D.420 (BLUE)	\$55
18	VGO010	1	DOME GASKET	\$33
19	VGO009	1	GASKET-SHUT OFF CAM	\$7
20	VCLO05	1	CAGE-SHUT OFF H=345	\$111
21	VEG003	1	CAN-SHUT OFF	\$29
22	VVC218	1	SCREW M5X45	\$2
23	VDD203	1	NUT	\$2
25	VKB506	1	ADAPTOR TANK INTAKE D.40, ASSEMBLY	\$42
26	VGO044	1	GASKET-TANK INTAKE	\$6
27	VCN101G	1	TANK (GREY) 50L	\$415
28	VVA322	6	SCREW	\$2
30	VVA326	4	SCREW	\$2
31	VVA326	8	SCREW	\$2
32	VCU003D	1	NEW SHAPE DOME (BLUE)	\$69
34	VCC004	2	GALVANISED HOOK	\$22
35	VMR007	1	BLACK HANDLE FOR CLEANER	\$124
36	VVC227	4	SCREW	\$2
37	VCF009	2	WHEEL PROTECTIVE CASING	\$6
38	VRT022	2	WHEEL	\$41
39	VRT023	2	CASTER WHEEL	\$25
40	VVE280	2	SCREW	\$2
41	VVC227	2	SCREW	\$2
42	VVA425	2	SCREW	\$2
43	VFO001	1	POLIESTIC MAT	\$31
44	VFO002	1	ALUMINIUM NET	\$21
45	VVC221	2	SCREW	\$2
46	VBR026	1	TRUCK BASE	\$154
47	VRV031	4	RIVET 4.8X14	\$2
48	VFO003	1	POLIESTIC MAT	\$21
49	VRO202	4	WASHER	\$2
51	VTO006	1	PLUG	
52	VKF056	1	MICROWEB FILTER	\$232
53	VPY252	1	U BOLT	\$2
54	VRO205	2	WASHER	\$2
55	VPY505	1	ANTI NOISE CAPACITOR	\$48
56	VCZ034	1	COVER	\$57
59	VPY182	1	TERMINAL BOARD	\$7

Complete Head

VKE013	Suits VC61 (BLUE)	\$736
--------	-------------------	-------



AUSSIE CLEAN AIR VC61



40mm Standard Accessories

		List Price
VAK40MM	Complete kit	\$452
2	VHOSE38MMX3 3 metre flexible crush proof hose	\$115
B 4	VHH012M 2 piece chrome wand assembly including handle (male or female)	\$48 each
4	VHH012F	
C	VLL002N Crevice tool	\$21
D	VZZ061 Round brush	\$32
E 8	VKS011 Hard floor brush with swivel (length 420mm)	\$111
F 21	VKS013 Squeegee with swivel (length 420mm)	\$124
G	VAD001 Accessory adaptor to suit round brush	\$21

Optional 40mm Accessories

VKS012	Aluminium carpet brush with swivel	\$97
H	VKA011 Outrigger (650mm) with mounting bracket	\$994
VKR001	Hard floor brushes to suit outrigger (two needed for each outrigger) (set of two)	\$92
VHOSE	Extension hose (per metre)	\$41
3	VEE005N 38mm hose cuff (hose to wand fitting)	\$28
1	VEE004N 38mm hose tail (hose to tank fitting)	\$26
V69052	38mm hose jointer	\$34
15	VLA013 Rubber squeegee to suit VKS013 (2 required)	\$37

Paper Bags

V44715	Suits VC44, VC61, VC62, VC73, VC83 (1 only -22 litre capacity)	\$28
VSF802	Suits VC44, VC61, VC72, VC73, VC83 (1 only -40 litre capacity)	\$41

Filter Protectors

VSF065	Nylon filter protector, prevents filter clogging from fine dust, suits VC61/62, VC72/73/83, Drum vac	\$82
--------	------------------------------------------------------------------------------------------------------	------