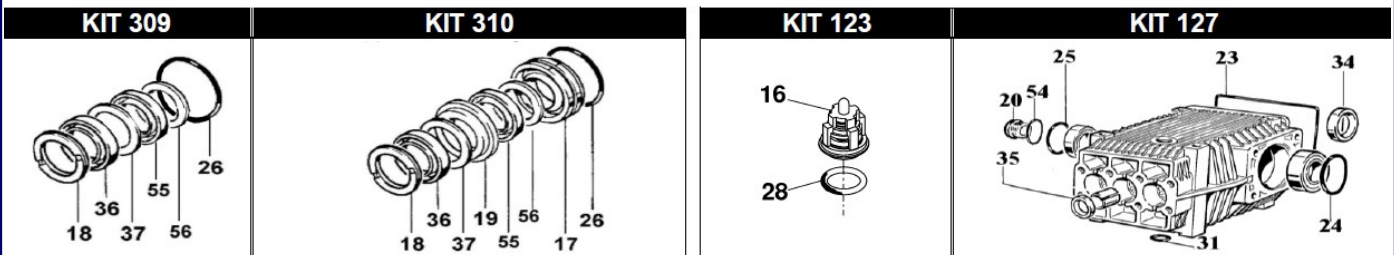
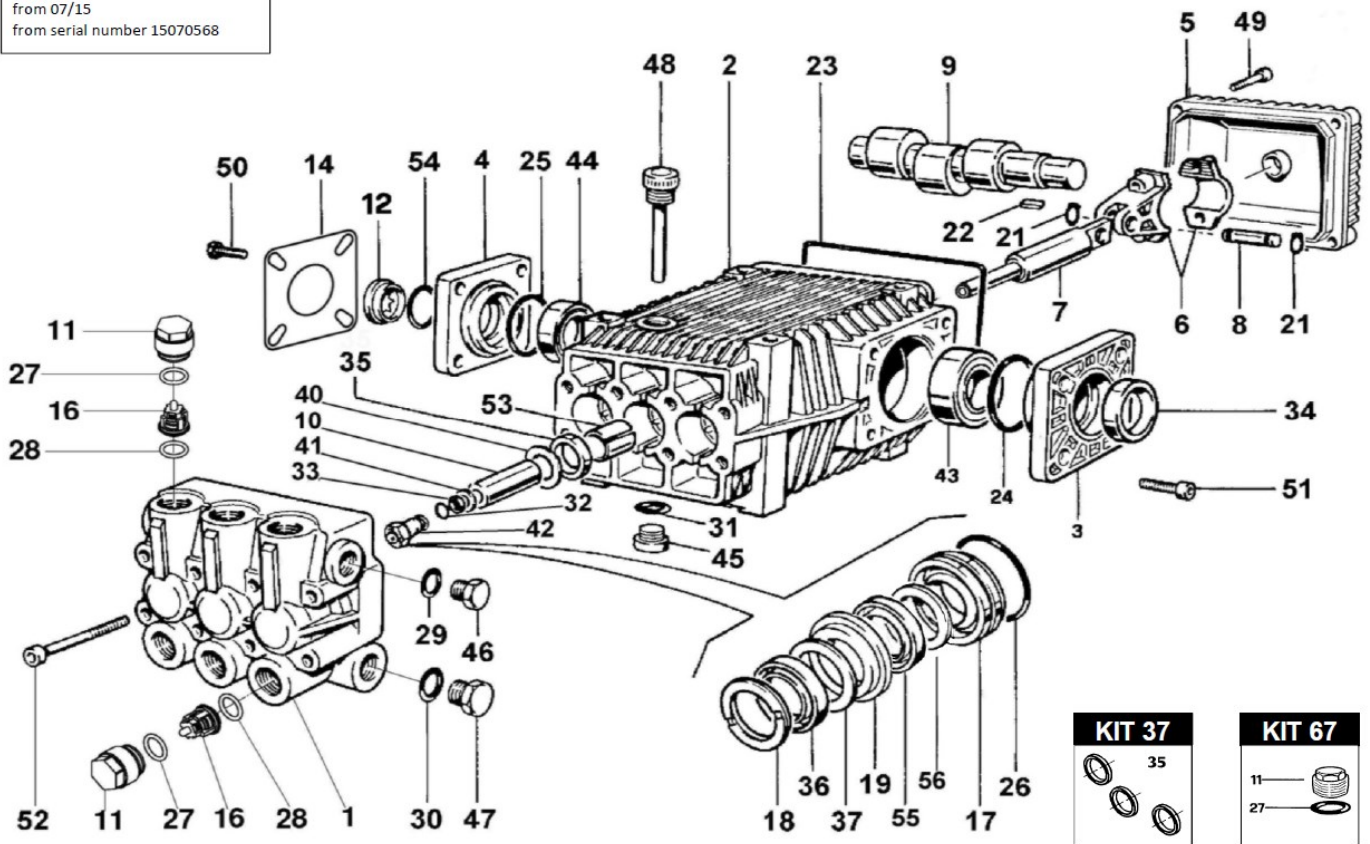
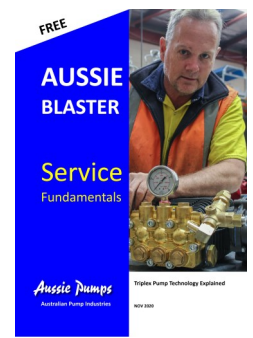


from 07/15  
from serial number 15070568



### Bertolini Kits ... Rejuvenate your pump & SAVE, SAVE, SAVE

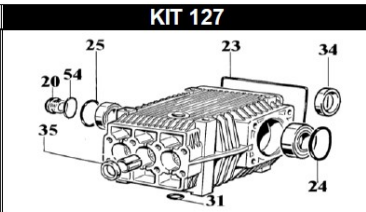
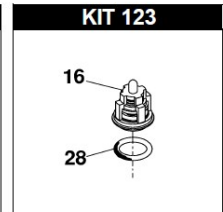
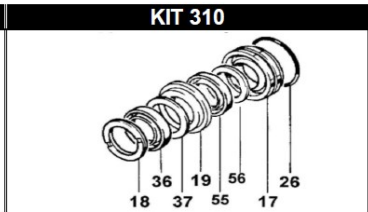
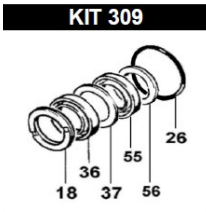
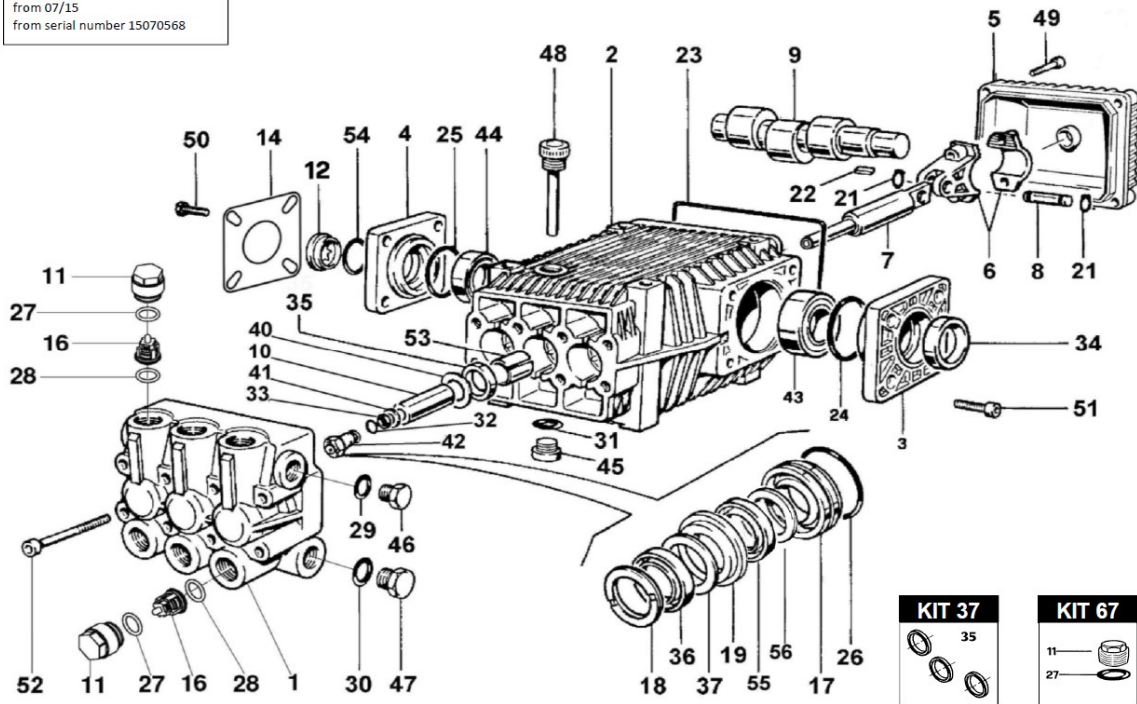
Kit No.	Description	List Price
BKIT127	Full Oil seal & Sight Glass kit (10 pieces)	\$154
BKIT123	Valve Kit (12 pieces)	\$156
BKIT309	Seal Kit Minor (18 pieces)	\$267
BKIT310	Seal Kit Major (24 pieces)	\$528
BKIT37	Oil Seal Kit (3 pieces)	\$65
BKIT67	Valve cap kit (12 pieces)	\$173
ATESTSET	Aussie pressure test set includes gauge and fitting for testing pump output pressure and Bertolini Pump Selection Guide	\$125



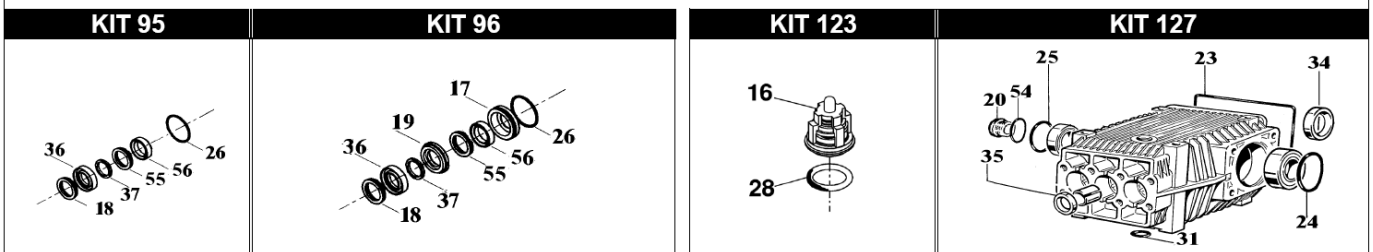
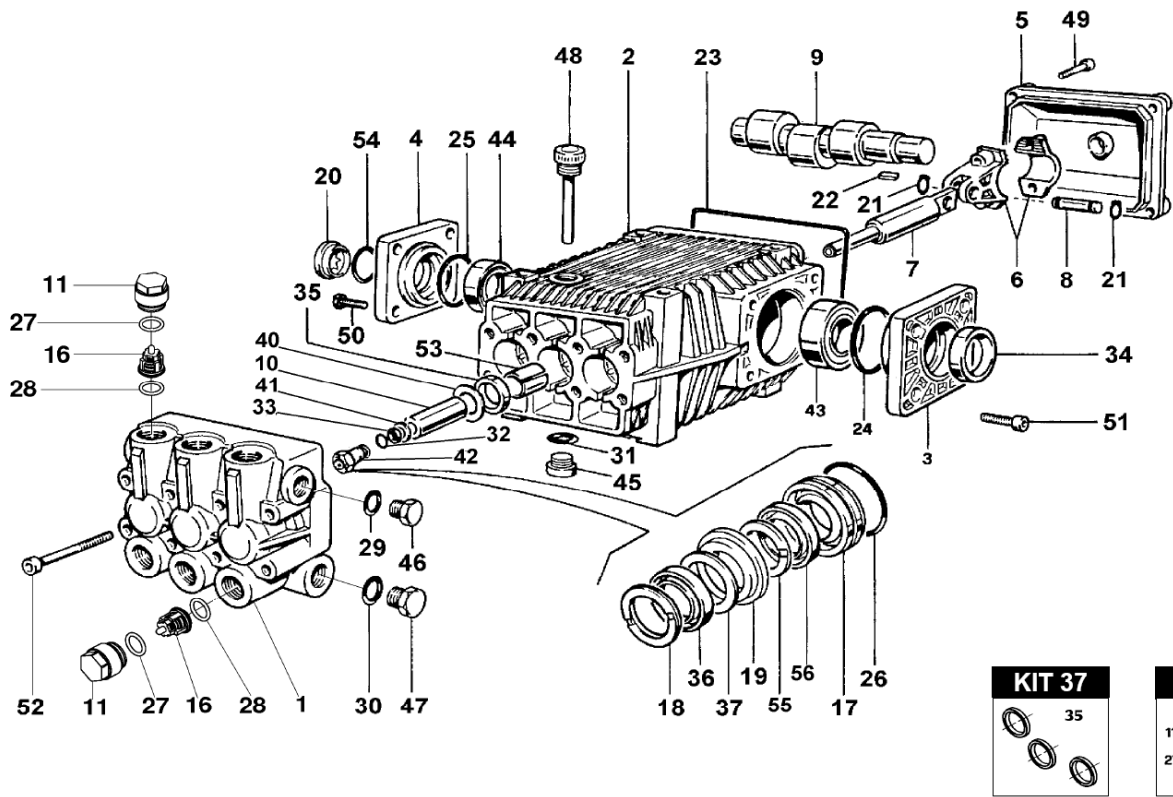
Click image or check online for troubleshooting guide & Aussie Blaster Service Fundamentals



from 07/15  
from serial number 15070568

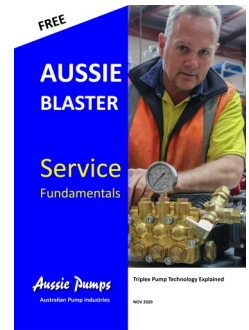


Position	Part Number	Description	Qty	List Price	Position	Part Number	Description	Qty	List Price
1	B060158282	PUMP HEAD	1	\$1,697	30	B824180002	GASKET DIA.27X36X1	1	\$5
2	B060001092	PUMPS CRANKCASE	1	\$480	31-kit 127	B803204802	O-RING DIA.2,62X23,81	1	-
3	B060016092	BEARING COVER DIA.72	1	\$49	32	B803055002	O-RING DIA.1,78X10,82	3	\$5
4	B060017092	BEARING COVER DIA.80 MM	1	\$55	33	B803912002	ANTI-EXTRUSION RING	3	\$9
5	B060003092	CRANKCASE COVER	1	\$90	34 - kit 127	B802143002	OIL SEAL	3	-
6	B069800972	CONNECTING ROD	3	\$92	35-kit 37 - 127	B802090002	OIL SEAL DIA.17	3	-
6	B862796002	CONNECTING ROD BOLT	6	\$93	36-kit 309-310	B802061602	SUPER "U" PACKING DIA.18X28	3	-
7	B060065512	PLUNGER ROD	3	\$154	37-kit 309-310	B060085322	ANTIEXTRUSION RING	3	-
8	B060007492	PISTON PIN DIA.15 MM	3	\$17	40	B843826002	WASHER DIA.11X38X0,5	3	\$4
9-1	B060162262	CRANKSHAFT TTL1330	1	\$687	41	B843655002	WASHER	3	\$5
9-2	B060163262	CRANKSHAFT TTL 1530	1	\$687	42	B060073512	PISTON BOLT	3	\$9
9-3	B060164262	CRANKSHAFT TTL 1730	1	\$687	43	B812848002	ROLLER BEARING DIA.35X72X17	1	\$169
9-4	B060165262	CRANKSHAFT KTV 2030	1	\$687	44	B812870002	ROLLER BEARING DIA.35X80X21	1	\$217
10	B060055182	CERAMIC PISTON DIA.18 MM	3	\$212	45	B852687002	CAP G 3/4	1	\$33
11-kit 67	B070040532	VALVE CAP	6	-	46	B852579002	PLUG G 3/4 "	1	\$9
12 kit 127	B060019322	OIL SIGHT GLASS	1	-	47	B852693002	PLUG G.3/4 "	1	\$25
14	B060123612	SHEET FOR OIL SIGHT LOCKING	1	\$16	48	B060020322	OIL FILLER PLUG WITH DIP STICK	1	\$19
16-kit 123	B069846973	CHECK VALVES	6	-	49	B862108002	BOLT	4	\$5
17-kit 310	B060216532	BACK GLAND DIA.18 MM	3	-	50	B863265002	BOLT	4	\$5
18-kit 309-310	B802061502	THRUST RING DIA.18	3	-	51	B862562002	BOLT	4	\$5
19-kit 310	B060215532	FRONT GLAND	3	-	52	B862945002	BOLT	8	\$6
21	B801099002	CIRCLIP DIA.15	6	\$4	53	B804300002	SELF-LUBRIFICATING BUSHING	3	\$28
22	B806534002	TAB 8X7X35	1	\$7	54-kit 127	B803265002	OIL SEAL DIA 3,53X46,01	1	-
23-kit 127	B803210902	O-RING DIA.2,62X152	1	-	55-kit 309-310	B802300102	"U" PACKING DIA. 18x26	3	-
24-kit 127	B803210552	O-RING DIA.2,62X67,95	1	-	56-kit 309-310	B802300202	SCRAPER RING DIA.18	3	-
25-kit 127	B803210642	O-RING DIA.2,62X75,87	1	-		B069883973	KIT 199 PACKING FOR HOT WATER	21	\$1,022
26-kit 309-310	B803080202	O-RING DIA.1,78X37,82	3	-		B069956973	KIT 249 HW VALVE KIT	18	\$217
27-kit 67	B803182802	O-RING DIA.2,62X17,13	6	-					
28-kit 123	B803182802	O-RING DIA.2,62X17,13	6	-					
29	B824109002	COPPER GASKET DIA.17X22X1	1	\$5					



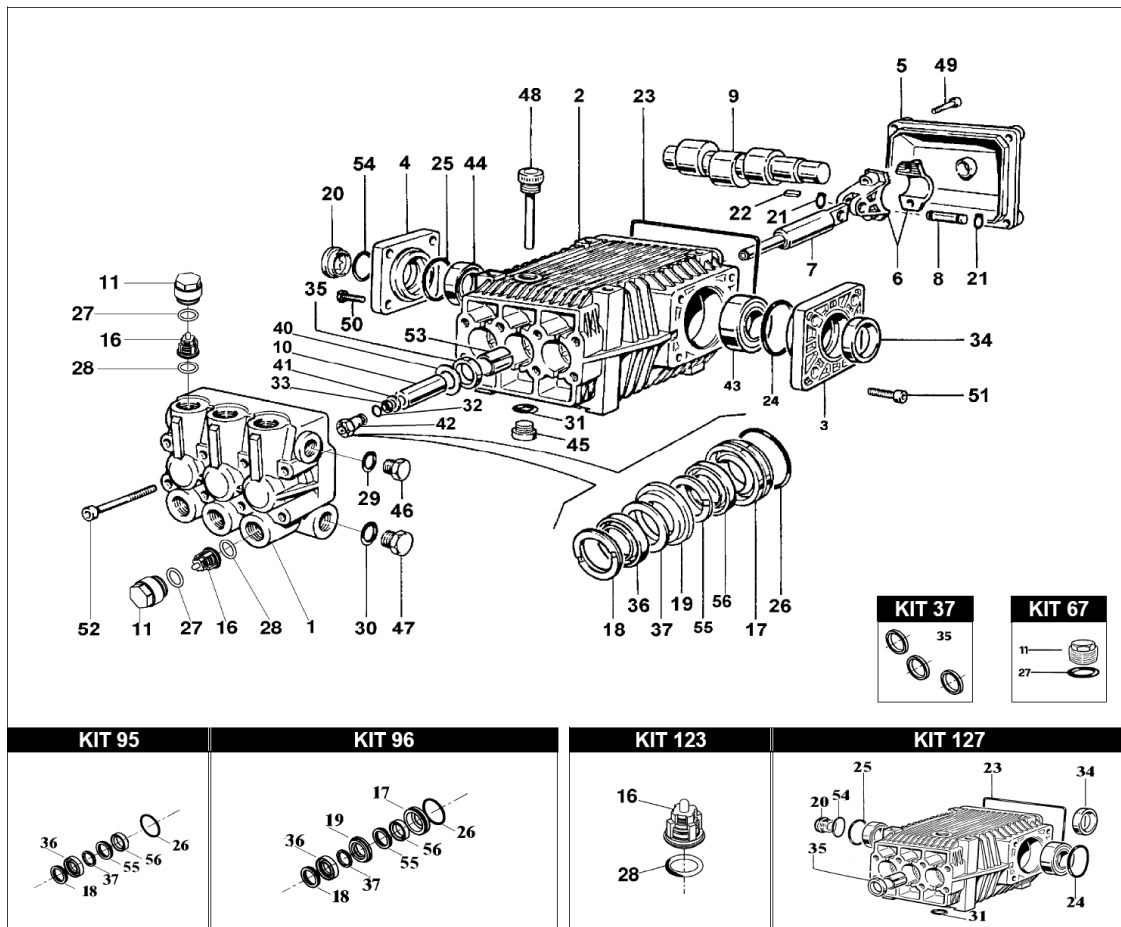
### Bertolini Kits ... Rejuvenate your pump & SAVE, SAVE, SAVE

Kit No.	Description	List Price
BKIT127	Full Oil seal & Sight Glass kit (10 pieces)	\$154
BKIT123	Valve Kit (12 pieces)	\$156
BKIT95	Seal Kit Minor (18 pieces)	\$267
BKIT96	Seal Kit Major (24 pieces)	\$528
BKIT37	Oil Seal Kit (3 pieces)	\$65
BKIT67	Valve cap kit (12 pieces)	\$173
AATESTSET	Aussie pressure test set includes gauge and fitting for testing pump output pressure and Bertolini Pump Selection Guide	\$125



Click image or check online for troubleshooting guide & Aussie Blaster Service Fundamentals





Position	Part Number	Description	Qty	List Price
1	B060158282	PUMP HEAD	1	\$1,697
2	B060001092	PUMPS CRANKCASE	1	\$480
3	B060016092	BEARING COVER DIA.72	1	\$49
4	B060017092	BEARING COVER DIA.80 MM	1	\$55
5	B060003092	CRANKCASE COVER	1	\$90
6	B069800972	CONNECTING ROD	3	\$92
6	B862796002	CONNECTING ROD BOLT	6	\$93
7	B060065512	PLUNGER ROD	3	\$154
8	B060007492	PISTON PIN DIA.15 MM	3	\$17
9-1	B060162262	CRANKSHAFT TTL1330	1	\$687
9-2	B060163262	CRANKSHAFT TTL 1530	1	\$687
9-3	B060164262	CRANKSHAFT TTL 1730	1	\$687
9-4	B060165262	CRANKSHAFT KTV 2030	1	\$687
10	B060055182	CERAMIC PISTON DIA.18 MM	3	\$212
11-kit 67	B070040532	VALVE CAP	6	-
16-kit 123	B069846973	VALVES ASSEMBLY	6	-
17-kit 96	B060064532	BACK GLAND DIA.20 MM	3	\$16
18-kit 95 - 96	B802061502	THRUST RING DIA.20	3	-
19-kit 96	B060063532	FRONT GLAND	3	-
20-kit 127	B060059322	OIL SIGHT GLASS	1	\$41
21	B801099002	CIRCLIP DIA.15	6	-
22	B806534002	TAB 8X7X35	1	\$7
23-kit 127	B803210902	O-RING DIA.2,62X152	1	\$9
24-kit 127	B803210552	O-RING DIA.2,62X67,95	1	-
25-kit 127	B803210642	O-RING DIA.2,62X75,87	1	-
26-kit 95-96	B803080102	O-RING DIA.1,78X34,65	3	-
27-kit 67	B803182802	O-RING DIA.2,62X17,13	6	-
28-kit 123	B803182802	O-RING DIA.2,62X17,13	6	-
29	B824109002	COPPER GASKET DIA.17X22X1	1	-
30	B824180002	GASKET DIA.27X36X1	1	\$5
31-kit 127	B803204802	O-RING DIA.2,62X23,81	1	\$5

Position	Part Number	Description	Qty	List Price
32	B803055002	O-RING DIA.1,78X10,82	3	-
33	B803912002	ANTI-EXTRUSION RING	3	\$5
34 - kit 127	B802143002	OIL SEAL	3	-
35-kit 37 - 127	B802090002	OIL SEAL DIA.17	3	-
36-kit 95-96	B802061602	SUPER U" PACKING DIA.18X28 "	3	-
37-kit 95-96	B060085322	ANTIEXTRUSION RING	3	-
40	B843826002	WASHER DIA.11X38X0,5	3	\$4
41	B843655002	WASHER	3	\$5
42	B060073512	PISTON BOLT	3	\$9
43	B812848002	ROLLER BEARING DIA.35X72X17	1	\$169
44	B812870002	ROLLER BEARING DIA.35X80X21	1	\$217
45	B852687002	CAP G 3/4	1	\$33
46	B852579002	PLUG G 3/4 "	1	\$9
47	B852693002	PLUG G.3/4 "	1	\$25
48	B060020322	OIL FILLER PLUG WITH DIP STICK	1	\$19
49	B862108002	BOLT	4	\$5
50	B863265002	BOLT	4	\$5
51	B862562002	BOLT	4	\$5
52	B862945002	BOLT	8	\$6
53	B804300002	SELF-LUBRICATING BUSHING	3	\$28
54-kit 127	B803265002	OIL SEAL DIA 3,53X46,01	1	-
55-kit 95-96	B050019322	THRUST RING DIA.18X28	3	-
56-kit 95-96	B802061002	V" PACKING DIA.18X28 "	3	-
	B069883973	KIT 199 PACKING FOR HOT WATER	21	\$1,071
	B069956973	KIT 249 HW VALVE KIT	18	\$217