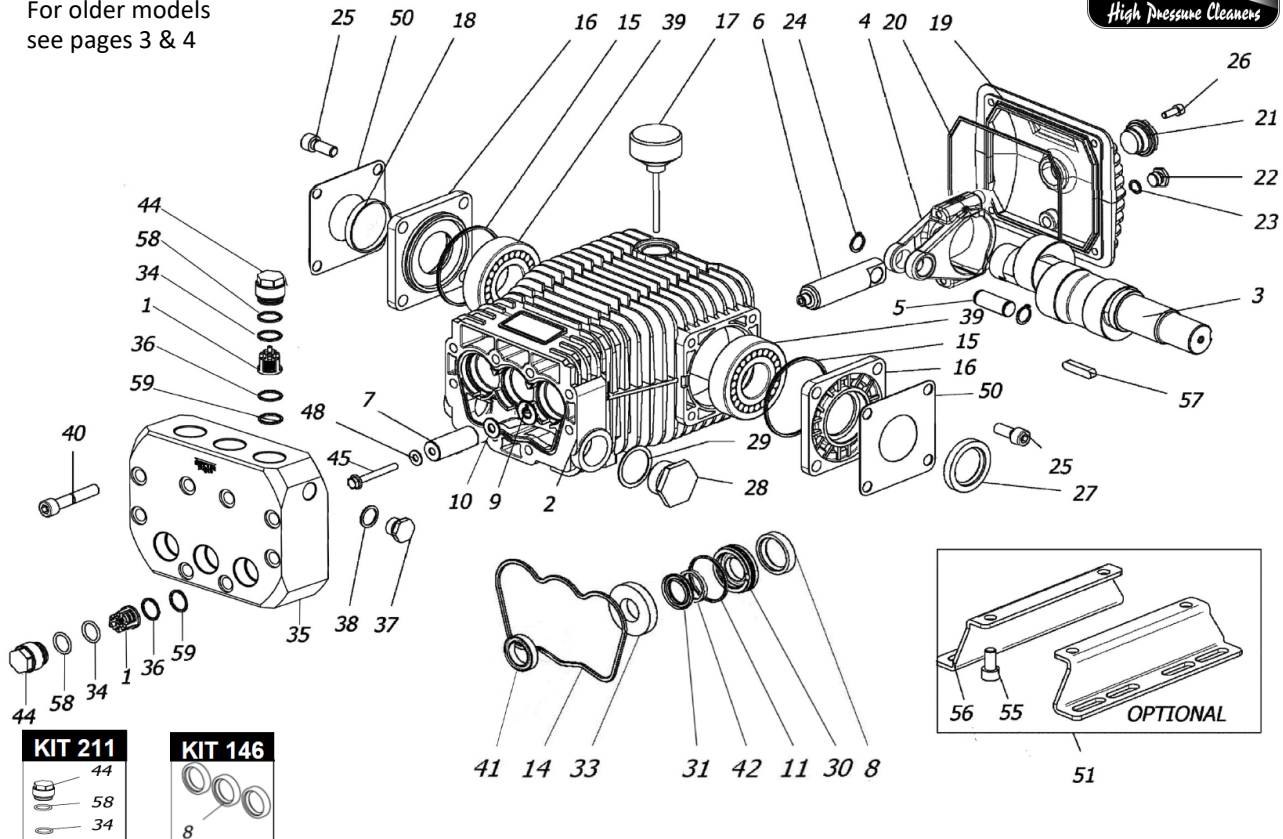
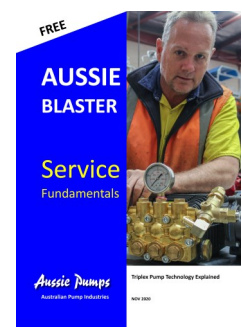


Premium series ...  
For older models  
see pages 3 & 4



### Bertolini Kits ... Rejuvenate your pump & SAVE, SAVE, SAVE

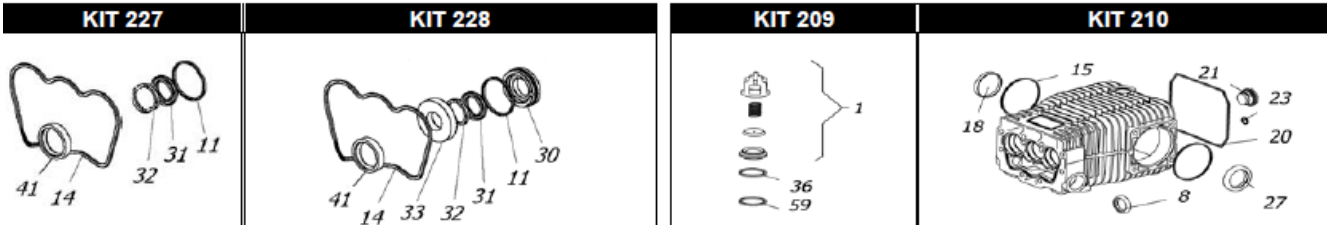
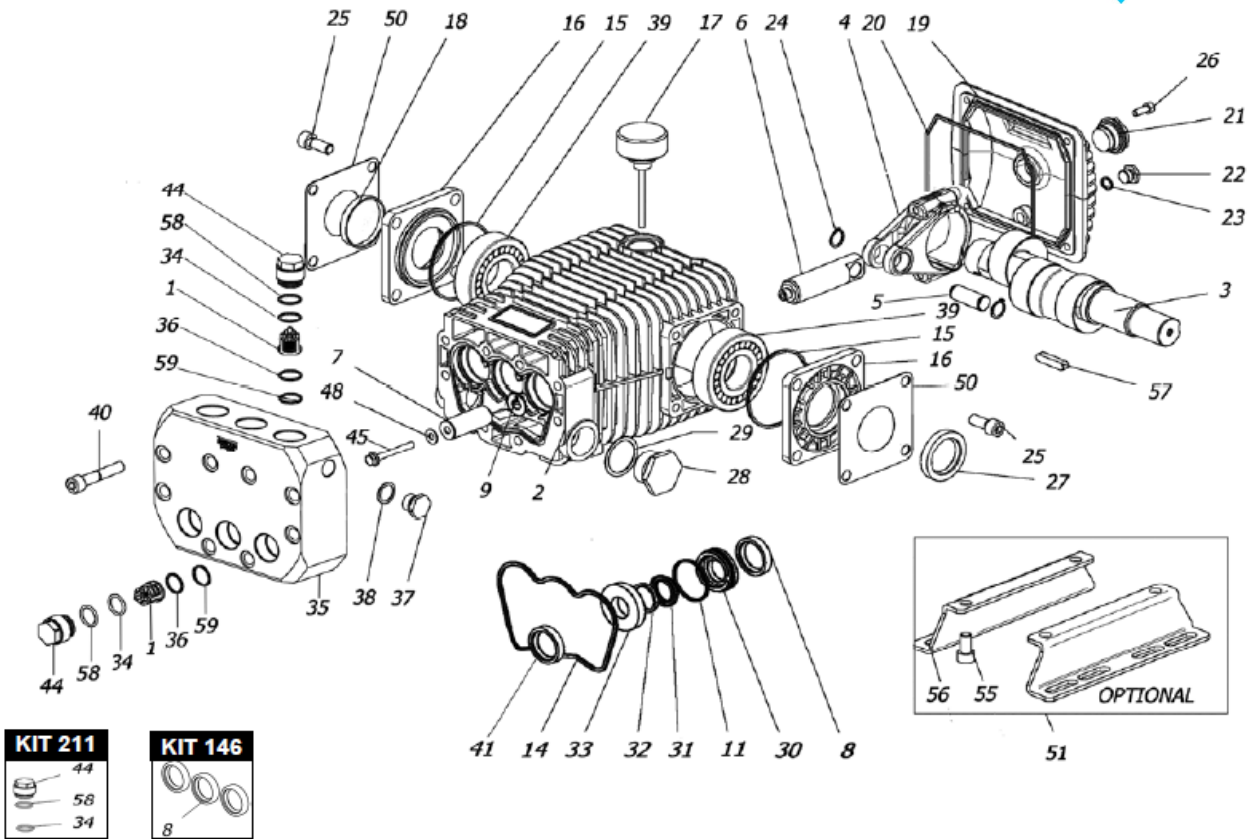
Kit No.	Description	List Price
BKIT210	Oil Seal & Sight Glass Kit (10 pieces)	\$120
BKIT209	Valve Kit (18 pieces)	\$324
BKIT277	Seal Kit Minor (13 pieces)	\$926
BKIT276	Seal Kit Major (19 pieces)	\$1,217
BKIT146	Oil Seal Kit (3 pieces)	\$80
BKIT211	Valve Cap Kit (12 pieces)	\$569
ATESTSET	Aussie pressure test set includes gauge and fitting for testing pump output pressure and Bertolini Pump Selection Guide	\$125



Click image or check online for troubleshooting guide & Aussie Blaster Service Fundamentals

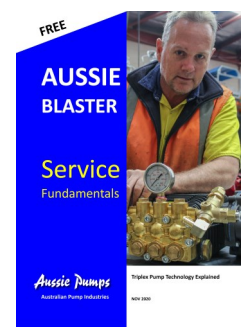


Position	Part Number	Description	Qty	List Price
1-kit 209	B089837973	VALVES ASSEMBLE	6	\$33
2	B080001092	PUMP CRANKCASE	1	\$505
3	B080241262	CRANKSHAFT RA 2450-P	1	\$896
3	B080246262	CRANKSHAFT RA 2150-P	1	\$896
3	B080253262	CRANKSHAFT RA 1850-P	1	\$896
3	B080254262	CRANKSHAFT RA 1650-P	1	\$896
4	B080289112	CONNECTING ROD	3	\$497
5	B080243492	PISTON PIN	3	\$52
6	B080270512	PLUNGER ROD	3	\$234
7	B080070182	CERAMIC PISTON D20	3	\$240
8-kit 146 - 210	B802092002	OIL SEAL D25	3	-
9	B843827002	WASHER	3	\$4
10	B080290512	PISTON SPACER	3	-
11-kit 276-277	B803080102	O-RING	3	-
14-kit 276-277	B080021312	PARTICULAR PROFILE GASKET	1	-
15-kit 210	B803210712	O-RING	2	-
16	B080249092	BEARING COVER	2	\$65
17	B060020322	OIL FILLER PLUG WITH DIP STICK	1	\$19
18-kit 210	B802099602	CAP	1	\$19
19	B080006092	CRANKCASE COVER	1	\$109
20-kit 210	B803210882	O-RING	1	-
21-kit 210	B853515502	OIL SIGHT GLASS	1	\$28
22	B852543502	PLUG G1/4X9	1	\$9
23-kit 210	B803057002	O-RING	1	-
24	B801140002	CIRCLIP	6	\$6
25	B863265002	BOLT M6 X 25 UNI	8	\$5
26	B862108002	BOLT M6 X 16 UNI	4	\$4
27-kit 210	B802143002	OIL SEAL	1	-
28	B852712002	PLUG G1	1	-
29	B824230002	GASKET	1	\$7
30-kit 276	B080118532	BACK GLAND D20	3	-
31-kit 276-277	B802301102	V PACKING 20 X 30	3	-
33-kit 276	B080114532	FRONT GLAND D 20	3	-
34-kit 211	B803182802	O-RING	6	-
35	B080236542	PUMP HEAD	1	\$1,795
36-kit 209	B803182802	O-RING	6	-
37	B852579002	PLUG G 3/8	1	\$9
38	B824109002	GASKET	1	\$4
39	B812871002	BEARING	2	\$242
40	B863576002	BOLT M10X 75 UNI	8	\$9
41-kit 276-277	B802066602	GASKET DIA. 20X30X9.4	3	-
44-kit 211	B080249542	VALVE CAP	6	-
45	B862415602	BOLT M6X50 DIN 6921 INOX	3	\$8
48	B843620052	COPPER WASHER	3	\$6
50	B060123612	SHEET	1	\$16
51	B089829973	MOUNTING RAILS KIT (OPTIONAL)	1	-
55	B863212002	BOLT M10X20 UNI 5931	4	\$5
56	B080053612	MOUNTING RAIL (OPTIONAL)	2	\$30
57	B806534002	TAB 8X7X35	1	\$7
58-kit 211	B080250542	ANTI EXTRUSION RING 22.4X18.4	6	-
59-kit 209	B080251542	ANTI EXTRUSION RING 22X17.5	6	-



**Bertolini Kits ... Rejuvenate your pump & SAVE, SAVE, SAVE**

Kit No.	Description	List Price
BKIT210	Oil Seal & Sight Glass Kit (10 pieces)	\$120
BKIT209	Valve Kit (18 pieces)	\$324
BKIT227	Seal Kit Minor (13 pieces)	\$926
BKIT228	Seal Kit Major (19 pieces)	\$1,217
BKIT146	Oil Seal Kit (3 pieces)	\$80
BKIT211	Valve Cap Kit (12 pieces)	\$569
ATESTSET	Aussie pressure test set includes gauge and fitting for testing pump output pressure and Bertolini Pump Selection Guide	\$125



Click image or check online for troubleshooting guide & Aussie Blaster Service Fundamentals

Position	Part Number	Description	Qty	List Price
1-kit 209	B089837973	VALVES ASSEMBLE	6	\$33
2	B080001092	PUMP CRANKCASE	1	\$505
3	B080241262	CRANKSHAFT RA2450	1	\$896
3	B080246262	CRANKSHAFT RA 2150	1	\$896
3	B080253262	CRANKSHAFT RA 1850	1	\$896
3	B080254262	CRANKSHAFT RA 1650	1	\$896
4	B080244112	CONNECTING ROD	3	\$497
5	B080243492	PISTON PIN	3	\$52
6	B080242512	PLUNGER ROD	3	\$234
7	B080070182	CERAMIC PISTON D20	3	\$240
8-kit 146 - 210	B802092002	OIL SEAL D25	3	-
9	B843826002	WASHER	3	\$4
11-kit 227- 228	B803080102	O-RING	3	-
14-kit 227- 228	B080021312	PARTICULAR PROFILE GASKET	1	-
15-kit 210	B803210712	O-RING	2	-
16	B080249092	BEARING COVER	2	\$65
17	B060020322	OIL FILLER PLUG WITH DIP STICK	1	\$19
18-kit 210	B802099602	CAP	1	-
19	B080006092	CRANKCASE COVER	1	\$109
20-kit 210	B803210882	O-RING	1	-
21-kit 210	B853515502	OIL SIGHT GLASS	1	\$28
22	B852543502	PLUG G1/4X9	1	\$9
23-kit 210	B803057002	O-RING	1	-
24	B801140002	CIRCLIP	6	\$6
25	B863265002	BOLT M6 X 25 UNI	8	\$5
26	B862108002	BOLT M6 X 16 UNI	4	\$4
27-kit 210	B802143002	OIL SEAL	1	-
28	B852712002	PLUG G1	1	-
29	B824230002	GASKET	1	\$7
30-kit 228	B080015532	BACK GLAND D20	3	-
31-kit 227-228	B802064002	V PACKING 20 X 30	3	-
32-kit 227-228	B380392322	THRUST RING	3	-
33-kit 228	B080018532	FRONT GLAND D 20	3	-
34-kit 211	B803182802	O-RING	6	-
35	B080236542	PUMP HEAD	1	\$1,795
36-kit 209	B803182802	O-RING	6	-
37	B852579002	PLUG G 3/8	1	\$9
38	B824109002	GASKET	1	\$4
39	B812871002	BEARING	2	\$242
40	B863576002	BOLT M10X 75 UNI	8	\$9
41-kit 227-228	B802066602	GASKET DIA. 20X30X9.4	3	-
44-kit 211	B080249542	VALVE CAP	6	-
45	B862401002	BOLT M6X50 DIN 6921 INOX	3	\$32
48	B843620052	COPPER WASHER	3	\$6
50	B060123612	SHEET	1	\$16
51	B089829973	MOUNTING RAILS KIT (OPTIONAL)	1	-
55	B863212002	BOLT M10X20 UNI 5931	4	\$5
56	B080053612	MOUNTING RAIL (OPTIONAL)	2	\$30
57	B806534002	TAB 8X7X35	1	\$7
58-kit 211	B080250542	ANTI EXTRUSION RING 22.4X18.4	6	-
59-kit 209	B080251542	ANTI EXTRUSION RING 22X17.5	6	-