

**PARTS IDENTIFICATION**



Use engine & pump model to identify your machine: Note: for diesel powered blasters just use pump model

Model	Stock Code	Engine	Engine model	Pump Model	Pump Pressure (psi)	Flow rate (lpm)	Pump rpm
BB100	ABB100H-MOBI	Honda 6.5HP	GX200	WBL1111	1500	11	1450
BB350	ABB350HE-MOBI	Honda 13HP	GX390	TTL1520	3000	15	1450
BB400	ABB400H-MOBI	Honda 13HP	GX390	TTL1330	4000	13	1450
BB Ultra	ABBULTRA-MOBI	Honda 23HP e/s	GX630	TTK 2130	4000	20	1450
Predator Plus	ABPREDATOR-MOBI	Honda 28HP e/s	GX690	RAL2035-P	5000	20	1450
Python	ABPYTHON-MOBI	Vanguard		RAS4482-P	4300	31	1450

## REPLACEMENT PARTS

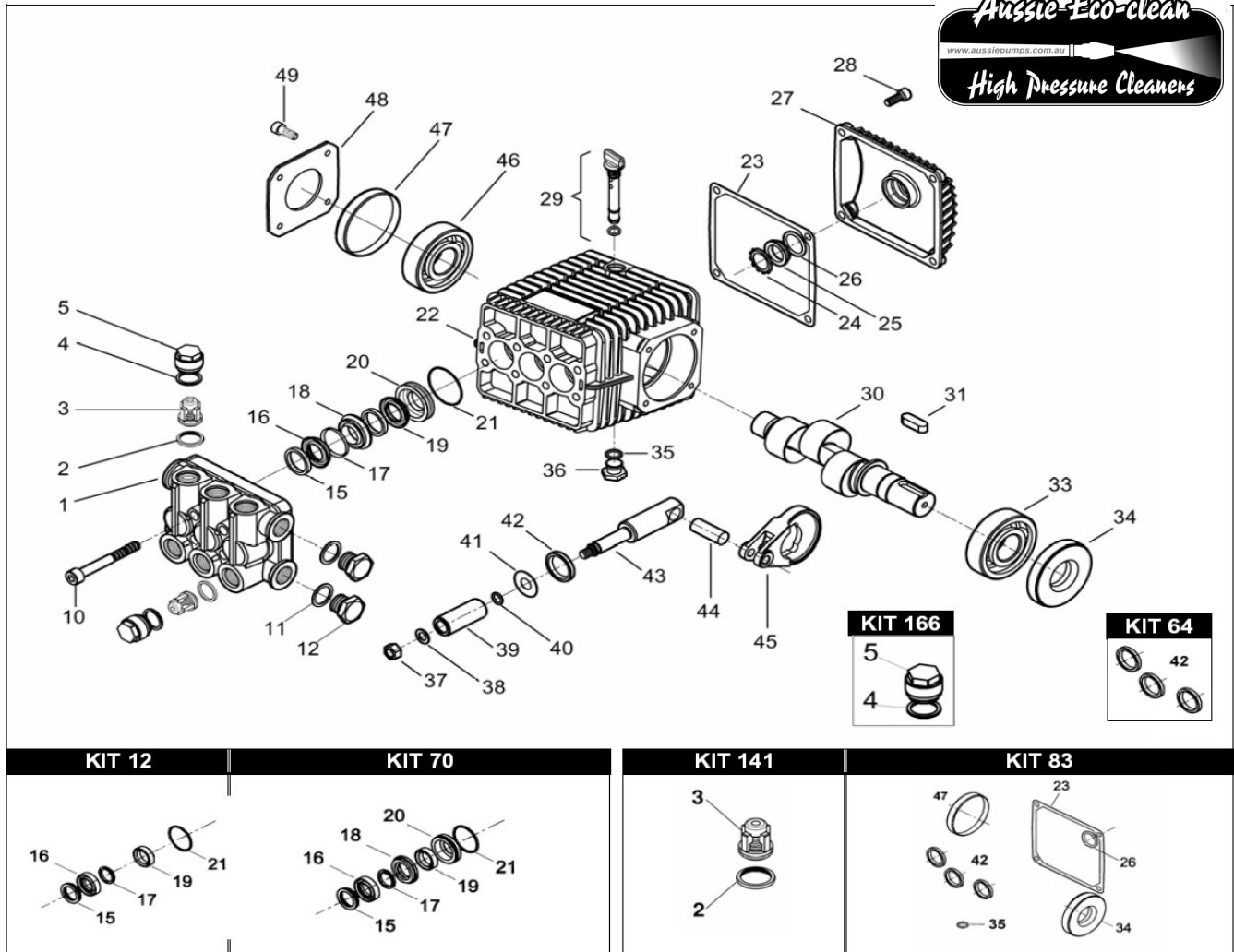
Position	Part No	Description	BB 100	BB 350	BB 400	BB 400 Yanmar	Ultra	Predator +	Python	
	<b>Nozzles</b>									
A	C915030M	HP NOZZLE (15° ANGLE, TIP SIZE 30)				x				
	C915045M	HP NOZZLE (15° ANGLE, TIP SIZE 45)		x				x		
	C915035M	HP NOZZLE (15° ANGLE, TIP SIZE 35)	x		x					
	C915055M	HP NOZZLE (15° ANGLE, TIP SIZE 55)					x			
	C915070M	HP NOZZLE (15° ANGLE, TIP SIZE 70)							x	
B	C915500MSS	LP DETERGENT NOZZLE		x	x	x	x			
	<b>Lance</b>									
C	C3924.01	684MM SS DOUBLE LANCE C/W BOOT	x	x	x	x	x			
	C3905.15	900M SS SINGLE LANCE						x	x	
	<b>Gun</b>									
D	M4022209003	AL55 GUN WITH MELTED HANDLE & QC	x	x	x	x	x			
	CGPDG5010	5000 PSI RATED AL35 GUN & QC						x	x	
	<b>Hose</b>									
E	AHW06FB6FB6X30	30 MTR HP HOSE (R2, 5800 PSI)	x	x	x	x	x	x	x	
	<b>Unloader</b>									
F	APRI-20	UNLOADER VALVE (2000 PSI)	x							
	M215010400	UNLOADER VALVE (4000 PSI)		x						
	BVB350	UNLOADER VALVE (5100 PSI)			x	x	x	x	x	
	<b>Safety Valves</b>									
H	MTM00033003	3600 PSI SAFETY VALVE	x	x						
	MPA60156000	4000 PSI SAFETY VALVE			x	x	x			
	BVS350	5650 PSI SAFETY VALVE						x	x	
	<b>Inlet Strainer</b>									
I	AY STRAINER 3/4	PUMP SAVER FILTRATION SYSTEM	x	x	x	x	x	x	x	
	<b>Gauge</b>									
J	AGCDR0102	6000 PSI GAUGE	x	x	x	x	x	x	x	
	<b>Chemical Injector</b>									
K	FZX1763	INJECTOR kit complete		x	x	x	x			
	<b>Pumps</b>									
L	BWBL1111	BERTOLINI PUMP (1500 PSI, 11 LPM)	x							
	B TTL1520	BERTOLINI PUMP (3000 PSI, 15 LPM)		x						
	B TTL2120	BERTOLINI PUMP (3000 PSI, 21 LPM)								
	B TTL1330	BERTOLINI PUMP (4000 PSI, 13 LPM)			x	x				
	B TTK2130	BERTOLINI PUMP (4300 PSI, 21 LPM)					x			
	BRAL2035-P	BERTOLINI PUMP (5000 PSI, 20 LPM)						x		
	BRAS4482-P	BERTOLINI PUMP (4300 PSI, 31 LPM)							x	
	<b>Gearboxes</b>									
M	B318699973	GEARBOX (3/4" PTO)	x							
	B318870973	GEARBOX (1" PTO)		x	x	x				
	B319110973	GEARBOX (1" PTO)					x			
	B318880973	GEARBOX (1 1/8" PTO)						x	x	
	<b>Hose Reel</b>									
N	A4118-REEL	5000 PSI RATED HOSE REEL ONLY	x	x	x	x	x	x	x	
O	A41418-LP ASSY	LOW PRESSURE REEL COMPLETE WITH 30M SUPPLY HOSE	x	x	x	x	x	x	x	
	Base (for petrol drive versions only - contact API for diesel drive frames)									
P	AMOBIBASE	SKID BASE	x	x	x	x	x	x	x	
	<b>Engine Mounts</b>									
Q	AENGINEMOUNTBB300	ENGINE MOUNTS (4 NEEDED)	x	x	x	x	x	x	x	

Order the right part first time ...

specify the pump model number when ordering parts.

Full parts breakdown available online ... [www.aussiepumps.com.au](http://www.aussiepumps.com.au)

**PUMP PARTS WBL 1111 (BB 100)**



Kit No.	Part No.	Description
141	B019826973	Valve Kit (12 pieces)
12	B049813973	Seal Kit Minor (15 pieces)
70	B049841973	Seal Kit Major (21 pieces)
83	B049847973	Oil Seal Kit (8 pieces)

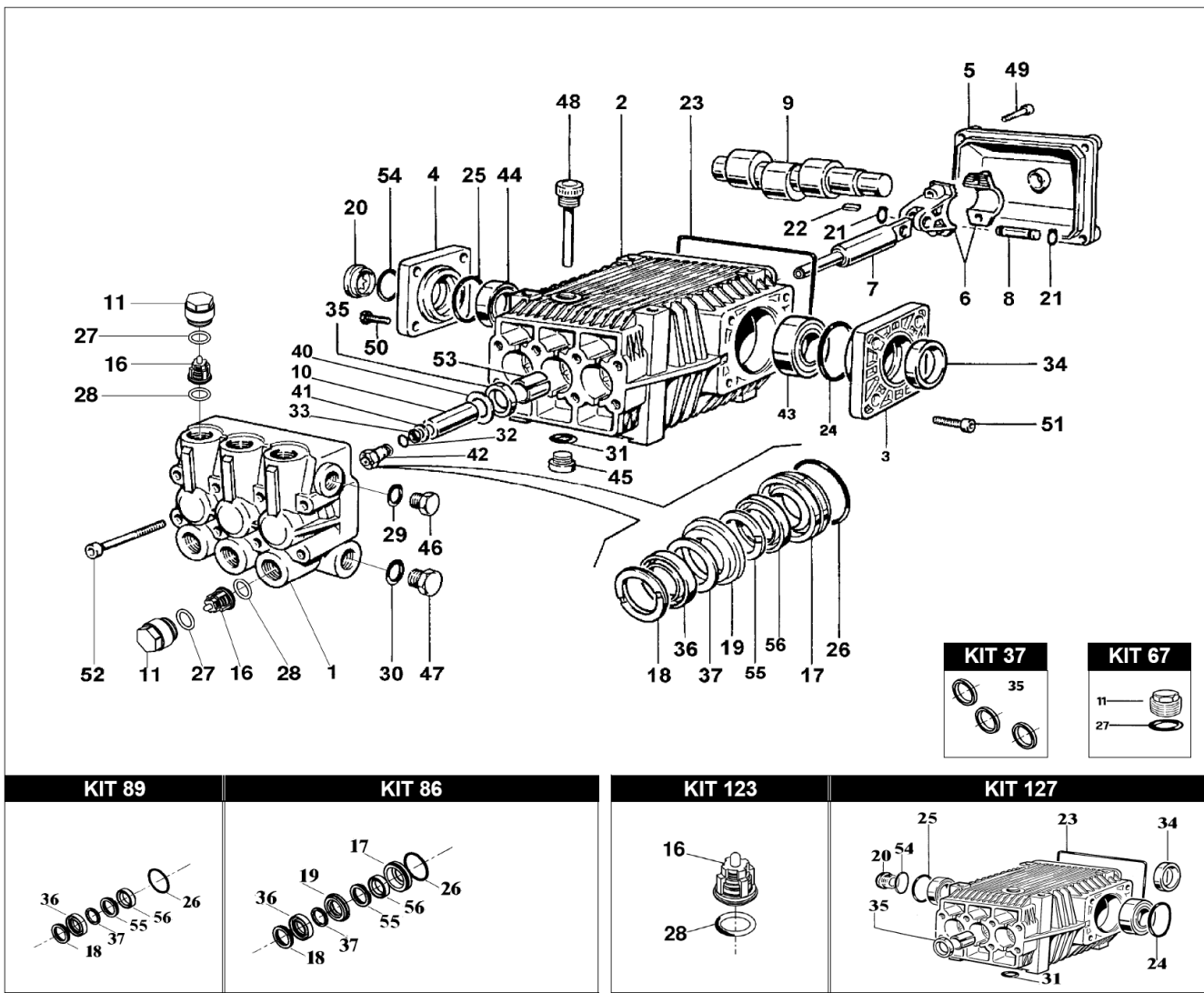
Order the right part first time ... specify the pump model number when ordering parts.

Full parts breakdowns available online ... [www.aussiepumps.com.au](http://www.aussiepumps.com.au)



FREE pump service guide available

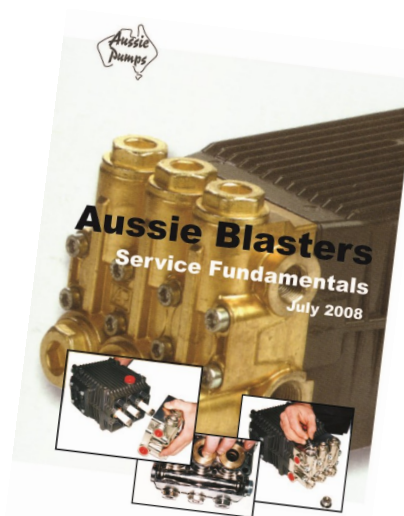
**PUMP PARTS TTL 1520 TTL 2120 (BB 350, BB 351)**



Kit No.	Description	Pieces
127	Oil Seal & Sight Glass Kit	10
123	Valve Kit	12
89	Seal Kit Minor	18
86	Seal Kit Major	24
37	Oil Seal Kit	3
67	Valve cap kit	12

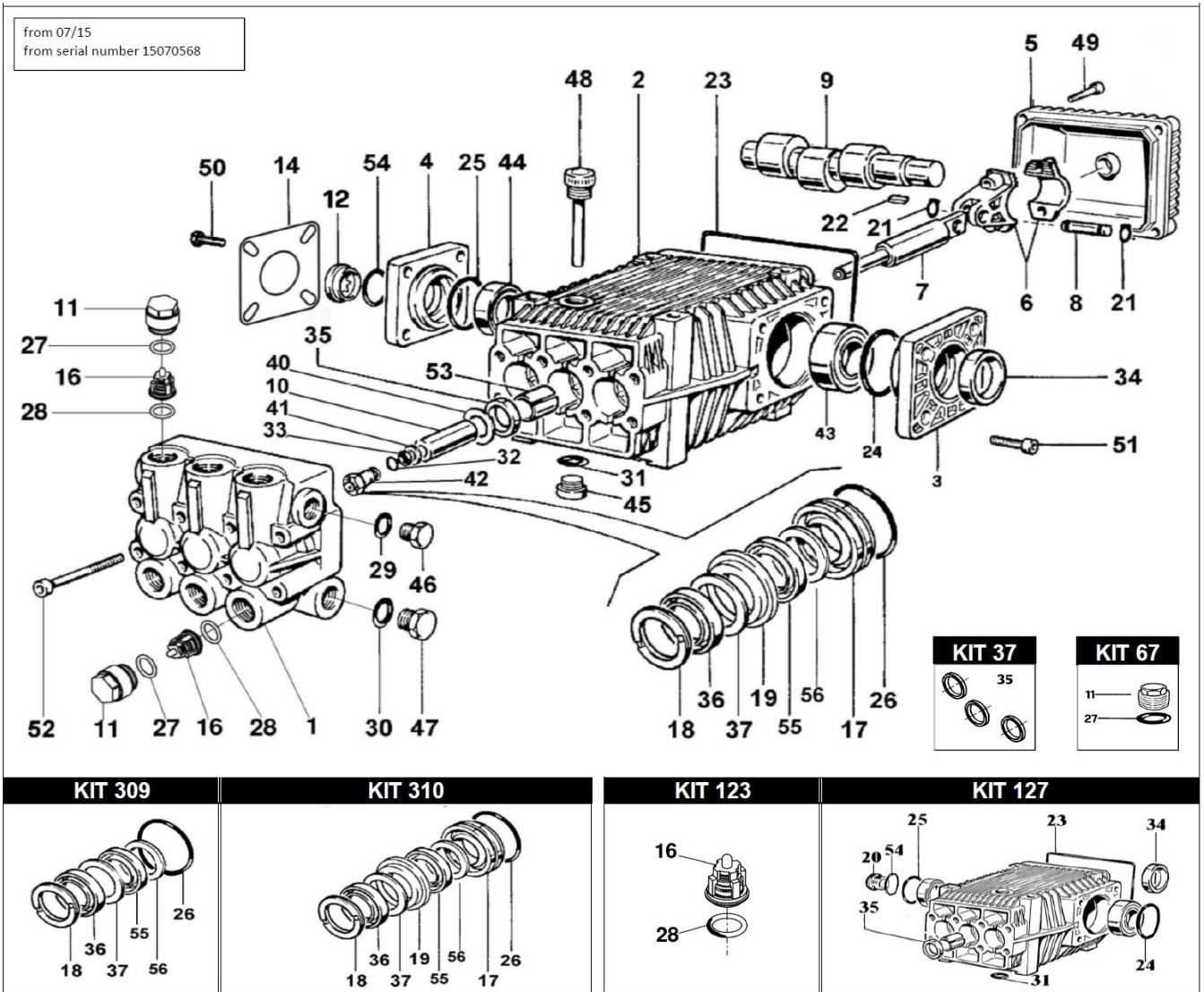
Order the right part first time ... specify the pump model number when ordering parts.

Full parts breakdowns available online ... [www.aussiepumps.com.au](http://www.aussiepumps.com.au)



FREE pump service guide available

**PUMP PARTS TTL1330 (BB 400 )**



Kit No.	Description	Pieces
127	Full Oil seal & Sight Glass kit	10
123	Valve Kit	12
309	Seal Kit Minor	18
310	Seal Kit Major	24
37	Oil Seal Kit	3
67	Valve cap kit	12

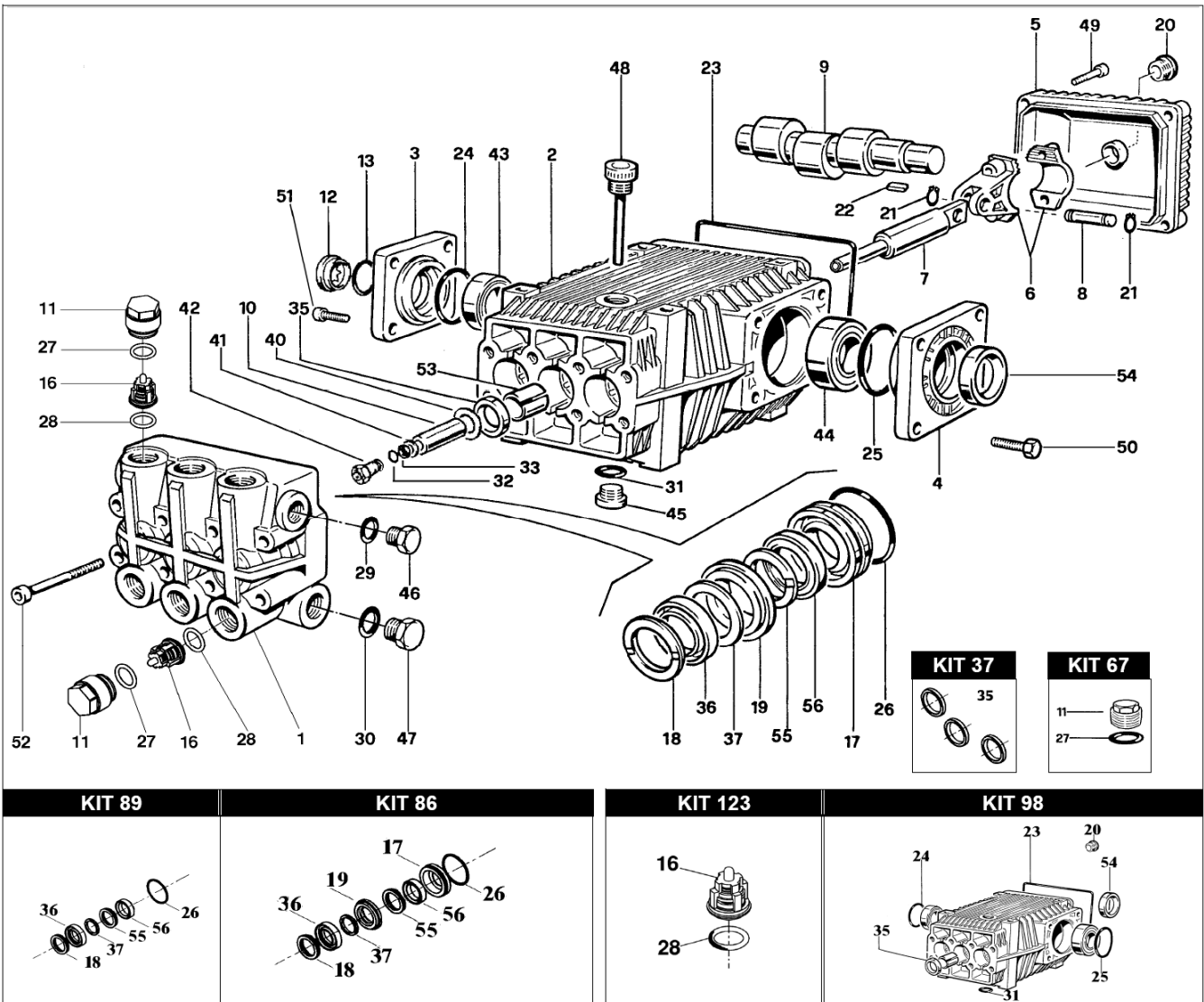
Order the right part first time ... specify the pump model number when ordering parts.

Full parts breakdowns available online ... [www.aussiepumps.com.au](http://www.aussiepumps.com.au)



FREE pump service guide available

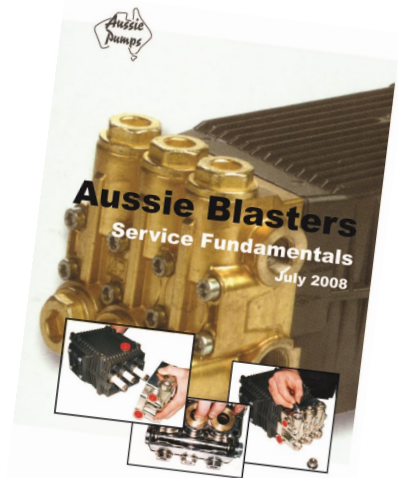
**PUMP PARTS TTK 2130 (Ultra )**



Kit No.	Description	Pieces
98	Full Oil seal kit	9
123	Valve Kit	12
89	Seal Kit Minor	18
86	Seal Kit Major	24
37	Oil Seal Kit	3
67	Valve cap kit	12

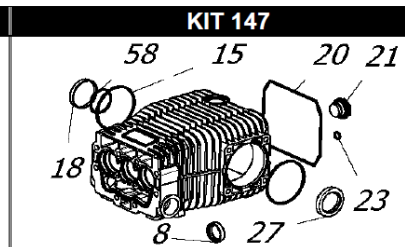
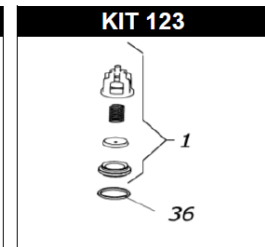
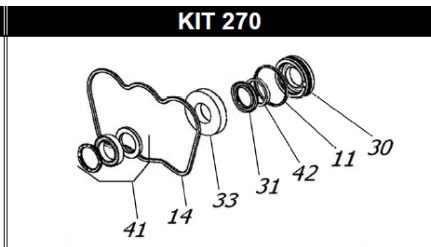
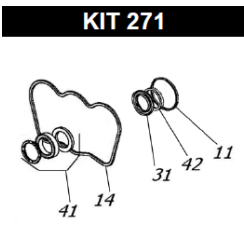
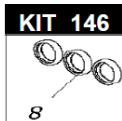
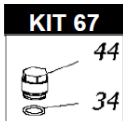
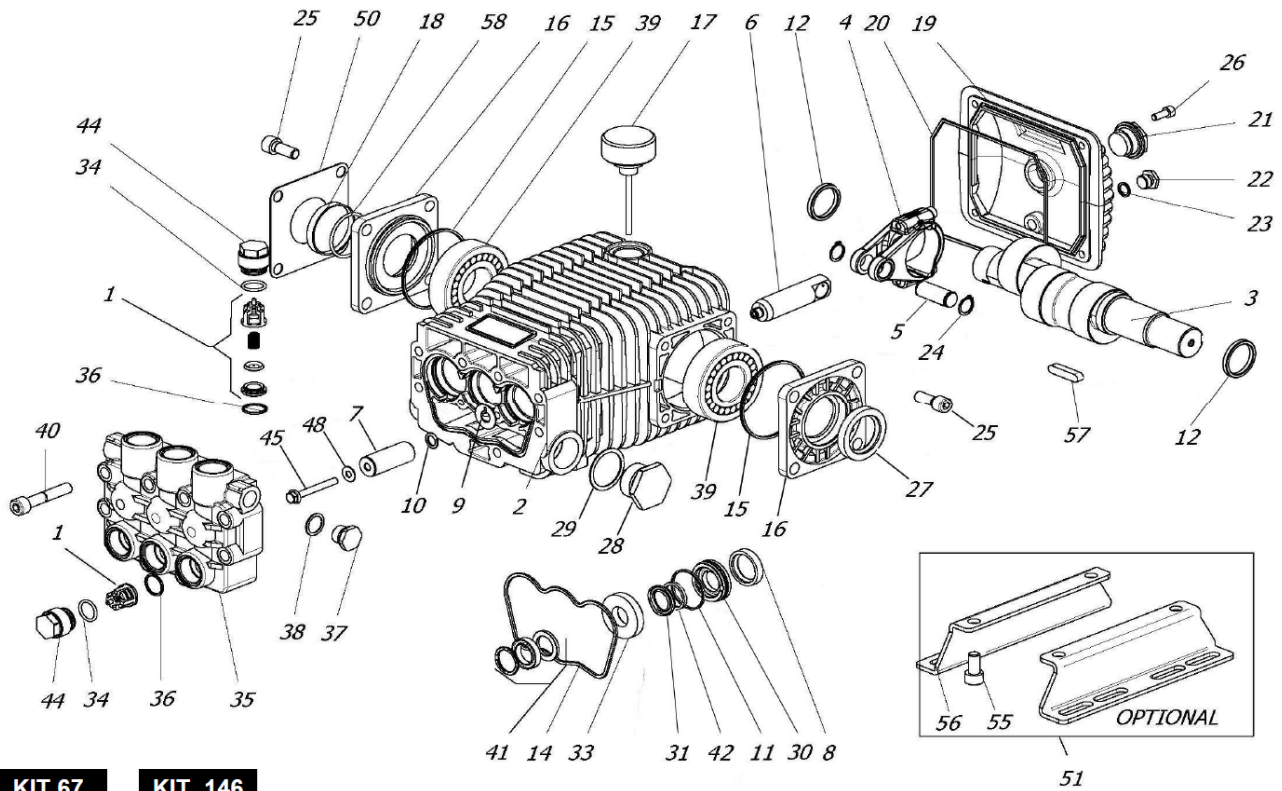
Order the right part first time ... specify the pump model number when ordering parts.

Full parts breakdowns available online ... [www.aussiepumps.com.au](http://www.aussiepumps.com.au)



FREE pump service guide available

**PUMP PARTS RAL 2035-P, RAL 2535-P (Predator Plus)**



Kit No.	Description	Pieces
123	VALVE KIT	12
271	SEAL KIT MINOR	19
270	SEAL KIT MAJOR	25
146	OIL SEAL KIT	3
67	CAP KIT	12
147	O-RING & SIGHT GLASS KIT	11

Order the right part first time ... specify the pump model number when ordering parts.

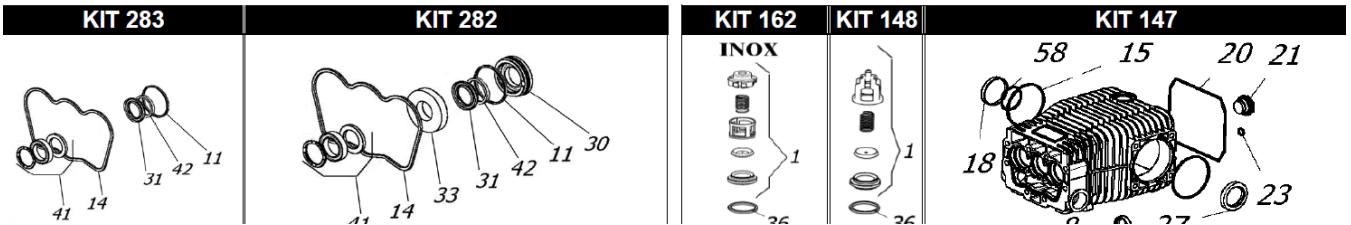
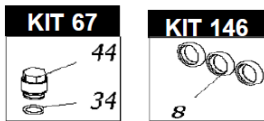
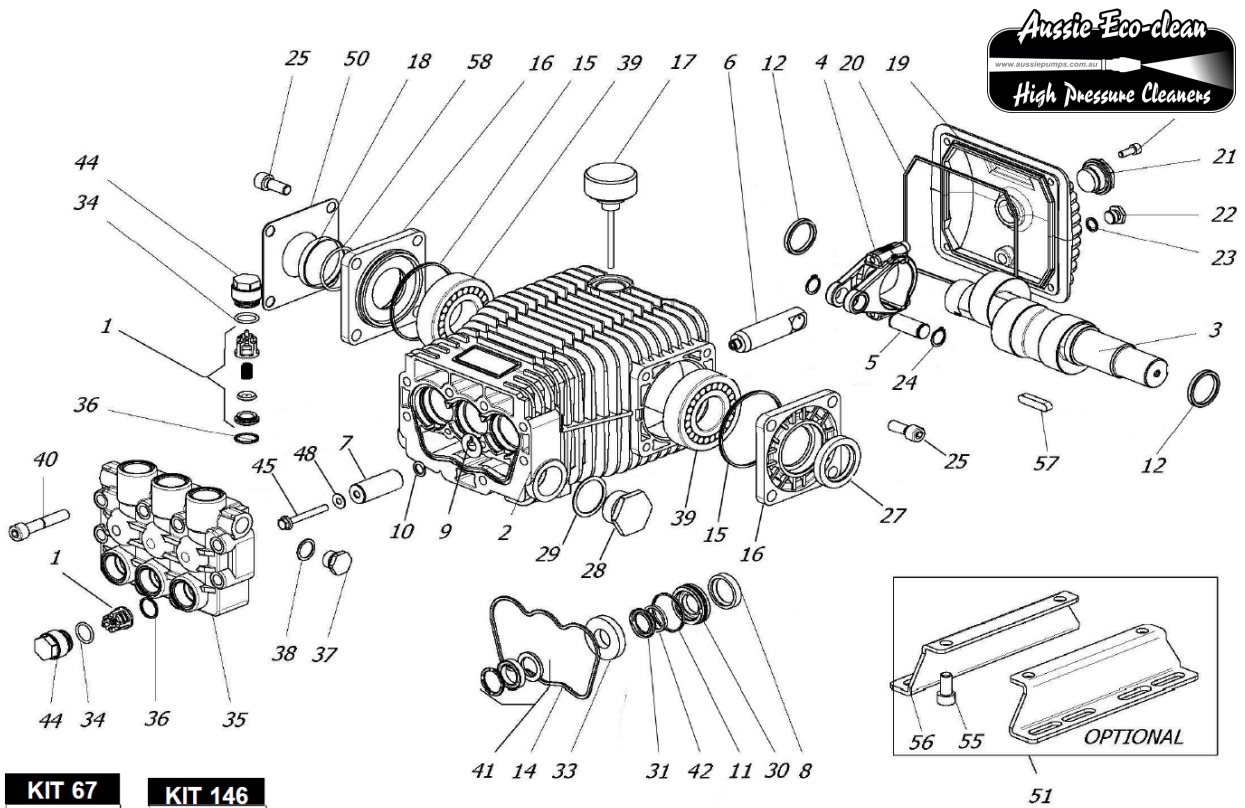
Full parts breakdowns available online ... [www.aussiepumps.com.au](http://www.aussiepumps.com.au)



FREE pump service guide available



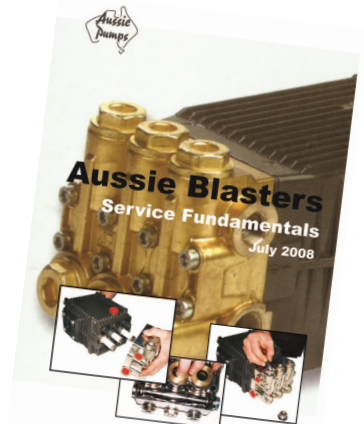
**PUMP PARTS RAS 4482-P (Python)**



Kit No.	Part No.	Description	Pieces
148	BKIT148	VALVE KIT	12
283	BKIT153	SEAL KIT MINOR	19
282	BKIT152	SEAL KIT MAJOR	25
146	BKIT146	OIL SEAL KIT	3
67	BKIT67	CAP KIT	12
147	BKIT147	O-RING & GLASS KIT	11

Order the right part first time ... specify the pump model number when ordering parts.

Full parts breakdowns available online ... [www.aussiepumps.com.au](http://www.aussiepumps.com.au)



**BERTOLINI®**  
pumps  
4 year warranty

FREE pump service guide available